



Chipsmall Limited consists of a professional team with an average of over 10 year of expertise in the distribution of electronic components. Based in Hongkong, we have already established firm and mutual-benefit business relationships with customers from,Europe,America and south Asia,supplying obsolete and hard-to-find components to meet their specific needs.

With the principle of “Quality Parts,Customers Priority,Honest Operation,and Considerate Service”,our business mainly focus on the distribution of electronic components. Line cards we deal with include Microchip,ALPS,ROHM,Xilinx,Pulse,ON,Everlight and Freescale. Main products comprise IC,Modules,Potentiometer,IC Socket,Relay,Connector.Our parts cover such applications as commercial,industrial, and automotives areas.

We are looking forward to setting up business relationship with you and hope to provide you with the best service and solution. Let us make a better world for our industry!



Contact us

Tel: +86-755-8981 8866 Fax: +86-755-8427 6832

Email & Skype: info@chipsmall.com Web: www.chipsmall.com

Address: A1208, Overseas Decoration Building, #122 Zhenhua RD., Futian, Shenzhen, China



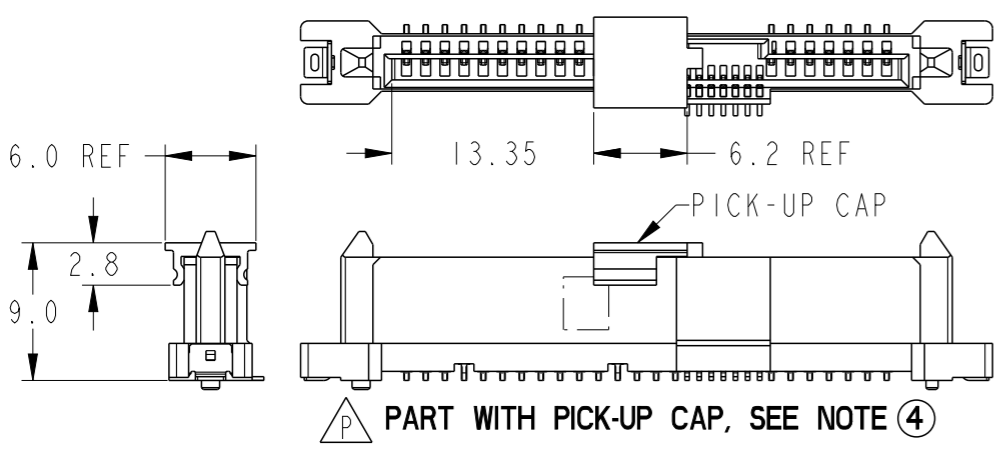
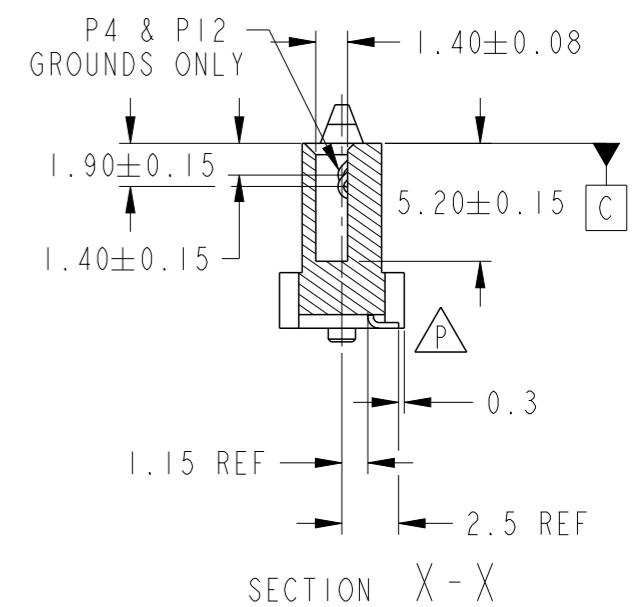
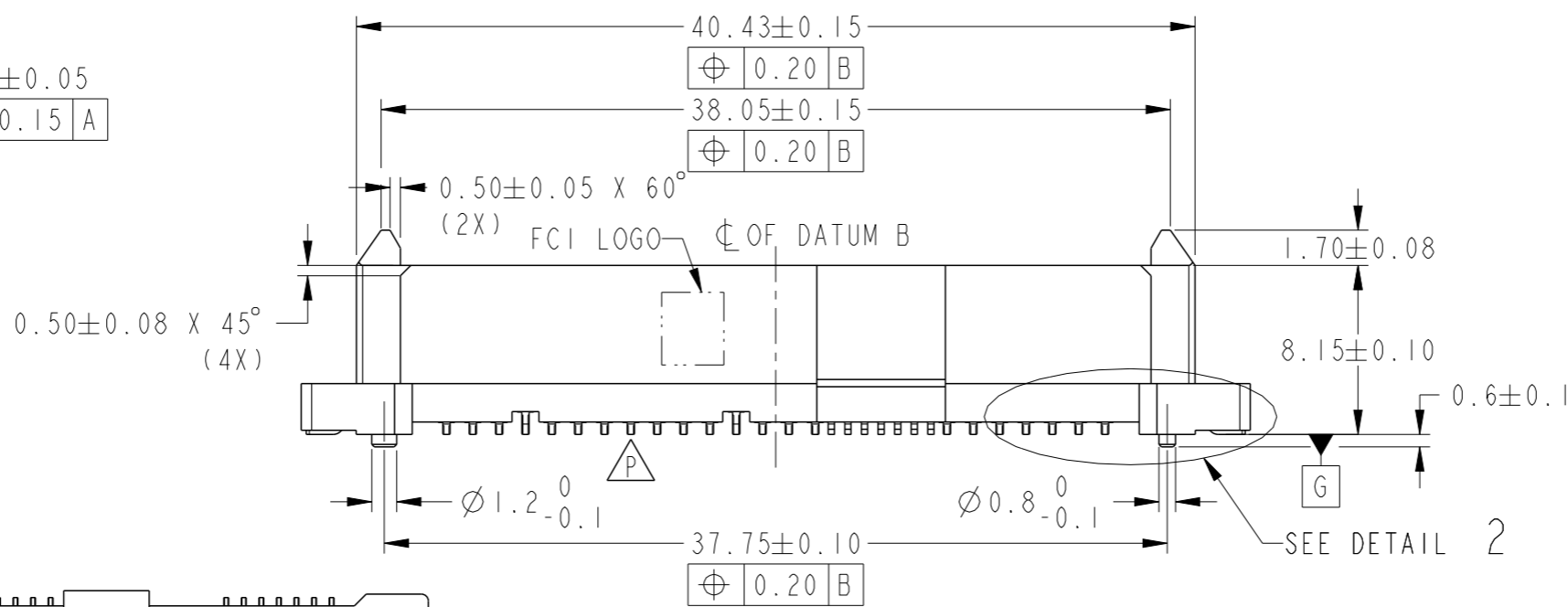
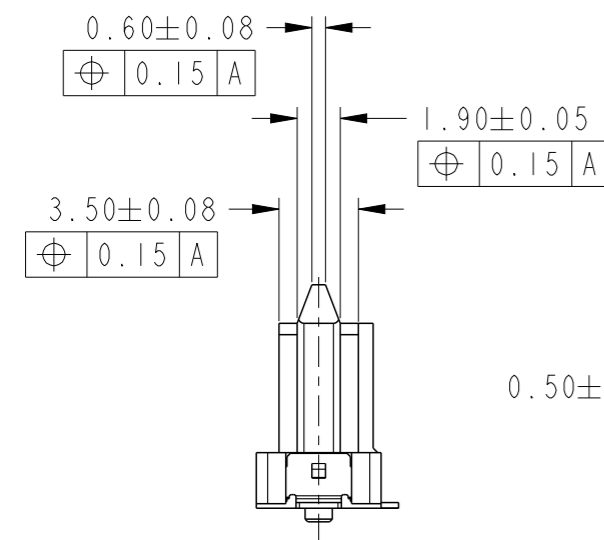
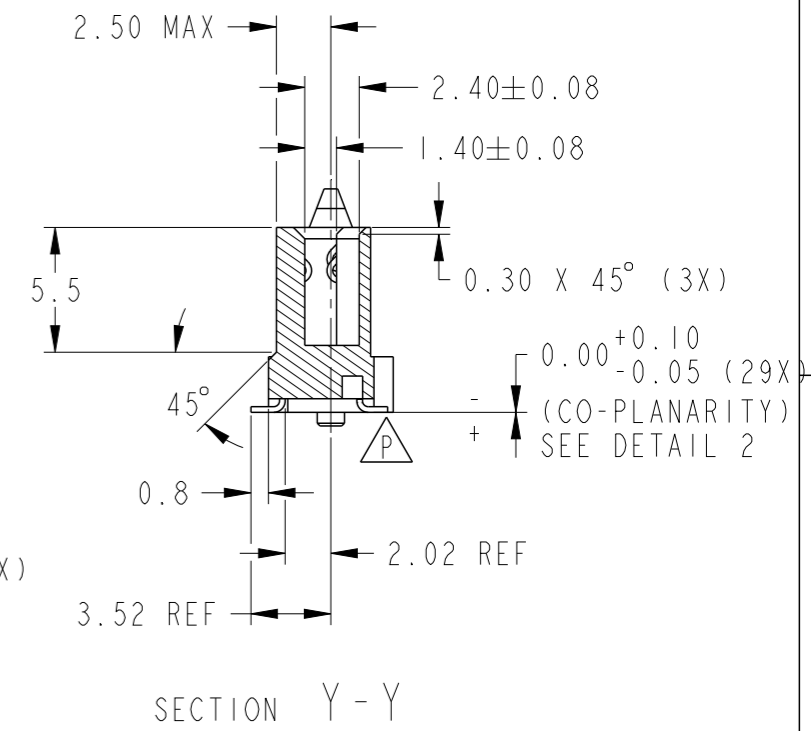
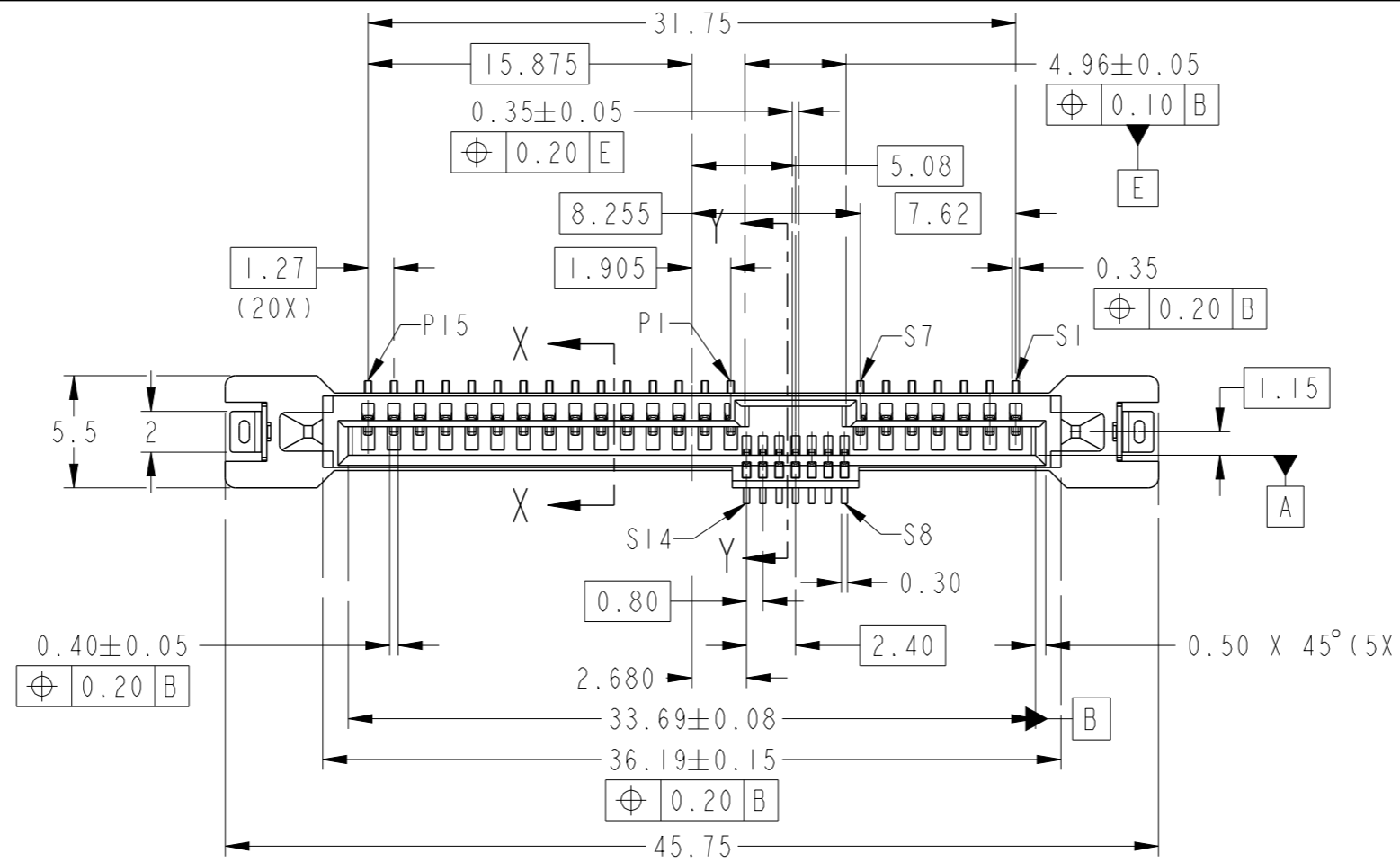
PRODUCT NO
SEE TABLE

A

B

C

D



spec ref	-	dr	Louis Ng	2011/10/03	projection	MM	size	A3	scale	1:1
tolerance std	ISO 406 ISO 1101	eng	Noorhazlinda	2017/04/21			ecn no	ELX-M-26756-1	rel level	Released
TOLERANCES UNLESS OTHERWISE SPECIFIED		chr	-	product family						
surface	linear	0.X	±		SAS RECEPTACLE VERTICAL SMT TYPE ASSY	dwg no	10031567	rev	P	
		0.XX	±0.20							
	angular	0°	±2°							
cat. no.					-	Product - Customer Drw		sheet 1 of 3		

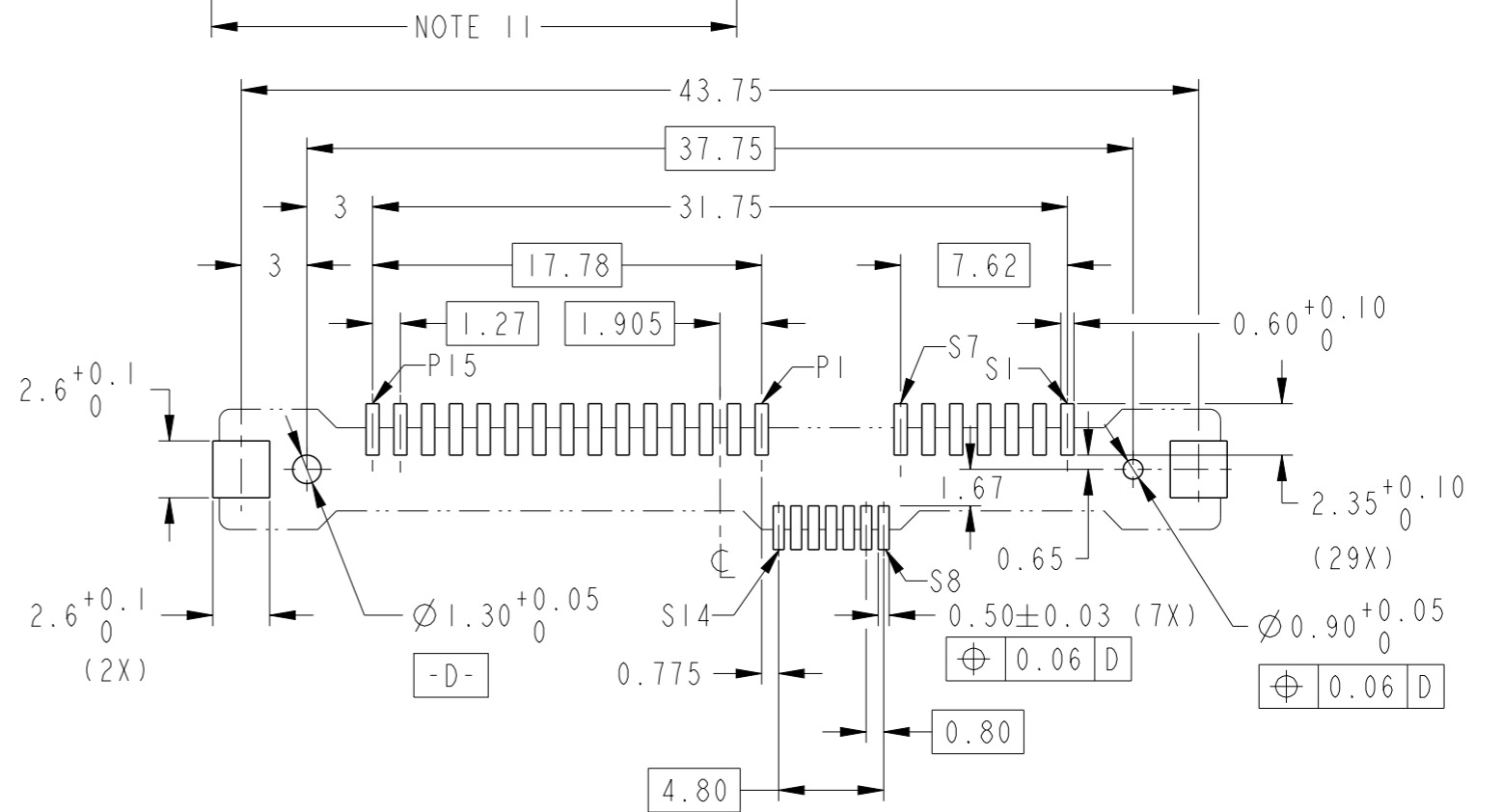
Amphenol FCI

© 2016 AFCI

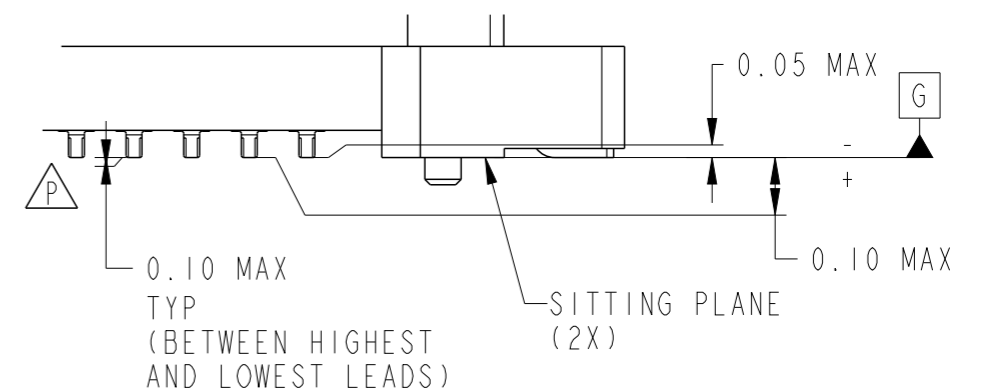
PRODUCT NO	METAL CLIP	PLATING	PICK-UP CAP	PACKAGING	REMARKS	PRODUCT NO	PLATNG
10031567-001LF	2 PCS	NOTE 2	NO	TRAY	NOTE ⑧	10031567-401LF	NOTE ⑪
10031567-001CLF			YES		NOTE ④ & ⑧	10031567-401CLF	
10031567-001C-TRLF			YES	TAPE & REEL	NOTE ④ ⑥ & ⑧	10031567-401C-TRLF	

NOTES:

1. MATERIAL :
 - 1) HOUSING : HIGH TEMP THERMOPLASTIC, UL 94V-0
 - COLOR : BLACK
 - 2) TERMINAL : COPPER ALLOY
 - 3) HOLD DOWN : COPPER ALLOY
- ② FINISH :
 - 1) TERMINAL : 30 μ m Au PLATING (CONTACT POINT) OVER 50 μ m NICKEL
 - 2) SOLDER TAIL : 100 μ m MIN Sn OVER 50 μ m NICKEL
 - 3) HOLD DOWN : 100 μ m MIN Sn OVER 50 μ m NICKEL
3. PER SFF REV 1.1, EXCEPT 0.8mm PITCH BUMP AREA.
- ④ PART WITH PICK-UP CAP, P/N XXXXXXXX-XXXC LF.
- ⑤ THE STD PACKAGING IS IN TRAY UNLESS OTHERWISE SPECIFIED.
- ⑥ PART NUMBER WITH SUFFIX "-TR" MEANS FOR TAPE & REEL PACKAGING (E.G. P/N: XXXXXXXX-XXXC-TRLF).
7. THE HOUSING WILL WITHSTAND EXPOSURE TO 260°C PEAK TEMPERATURE FOR 10 SECONDS IN A CONVECTION, INFRA-RED OR VAPOR PHASE REFLOW OVEN.
- ⑧ THIS PRODUCT MEETS EUROPEAN UNION DIRECTIVES AND OTHER COUNTRY REGULATIONS AS DESCRIBED IN GS-22-008.
- ⑨ PART NUMBERS ENDING IN "LF" MEANS FOR NOTE 8 LEAD FREE IDENTIFICATION
 - (i) ~~XXXXXXXX-XXXLF IS EQUIVALENT TO PREVIOUS P/N XXXXXXXX-XXX~~
 - (ii) ~~XXXXXXXX-XXXCLF IS EQUIVALENT TO P/N XXXXXXXX-XXXC~~
 - (iii) ~~XXXXXXXX-XXXC-TRLF IS EQUIVALENT TO P/N XXXXXXXX-XXXC-TR~~
- ⑩ A \triangle SYMBOL WILL BE NEXT TO ANY DIMENSION, VIEW, OR NOTE WHICH HAS BEEN MODIFIED WITH THE CURRENT DRAWING REVISION.
- ⑪ FINISH :
 - 1) TERMINAL : 15 μ m GXT PLATING (CONTACT POINT) OVER 50 μ m NICKEL
 - 2) SOLDER TAIL : 100 μ m MIN Sn OVER 50 μ m NICKEL
 - 3) HOLD DOWN : 100 μ m MIN Sn OVER 50 μ m NICKEL



RECOMMENDED PCB LAYOUT



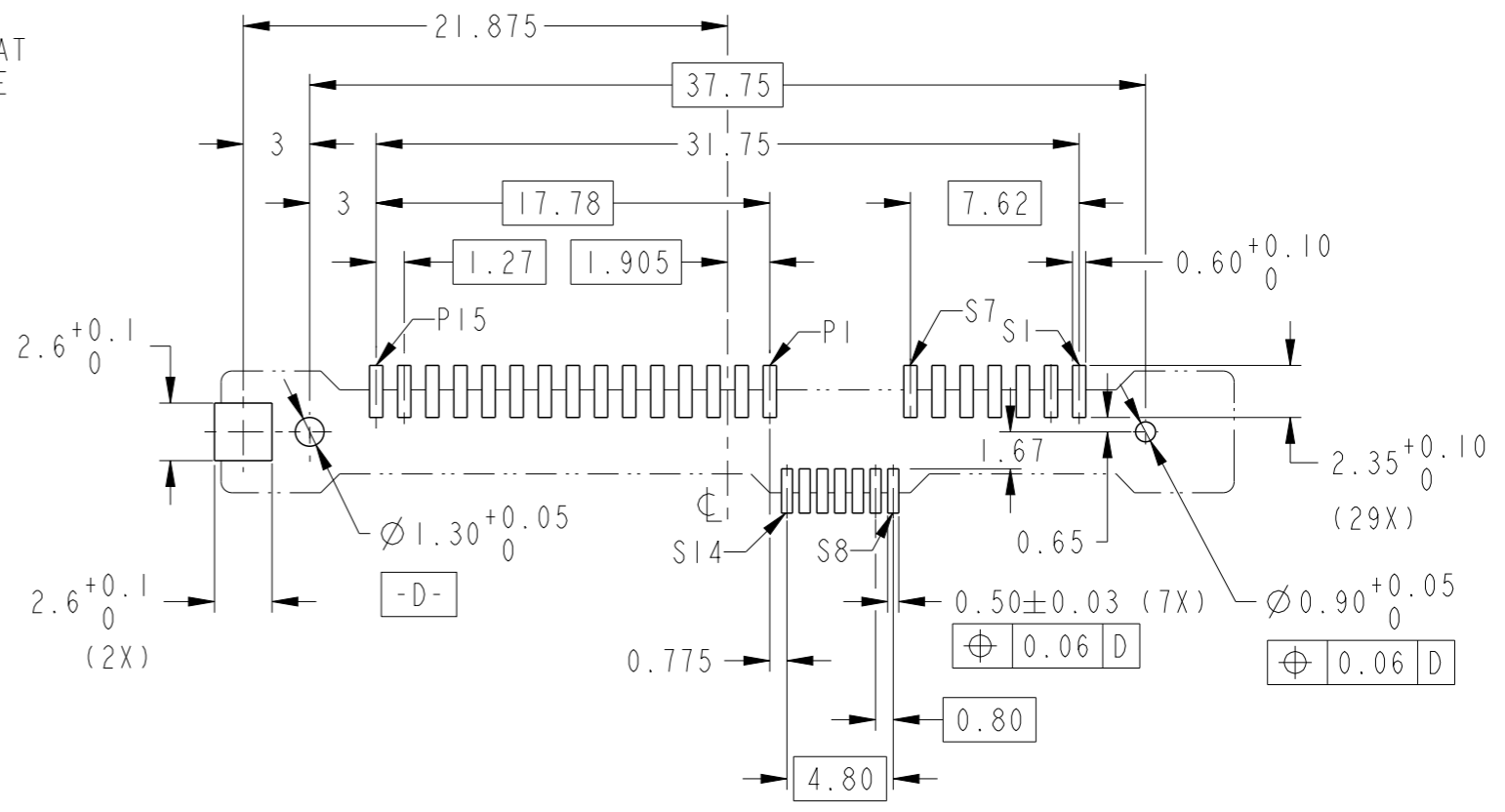
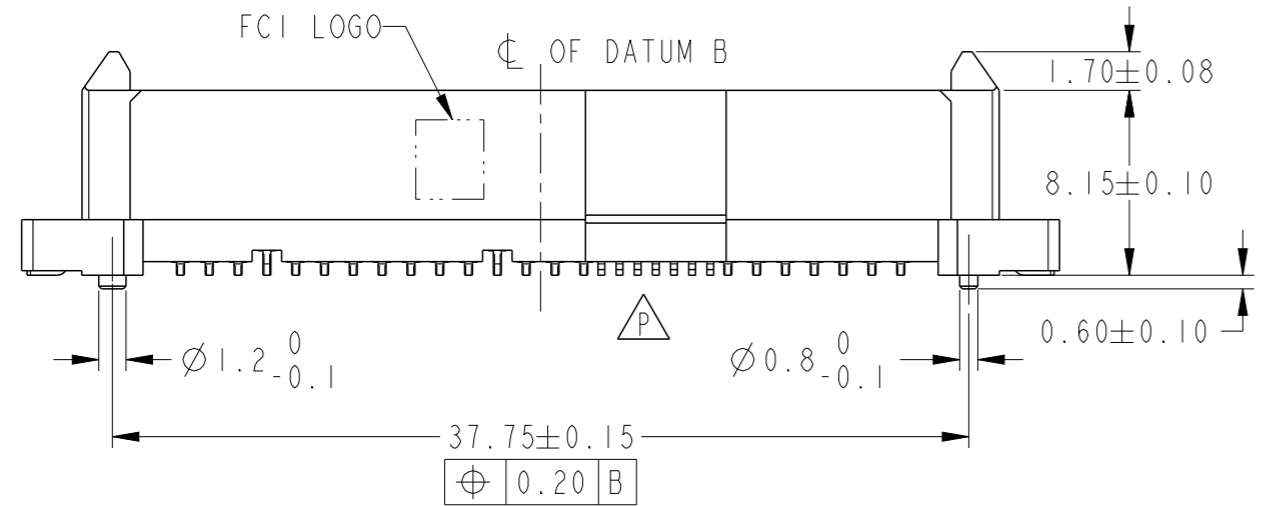
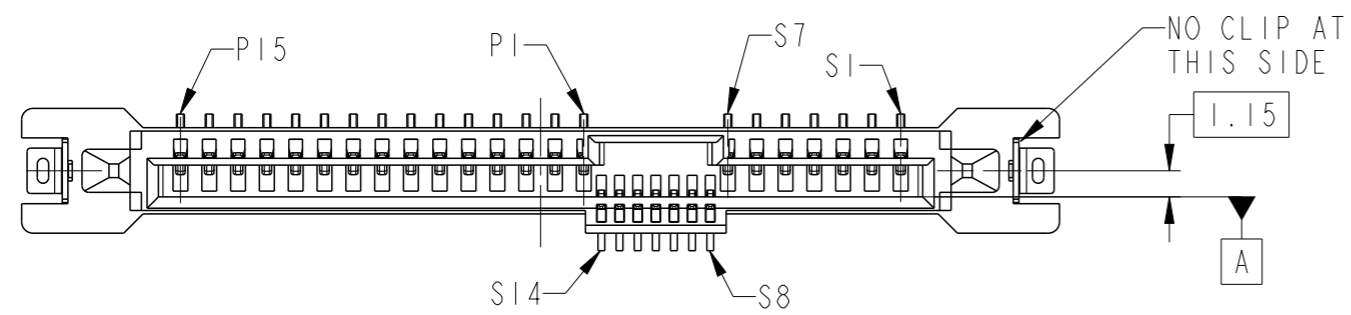
DETAIL 2
SCALE 6:1

spec ref	-	dr	Louis Ng	2011/10/03	projection	MM	size	A3	scale	1:1		
tolerance std	ISO 406 ISO 1101	eng	Noorhazlinda	2017/04/21			ecn no				ELX-M-26756-1	
surface	linear 0.X ±- 0.XX ±0.20 0.XXX ±- ISO 1302 angular 0° ±2°	chr	-	-			rel level				Released	
		appr	Koon-Poh Tay	2017/05/17			product family					
Amphenol FCI					SAS RECEPTACLE VERTICAL SMT TYPE ASSY			dwg no		10031567	rev	P
cat. no.					-	Product - Customer Drw				sheet 2 of 3		

PRODUCT NO	METAL CLIP	PLATING	PICK-UP CAP	PACKAGING	REMARKS	PRODUCT NO	PLATING
10031567-002LF	1 PC	NOTE 2	NO	TRAY	NOTE ⑧	10031567-402LF	NOTE ⑪
10031567-002CLF			YES		NOTE ④ & ⑧	10031567-402CLF	
10031567-002C-TRLF			YES	TAPE & REEL	NOTE ④ ⑥ & ⑧	10031567-402C-TRLF	

NOTE 11

PRODUCT NO	METAL CLIP	PLATING	PICK-UP CAP	PACKAGING	REMARKS
10031567-404C-TRLF	1 PC	NOTE 11	YES	CUSTOM-MADE TAPE & REEL	NOTE ④ ⑥ & ⑧



RECOMMENDED PCB LAYOUT

ALL OTHER DIMENSIONS, REFER TO SHEET 1.

Amphenol FCI

© 2016 AFCI

spec ref	-	dr	Louis Ng	2011/10/03	projection	MM	size	A3	scale	1:1	
tolerance std	ISO 406 ISO 1101	eng	Noorhazlinda	2017/04/21			ecn no	ELX-M-26756-1			
surface	linear	chr	-	appr			Koon-Poh Tay	2017/05/17	product family	-	rel level
	angular	Amphenol FCI		SAS RECEPTACLE VERTICAL SMT TYPE ASSY			dwg no	10031567		rev	P
		cat. no.	-	Product - Customer Drw			sheet 3 of 3				