



Chipsmall Limited consists of a professional team with an average of over 10 year of expertise in the distribution of electronic components. Based in Hongkong, we have already established firm and mutual-benefit business relationships with customers from,Europe,America and south Asia,supplying obsolete and hard-to-find components to meet their specific needs.

With the principle of “Quality Parts,Customers Priority,Honest Operation,and Considerate Service”,our business mainly focus on the distribution of electronic components. Line cards we deal with include Microchip,ALPS,ROHM,Xilinx,Pulse,ON,Everlight and Freescale. Main products comprise IC,Modules,Potentiometer,IC Socket,Relay,Connector.Our parts cover such applications as commercial,industrial, and automotives areas.

We are looking forward to setting up business relationship with you and hope to provide you with the best service and solution. Let us make a better world for our industry!



Contact us

Tel: +86-755-8981 8866 Fax: +86-755-8427 6832

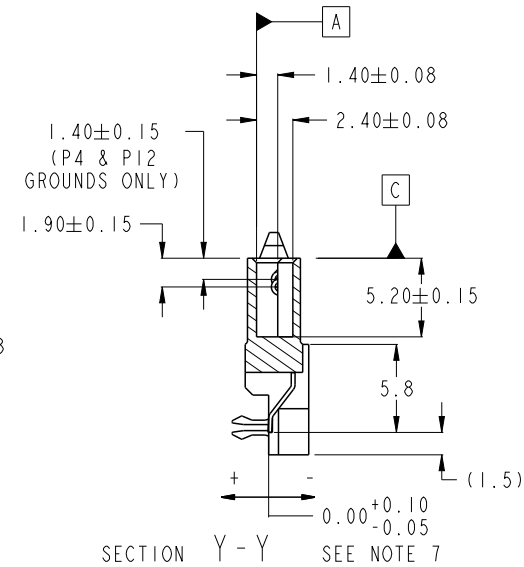
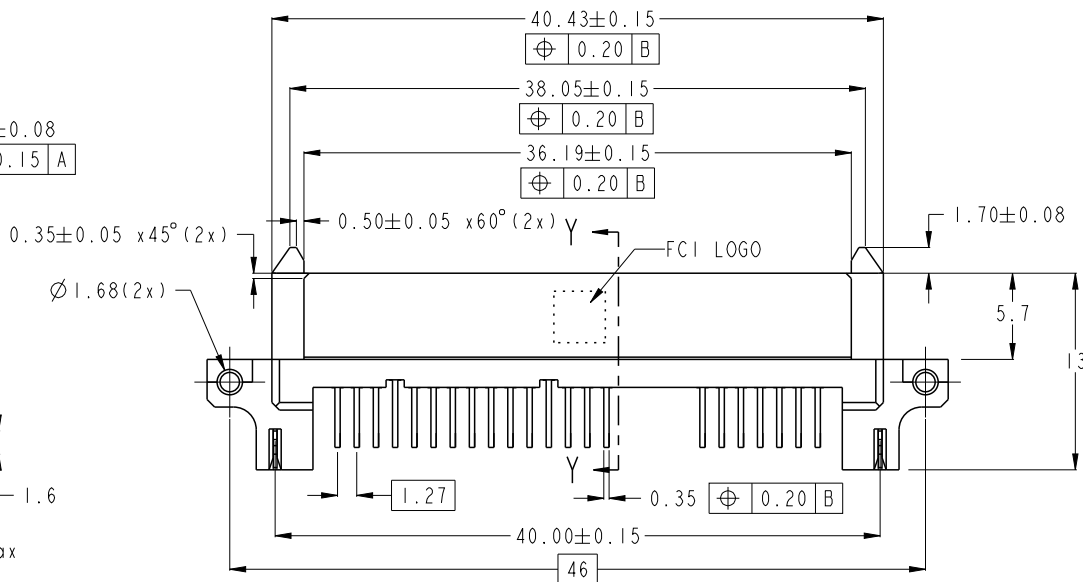
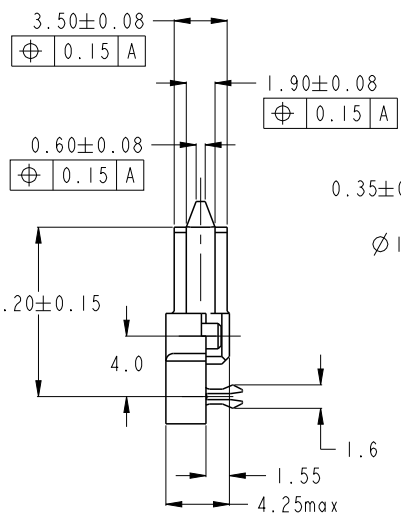
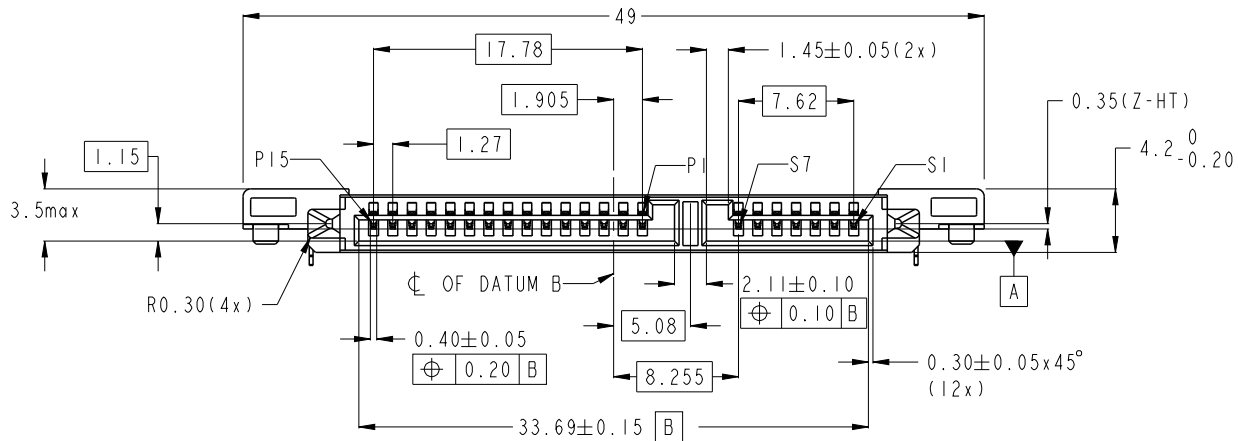
Email & Skype: info@chipsmall.com Web: www.chipsmall.com

Address: A1208, Overseas Decoration Building, #122 Zhenhua RD., Futian, Shenzhen, China



PRODUCT NO.

SEE TABLE



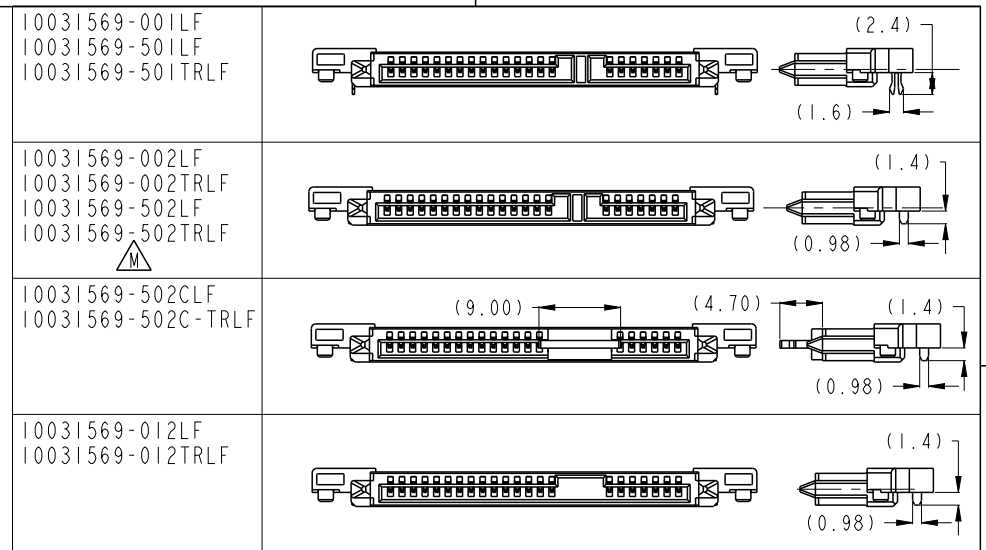
spec ref		dr w wcadmin		2006/02/16		projection		size A4		scale 1:1													
tolerance std		eng Koon-Poh Tay		2015/10/07						ecn no ELX-S-22098-1													
ASME Y14.5		chr -		-						rel level Released													
surface <input checked="" type="checkbox"/>		appr Chen-Hong Tan		2015/10/20		product family		dwg no 10031569		rev M													
		<table border="1"> <tr> <td>linear</td> <td>0.X</td> <td>±0.25</td> </tr> <tr> <td></td> <td>0.XX</td> <td>±0.20</td> </tr> <tr> <td></td> <td>0.XXX</td> <td>±0.10</td> </tr> <tr> <td>angular</td> <td>0°</td> <td>±°</td> </tr> </table>		linear	0.X	±0.25		0.XX	±0.20		0.XXX	±0.10	angular	0°	±°			S-ATA RECEPTACLE TOP MOUNT R/A SMT ASSY		Product - Customer Drw		sheet 1 of 2	
linear	0.X	±0.25																					
	0.XX	±0.20																					
	0.XXX	±0.10																					
angular	0°	±°																					
		www.fci.com		cat. no.																			

Prod File - REV C - 2009-06-09



Copyright FCI.

PRODUCT NO.	RECOMMENDED P.C.B. THICKNESS	PLATING	PACKAGING	REMARKS
10031569-001LF	1.6mm	NOTE 2	TRAY	
10031569-501LF		NOTE 8	TRAY	
10031569-501TRLF		NOTE 8	TAPE & REEL	
10031569-002LF	-	NOTE 2	TRAY	
10031569-002TRLF	-	NOTE 2	TAPE & REEL	
10031569-502LF	-	NOTE 8	TRAY	
Δ 10031569-502TRLF	-	NOTE 8	TAPE & REEL	
10031569-502CLF	-	NOTE 8	TRAY	WITH SUPPORTING CAP
10031569-502C-TRLF	-	NOTE 8	TAPE & REEL	WITH SUPPORTING CAP
10031569-012LF	-	NOTE 2	TRAY	
10031569-012TRLF	-	NOTE 2	TAPE & REEL	



NOTES:-

1. MATERIAL:

- 1) HOUSING : HIGH TEMP. THERMOPLASTIC, UL 94V-0
COLOR : BLACK
- 2) TERMINAL : COPPER ALLOY
- 3) HOLD DOWN : COPPER ALLOY

2. FINISH:

- 1) TERMINAL : 30u" Au PLATING (CONTACT POINT) OVER 50u" MIN NICKEL
- 2) SOLDER TAIL : 100u" MIN TIN OVER 50u" NICKEL
- 3) HOLD DOWN : 100u" MIN TIN OVER 50u" NICKEL

3. THE STANDARD PACKAGING IS IN TRAY.

4. THE HOUSING WILL WITHSTAND EXPOSURE TO 260°C PEAK TEMPERATURE FOR 10 SECONDS IN A CONVECTION, INFRA-RED OR VAPOR PHASE REFLOW OVEN.

5. THIS PRODUCT MEETS EUROPEAN UNION DIRECTIVES AND OTHER COUNTRY REGULATIONS AS DESCRIBED IN GS-47-0004

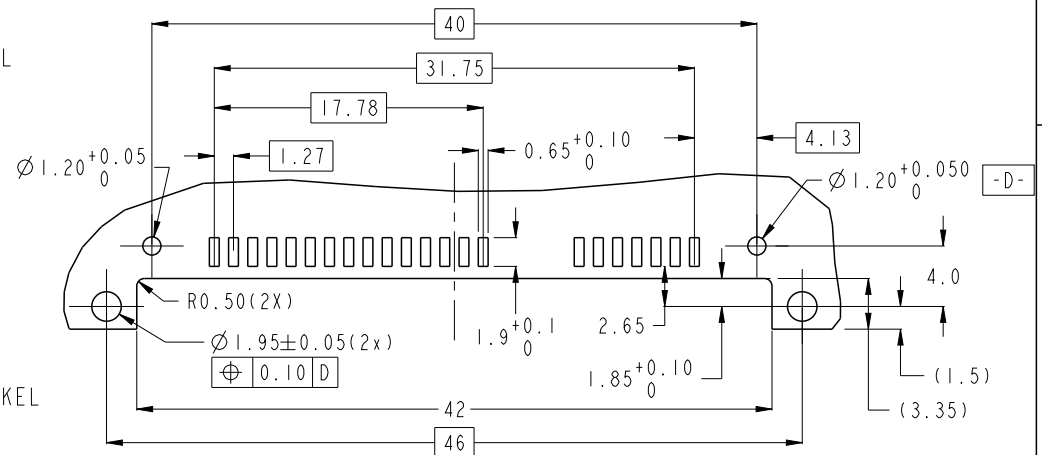
6. PART NUMBERS ENDING IN "LF" ARE MEANT FOR LEAD-FREE IDENTIFICATION. P/N XXXXXXXX-XXXLF IS EQUIVALENT TO PREVIOUS P/N XXXXXXXX-XXX

7. ALL SOLDER TAIL TO BE WITHIN 0.12mm MAX. COPLANARITY.

8. FINISH:

- 1) TERMINAL : 15u" Au PLATING (CONTACT POINT) OVER 50u" MIN NICKEL
- 2) SOLDER TAIL : 100u" MIN TIN OVER 50u" NICKEL
- 3) HOLD DOWN : 100u" MIN TIN OVER 50u" NICKEL

9. A Δ SYMBOL WILL BE NEXT TO ANY DIMENSION, VIEW, OR NOTE WHICH HAS BEEN MODIFIED WITH THE CURRENT DRAWING REVISION.



RECOMMENDED P.C.B LAYOUT
TOLERANCE UNLESS OTHERWISE: ±0.1

spec ref		dr	wcadmin	2006/02/16	projection 	MM ←→	size	A4	scale	1:1
tolerance std		eng	Koon-Poh Tay	2015/10/07			ecn no	ELX-S-22098-1		
ASME Y14.5		chr	-	-				rel level	Released	
surface	linear	0.X	±0.25		title	S-ATA RECEPTACLE	dwg no	10031569	rev	M
		0.XX	±0.20							
		0.XXX	±0.10							
	angular	0°	±°	www.fci.com	cat. no.	Product - Customer Drw	sheet 2 of 2			