



Chipsmall Limited consists of a professional team with an average of over 10 year of expertise in the distribution of electronic components. Based in Hongkong, we have already established firm and mutual-benefit business relationships with customers from,Europe,America and south Asia,supplying obsolete and hard-to-find components to meet their specific needs.

With the principle of "Quality Parts,Customers Priority,Honest Operation,and Considerate Service",our business mainly focus on the distribution of electronic components. Line cards we deal with include Microchip,ALPS,ROHM,Xilinx,Pulse,ON,Everlight and Freescale. Main products comprise IC,Modules,Potentiometer,IC Socket,Relay,Connector.Our parts cover such applications as commercial,industrial, and automotives areas.

We are looking forward to setting up business relationship with you and hope to provide you with the best service and solution. Let us make a better world for our industry!



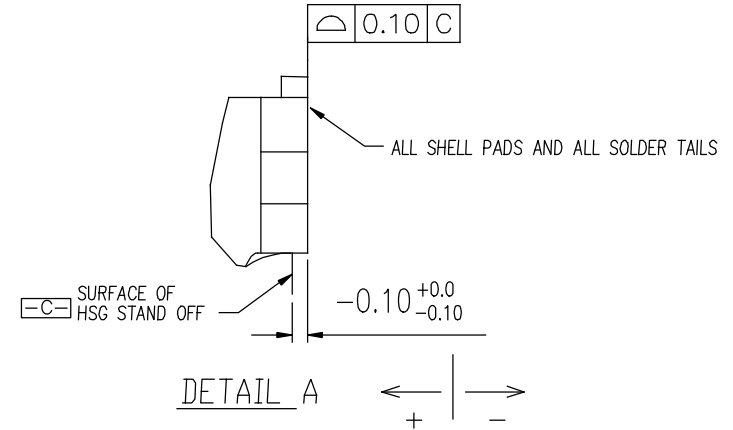
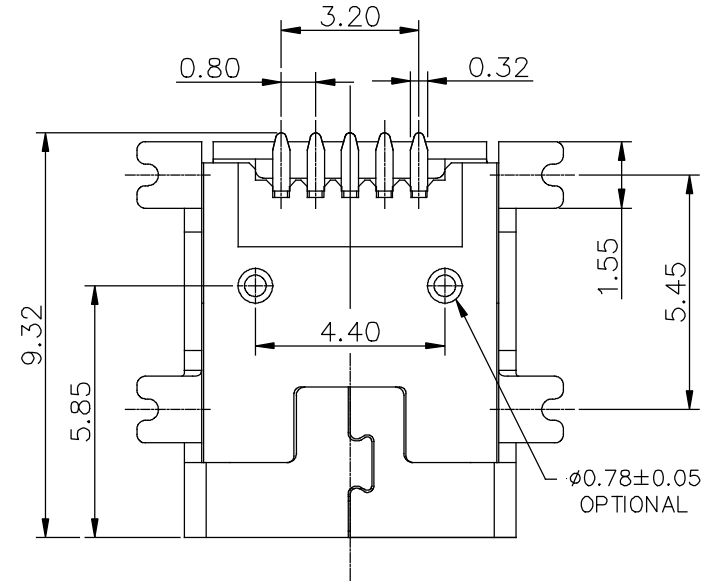
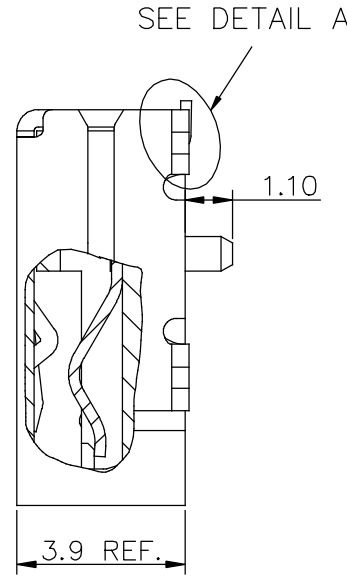
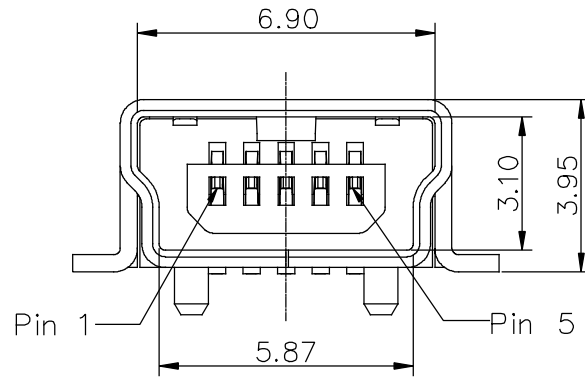
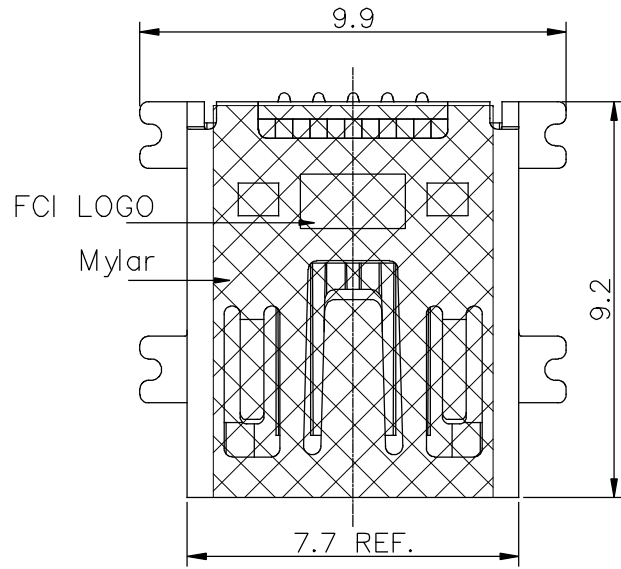
## Contact us

Tel: +86-755-8981 8866 Fax: +86-755-8427 6832

Email & Skype: info@chipsmall.com Web: www.chipsmall.com

Address: A1208, Overseas Decoration Building, #122 Zhenhua RD., Futian, Shenzhen, China





mat'l. code				tolerances unless otherwise specified			CUSTOMER COPY		FCI		www.fciconnect.com	
ltr	ecn no	dr	date	linear	.X ± 0.30		projection	title MINI USB B-TYPE SMT RECEPTACLE				
H	T06-0074	AC	4/10/06		.XX ± 0.20							
J	T06-0137	AC	7/18/06	angles	.XXX ± 0.10		MM	product family 511 code TWN				
K	T06-0201	AC	12/14/06		0° ± 2'							
L	T07-1002	JH	1/5/07	dr	JASON HSU	12/27/10	scale	size dwg no 10033526 sheet 1 of 2				
M	T10-0095	JH	12/27/10	enr	JASON HSU	12/27/10						
N	T-004667	JH	7/27/11	chr	GARY HSIEH	12/27/10	N/A	A4				
				appd	JOSEPH HSIA	12/27/10						
sheet index	revision sheet	N 1	N 2									

1 | 2

3

4

PROD NO  
SEE NOTES

NOTES:

1.MATERIAL:

HOUSING: THERMOPLASTIC. UL 94V-0 RATED, COLOR: BLACK.  
CONTACT: COPPER ALLOY.  
SHELL: COPPER ALLOY  
MYLAR: KAPTON TAPE.

2.FINISH:

CONTACT: UNDERPLATED 50u"MIN. NICKEL OVERALL  
100u" MIN. MATTE TIN PLATED ON SOLDERING AREA,  
SELECTIVE GOLD PLATED ON CONTACT AREA.  
SHIELD: CODE N: NICKEL 40u" ~120u" PLATED OVERALL.  
T: SELECTIVE 60u" MIN. MATTE TIN ON LEGS OVER 40u"~120u" NICKEL.

3.10033526-X3212XLF MEETS THE EUROPEAN UNION DIRECTIVE AS DESCRIBE  
IN GS-22-008 AND ITS HSG WILL WITHSTAND EXPOSE TO 260 DEGREE C  
PEAK TEMPATURE FOR 10 SECONDS IN A IR REFLOW APPLICATION.

4. PRODUCT SPEC: GS-12-174 ; PACKAGE SPEC: GS-14-873.

5. PRODUCT ORDERING DATA :

FOR LEAD-FREE

10033526 - N X X X X M LF  
LF: Lead Free

M: WITH MYLAR  
BLANK: WITHOUT MYLAR

PACKAGING METHOD:  
2: TAPE & REEL PACKAGING

POST OPTION:  
1 : WITH PLASTIC POST.  
2 : WITHOUT PLASTIC POST.

HSG MATERIAL:  
1 OR 2 : HIGH TEMP THERMOPLASTIC

PLATING IN CONTACT AREA:  
3 : 30u" Au.

N: NICKEL FOR SHIELD.  
T: SELECTIVE TIN ON LEGS.

CONNECTOR PROFILE

**RECOMMENDED PCB LAYOUT FOR 10033526-XXX1XX**  
GENERAL TOLERANCE +/-0.05mm

CONNECTOR PROFILE

**RECOMMENDED PCB LAYOUT FOR 10033526-XXX2X**  
GENERAL TOLERANCE +/-0.05mm

mat'l. code		tolerances unless otherwise specified		CUSTOMER COPY		FCI www.fciconnect.com		
ltr	ecn no	dr	date	linear	.X ± 0.30	projection	title	
N					.XX ± 0.20		MINI USB B-TYPE SMT RECEPTACLE	
				angles	.XXX ± 0.10			
				dr	JASON HSU 12/27/10	MM	product family 511	
				engr	JASON HSU 12/27/10	N/A	size	dwg no
				chr	GARY HSIEH 12/27/10		A4	10033526
				appd	JOSEPH HSIA 12/27/10		code	TWN
sheet index	revision sheet						sheet	2 of 2

PDS: Rev :N 3

STATUS: Released

Printed: Aug 30, 2011

ACAD

1 | 2

B

Tous droits strictement reserves. Reproduction ou communication a des tiers interdite sous quelque forme que ce soit sans autorisation écrite du propriétaire. Propriete de c FCI. Droits de reproduction FCI.

All rights strictly reserved. Reproduction or issue to third parties in any form whatever is not permitted without written authority from the proprietor. Property of FCI. Copyright FCI.