



Chipsmall Limited consists of a professional team with an average of over 10 year of expertise in the distribution of electronic components. Based in Hongkong, we have already established firm and mutual-benefit business relationships with customers from,Europe,America and south Asia,supplying obsolete and hard-to-find components to meet their specific needs.

With the principle of "Quality Parts,Customers Priority,Honest Operation,and Considerate Service",our business mainly focus on the distribution of electronic components. Line cards we deal with include Microchip,ALPS,ROHM,Xilinx,Pulse,ON,Everlight and Freescale. Main products comprise IC,Modules,Potentiometer,IC Socket,Relay,Connector.Our parts cover such applications as commercial,industrial, and automotives areas.

We are looking forward to setting up business relationship with you and hope to provide you with the best service and solution. Let us make a better world for our industry!



Contact us

Tel: +86-755-8981 8866 Fax: +86-755-8427 6832

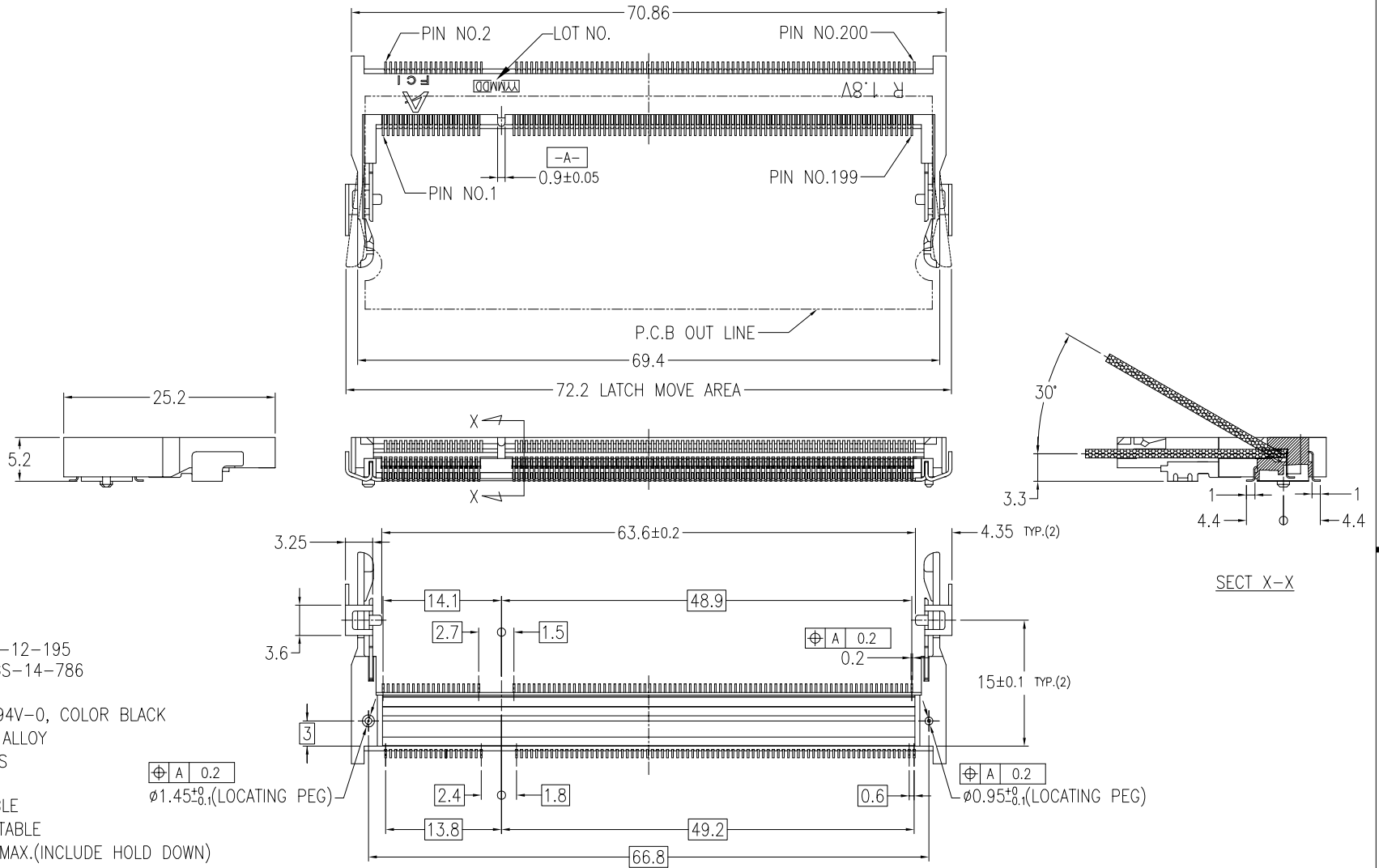
Email & Skype: info@chipsmall.com Web: www.chipsmall.com

Address: A1208, Overseas Decoration Building, #122 Zhenhua RD., Futian, Shenzhen, China





PRODUCT NO.
10033854-*52**



NOTE

1. PRODUCT SPEC. : GS-12-195
2. PACKAGING SPEC. : GS-14-786
3. MATERIAL
 - 1) HOUSING : LCP, UL94V-0, COLOR BLACK
 - 2) CONTACT : COPPER ALLOY
 - 3) HOLD DOWN : BRASS
4. FINISH
 - 1) TERMINAL : SEE TABLE
 - 2) HOLD DOWN : SEE TABLE
5. CO-PLANARITY : 0.1 MAX.(INCLUDE HOLD DOWN)
6. THIS PRODUCT MEETS EUROPEAN UNION DIRECTIVES AND OTHER COUNTRY REGULATIONS AS DESCRIBED IN GS-22-008.
7. THE HOUSING WILL WITHSTAND EXPOSURE TO 260° PEAK TEMPERATURE FOR 10 SECONDS IN A REFLOW SOLDER APPLICATION.

$\oplus A \ 0.2$

$\phi 1.45^{+0.01}$ (LOCATING PEG)

$\oplus A \ 0.2$

$\phi 0.95^{+0.01}$ (LOCATING PEG)

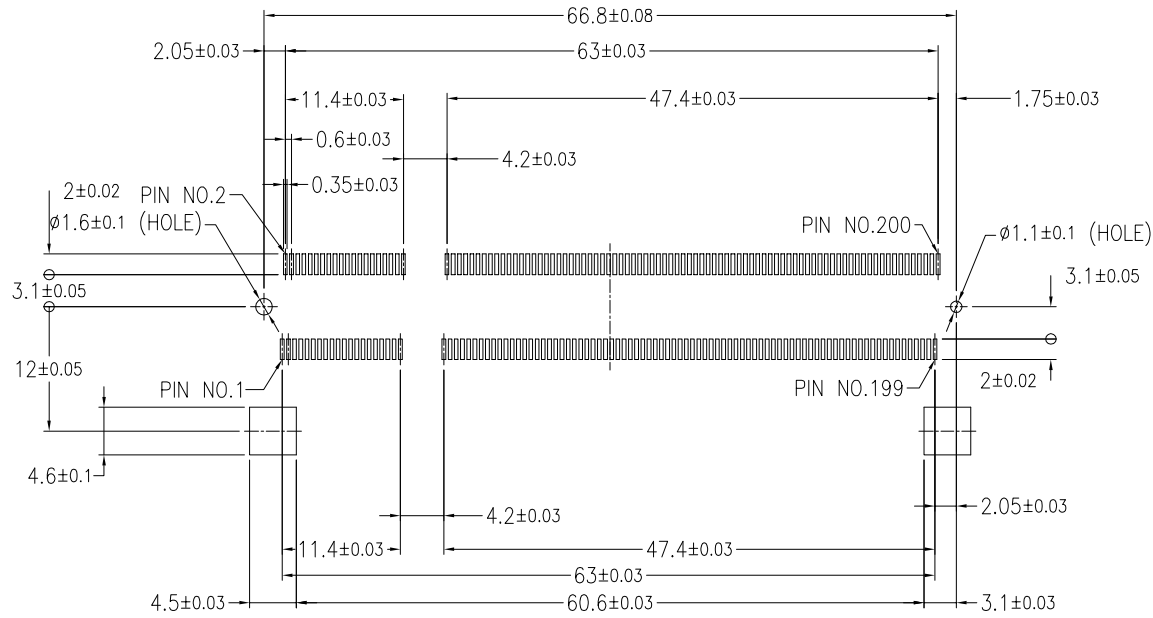
mat'l. code				tolerances unless otherwise specified			CUSTOMER COPY	 www.fciconnect.com	
ltr	ecn no	dr	date	linear	.X ± 0.20		projection	title DDR II 0.6 mm PITCH 200 POS. REVERSE TYPE ASS'Y	
2		M H	8/28/'03		.XX ± 0.10				
3		M H	4/2/'04		angles	0° ± 5°		 MM	product family 50UF SO-DIMM size dwg no
4		M H	6/29/'04						
A	J04-0401	M H	9/28/'04	dr	M.Hasegawa	6/29/'04	scale	B	10033854
B	T05-0022	R C	11/9/'04	enr	M.Hasegawa	6/29/'04			
C	T05-0229	R C	10/12/'05	chr					
D	pc08-0333	B L	12/1/'08	appd					
sheet	revision	D	D	D	D		2:1		sheet
index	sheet	1	2	3	4				

Tous droits strictement reserves. Reproduction ou communication a des tiers interdite sous quelque forme que ce soit sans autorisation ecrite de FCI. Propriete de c FCI. Droits de reproduction FCI.



All rights strictly reserved. Reproduction or issue to third parties in any form whatever is not permitted without written authority from the propriety of FCI. Copyright FCI.

PRODUCT NO.
10033854-*52**



RECOMMENDED MOUNTING P.C.B LAYOUT

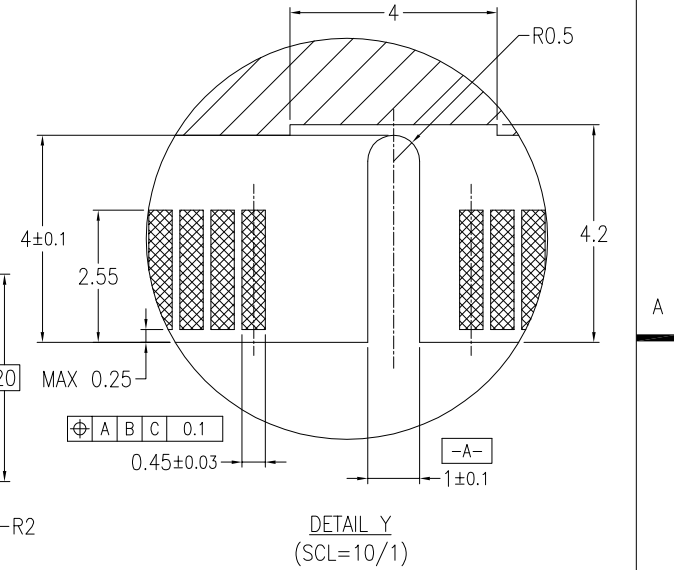
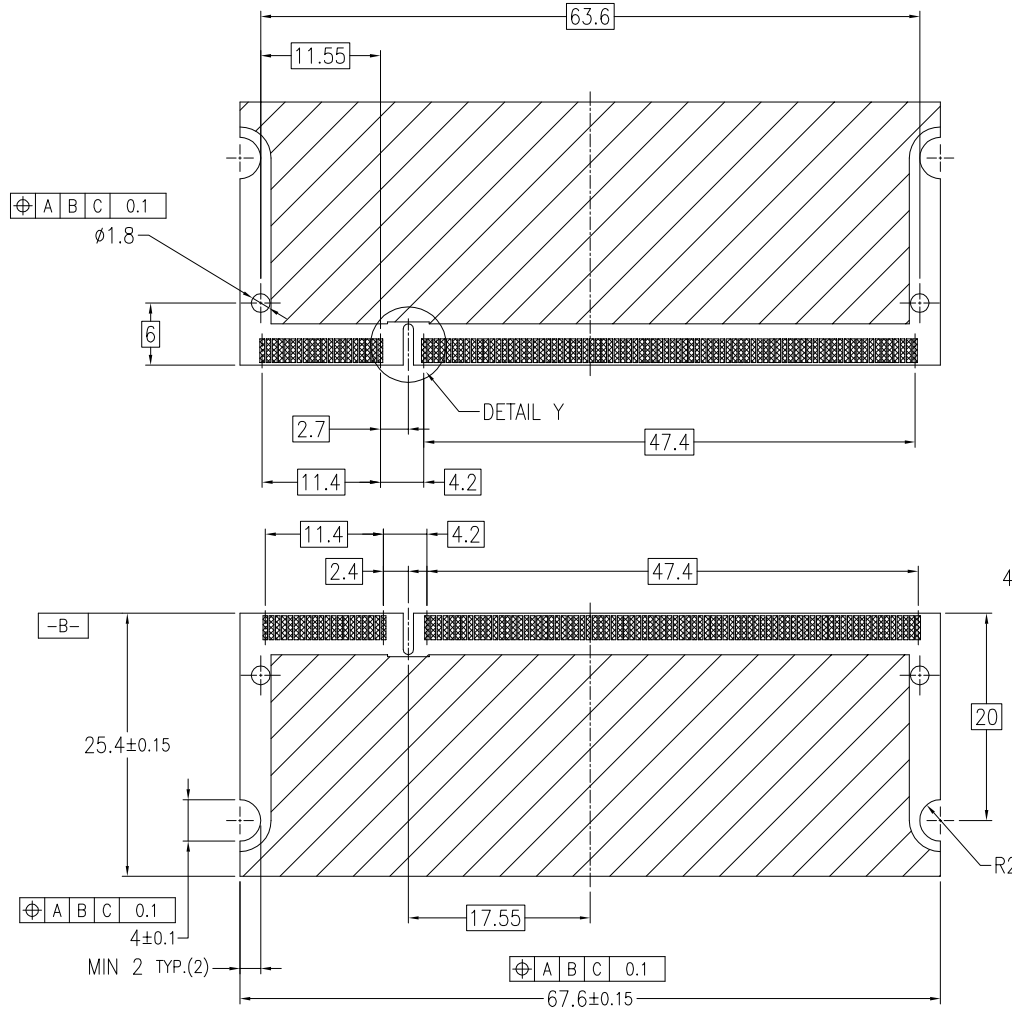
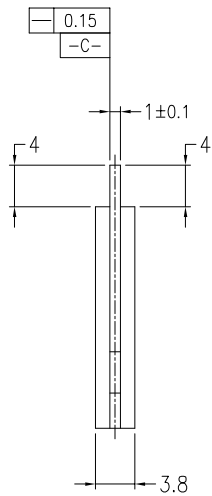
mat'l. code				tolerances unless otherwise specified		CUSTOMER COPY		 www.fciconnect.com	
ltr	ecn no	dr	date	linear	.X ± 0.20		projection	title	
D					.XX ± 0.10			 DDR II 0.6 mm PITCH 200 POS. REVERSE TYPE ASS'Y	
					angles	0° ± 5°		product family 50UF SO-DIMM	
				dr	M.Hasegawa	6/29/04	 MM	code JP	
				enr	M.Hasegawa	6/29/04		scale	sheet 2 of
				chr			2:1	B 10033854	
				appd					
sheet index	revision sheet								

Tous droits strictement réservés. Reproduction ou communication a des tiers interdite sous quelque forme que ce soit sans autorisation écrite de FCI. Propriété de c FCI. Droits de reproduction FCI.



All rights strictly reserved. Reproduction or issue to third parties in any form whatever is not permitted without written authority from the proprietor. Property of FCI. Copyright FCI.

PRODUCT NO.
10033854-*52**



RECOMMENDED MODULE P.C.B LAYOUT

mat'l. code				tolerances unless otherwise specified		CUSTOMER COPY		 www.fciconnect.com	
ltr	ecn no	dr	date	linear	.X ± 0.20	projection		title	
D					.XX ± 0.10			DDR II 0.6 mm PITCH 200 POS. REVERSE TYPE ASS'Y	
				angles	0° ± 5°	 MM	 scale	product family	code
				dr	M.Hasegawa 6/29/04			50UF SO-DIMM	JP
				chr	M.Hasegawa 6/29/04	size	dwg no	sheet	
				appd		B	10033854	3 of	
sheet index	revision sheet								

Tous droits strictement réservés. Reproduction ou communication a des tiers interdite sous quelque forme que ce soit sans autorisation écrite de propriétaire. Propriété de c FCI. Droits de reproduction FCI.



All rights strictly reserved. Reproduction or issue to third parties in any form whatever is not permitted without written authority from the proprietors. Property of FCI. Copyright FCI.

PRODUCT NO.	LOCATING PEG	TERMINAL CONTACT AREA FINISH	HOLD DOWN FINISH	SOLDER TAIL FINISH		
10033854-052FSLF	YES	Au FLASH	PURE Sn PLATING	Au FLASH		
10033854-152FSLF	NO					
10033854-052TSLF	YES	Au 0.3um MIN.				
10033854-152TSLF	NO					
10033854-052ASLF	YES	Au 0.76um MIN.				
10033854-152ASLF	NO					
10033854-052FB	YES	Au FLASH	Sn-Pb PLATING	Au FLASH		
10033854-152FB	NO					
10033854-052TB	YES	Au 0.3um MIN.				
10033854-152TB	NO					
10033854-052AB	YES	Au 0.76um MIN.	Pure Sn PLATING		Au FLASH	
10033853-152AB	NO					
10033854-252FSLF	YES	Au FLASH		PURE Sn PLATING		Pure Sn PLATING
10033854-352FSLF	NO					
10033854-252TSLF	YES	Au 0.3um MIN.				
10033854-352TSLF	NO					
10033854-252ASLF	YES	Au 0.76um MIN.	Sn-Pb PLATING	Pure Sn PLATING		
10033854-352ASLF	NO					
10033854-252FB	YES	Au FLASH			Sn-Pb PLATING	Sn-Pb PLATING
10033854-352FB	NO					
10033854-252TB	YES	Au 0.3um MIN.	PURE Sn PLATING			
10033854-352TB	NO					
10033854-252AB	YES	Au 0.76um MIN.		PURE Sn PLATING	Sn-Pb PLATING	
10033854-352AB	NO					
10033854-452FS	YES	Au FLASH	PURE Sn PLATING			Sn-Pb PLATING
10033854-552FS	NO					
10033854-452TS	YES	Au 0.3um MIN.		PURE Sn PLATING		
10033854-552TS	NO					
10033854-452AS	YES	Au 0.76um MIN.	Sn-Pb PLATING		Sn-Pb PLATING	
10033854-552AS	NO					
10033854-452FB	YES	Au FLASH		Sn-Pb PLATING		Sn-Pb PLATING
10033854-552FB	NO					
10033854-452TB	YES	Au 0.3um MIN.	Sn-Pb PLATING			
10033854-552TB	NO					
10033854-452AB	YES	Au 0.76um MIN.		Sn-Pb PLATING	Sn-Pb PLATING	
10033854-552AB	NO					

10033854-□□□□□ LF

<PACKING METHOD>
R : TAPE REEL
DEFAULT : TRAY

<HOLD DOWN FINISH>
S : Pure Sn
B : Sn-Pb

<CONTACT AREA FINISH>
F : Au FLASH
T : Au 0.3um MIN.
A : Au 0.76um MIN.

<TOTAL HEIGHT>
52 : 5.2mm

<LOCATING PEG, SOLDER TAIL FINISH>
0 : YES, Au FLASH
1 : NO, Au FLASH
2 : YES, Pure Sn PLATING
3 : NO, Pure Sn PLATING
4 : YES, Sn-Pb PLATING
5 : NO, Sn-Pb PLATING

For Rohs OPTIONS:
TAIL PLATING CODE MUST BE 0~3.
HOLD DOWN PLATING CODE MUST BE "S".
"LF" CODE IS EXIST IN THE END.
EX: 10033854-252TSLF

FOR NOT Rohs COMPATIBLE:
THIS "LF" CODE IS "BLANK".
EX:10033854-452TS

mat'l. code				tolerances unless otherwise specified		CUSTOMER COPY		 www.fciconnect.com	
ltr	ecn no	dr	date	linear	.X ± 0.20	projection		title	
D					.XX ± 0.10			DDR II 0.6 mm PITCH 200 POS. REVERSE TYPE ASS'Y	
				angles	0° ± 5°		product family 50UF SO-DIMM size dwg no	code	
				dr	M.Hasegawa 6/29/04			scale	B
				enrg	M.Hasegawa 6/29/04	2:1	10033854		
				chr					
				appd					
sheet index	revision sheet								