



Chipsmall Limited consists of a professional team with an average of over 10 year of expertise in the distribution of electronic components. Based in Hongkong, we have already established firm and mutual-benefit business relationships with customers from,Europe,America and south Asia,supplying obsolete and hard-to-find components to meet their specific needs.

With the principle of "Quality Parts,Customers Priority,Honest Operation,and Considerate Service",our business mainly focus on the distribution of electronic components. Line cards we deal with include Microchip,ALPS,ROHM,Xilinx,Pulse,ON,Everlight and Freescale. Main products comprise IC,Modules,Potentiometer,IC Socket,Relay,Connector.Our parts cover such applications as commercial,industrial, and automotives areas.

We are looking forward to setting up business relationship with you and hope to provide you with the best service and solution. Let us make a better world for our industry!



## Contact us

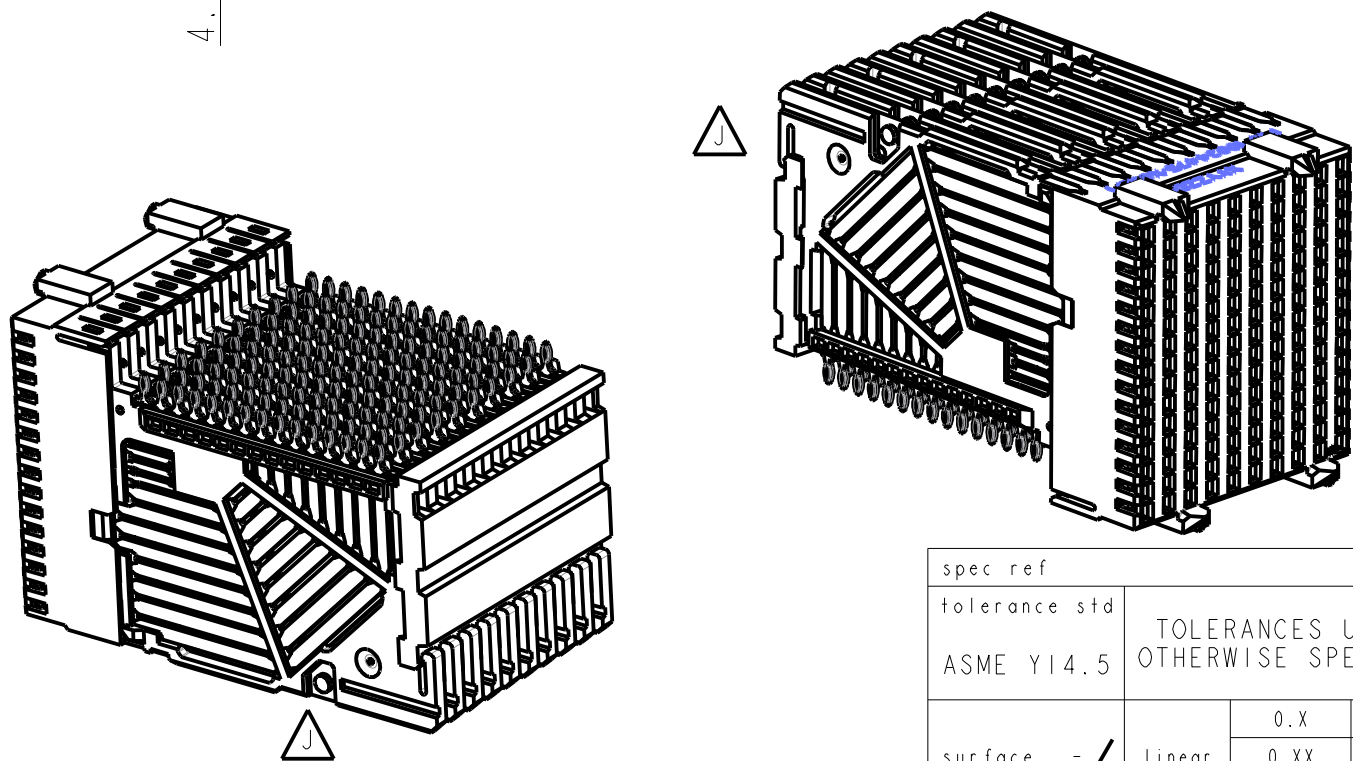
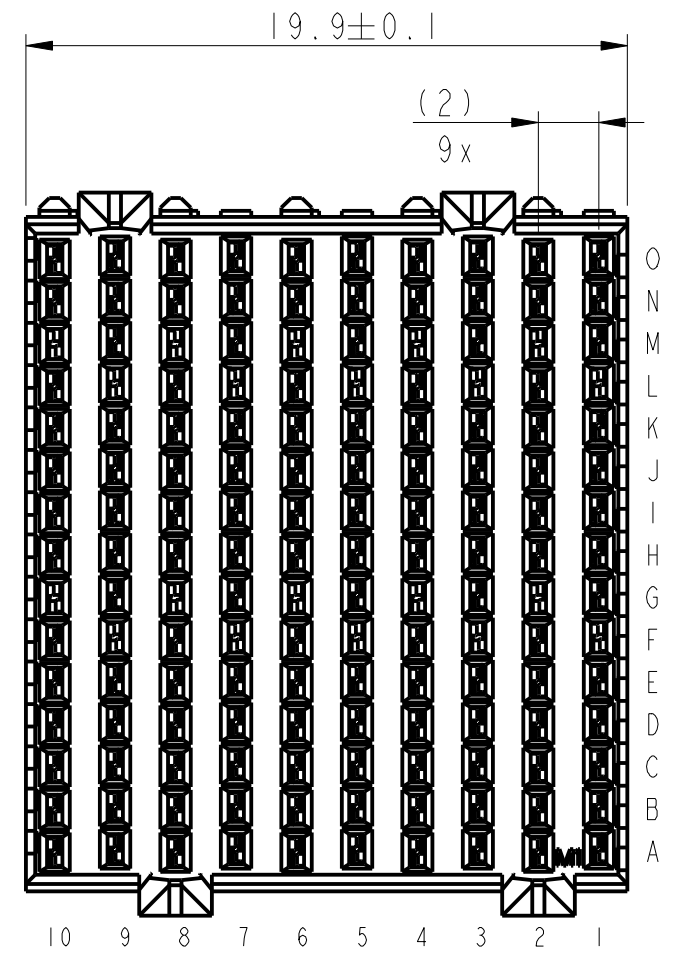
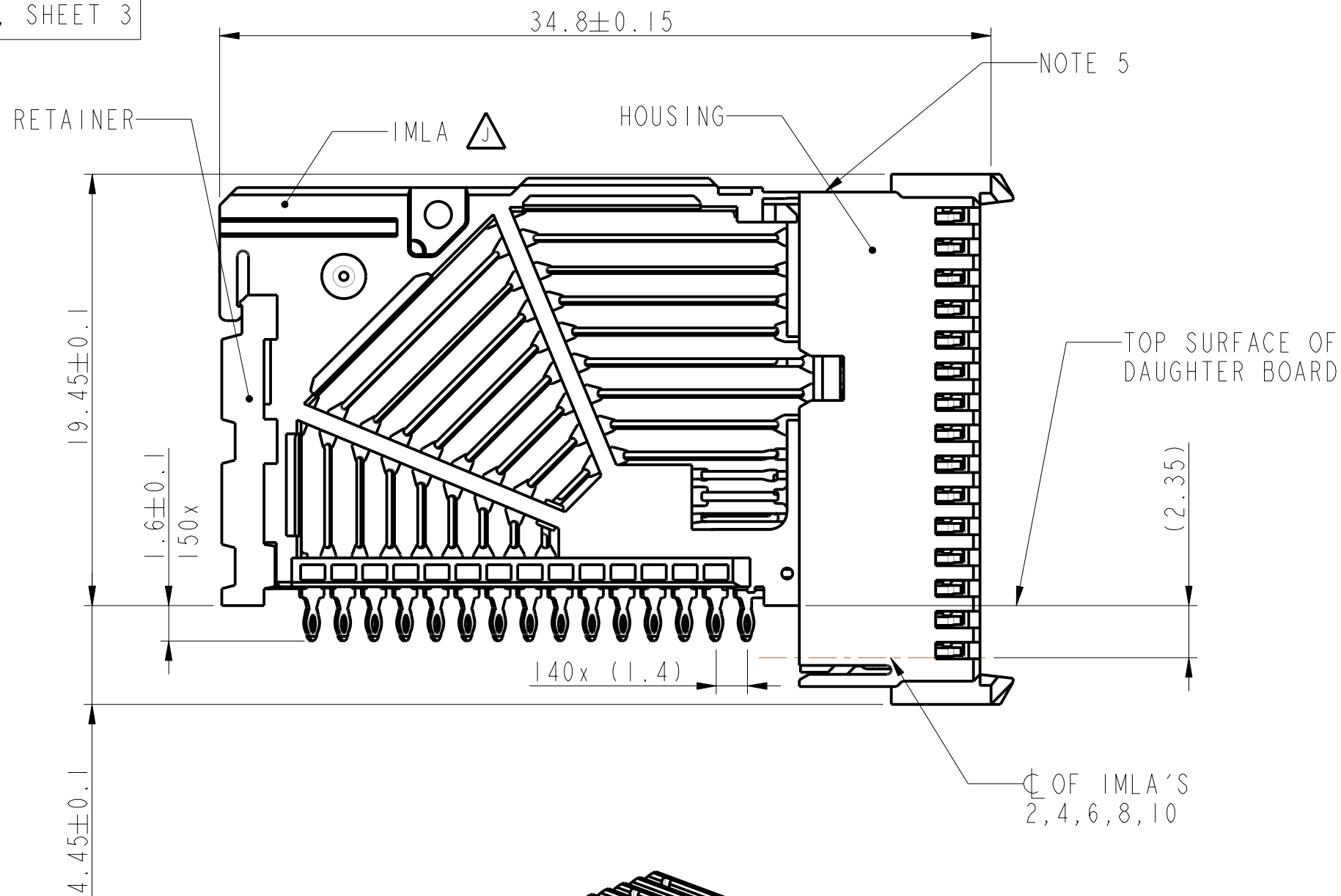
Tel: +86-755-8981 8866 Fax: +86-755-8427 6832

Email & Skype: info@chipsmall.com Web: www.chipsmall.com

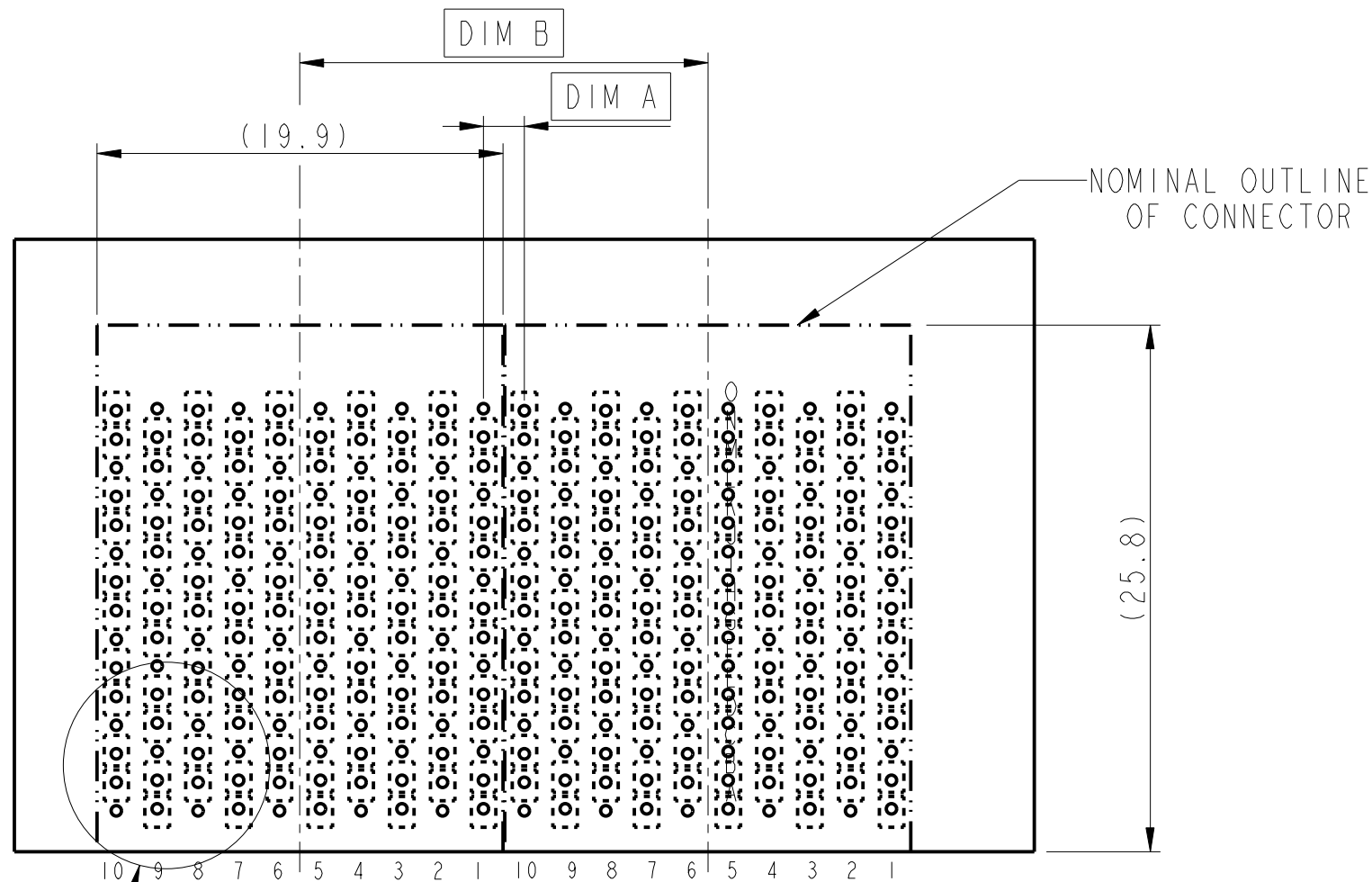
Address: A1208, Overseas Decoration Building, #122 Zhenhua RD., Futian, Shenzhen, China



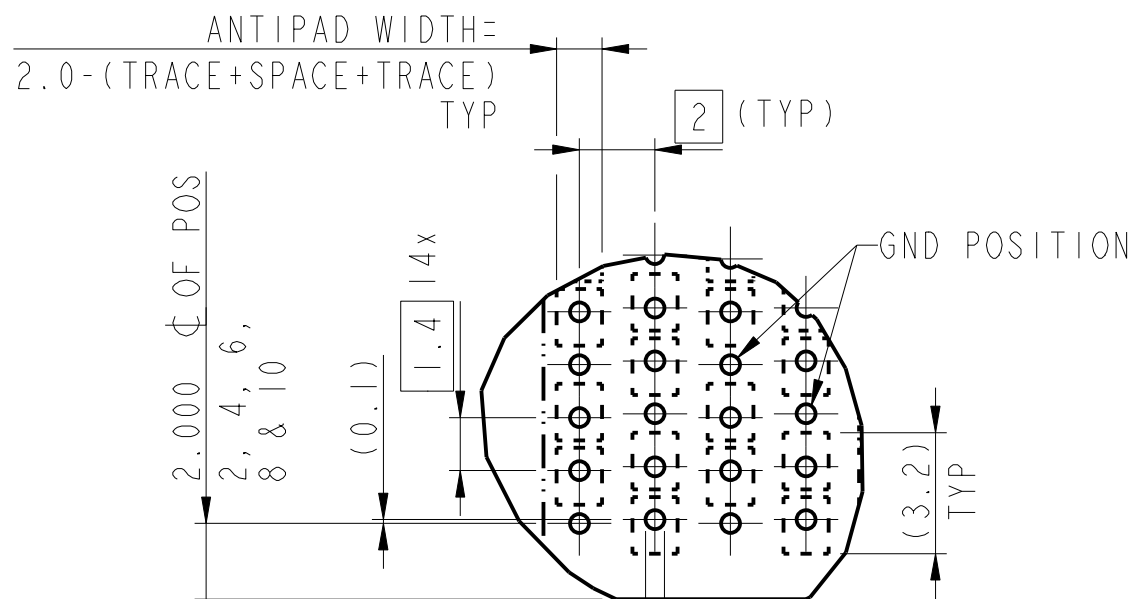
Product-number  
SEE TABLE, SHEET 3



spec ref	dr	wcadmin	2008/02/14	projection	mm	size	A3	scale	4:1
tolerance std	eng	Lin-Soe Ngwe	2014/01/03			ecn no		ELX-S-16634-1	
ASME Y14.5	chr	-	product family			-	rel level		Released
surface	linear	0.X	±0.3		<b>AirMax VS R.A. Recpt assy</b> PRESS-FIT, 150 POS, 20 MM	dwg no <b>10034475</b>	rev <b>J</b>	ASME Y14.5	
		0.XX	±0.10					cat. no.	
0.XXX	±0.050	www.fci.com						PDS: Rev :J	
ASME Y14.5	angular	0°	±°	www.fci.com		Product - Customer Drw		sheet 1 of 3	



SEE DETAIL A  
 RECOMMENDED PCB LAYOUT  
 FOR DIFFERENTIAL APPLICATIONS  
 COMPONENT SIDE  
 (TWO ADJACENT FOOTPRINTS SHOWN)

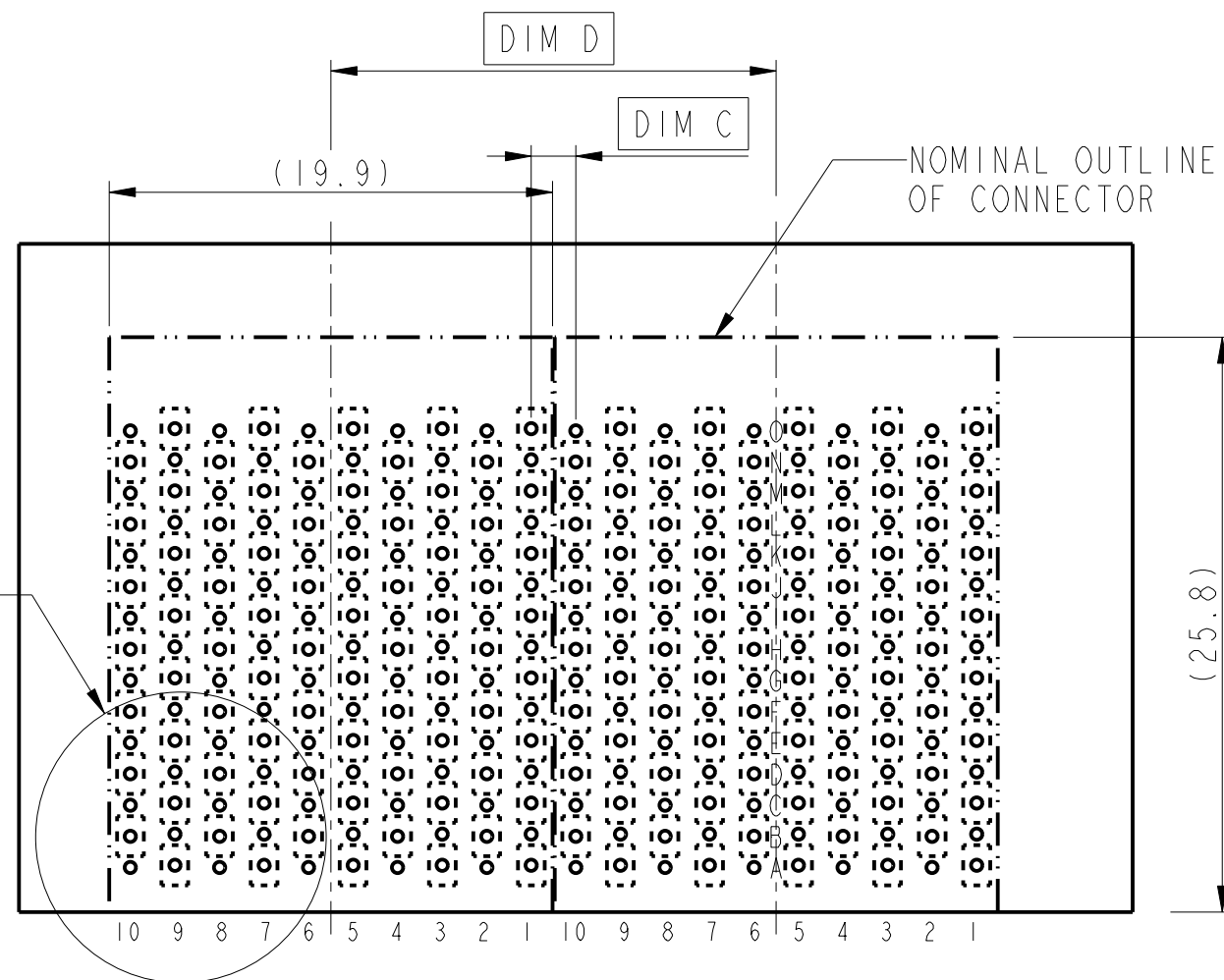
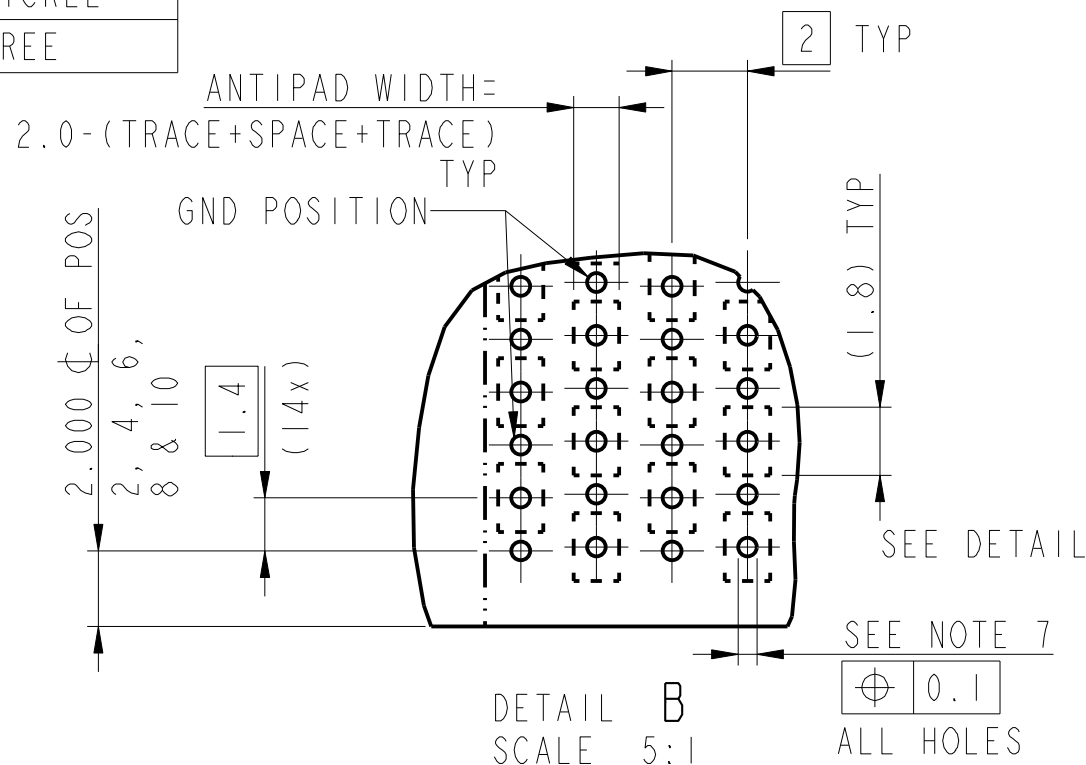


DETAIL A  
 SCALE 5:1  
 SEE NOTE 7  
 $\varnothing 0.1$   
 ALL HOLES

ADJACENT HEADER WIDTH	DIM A	DIM B
20MM/20MM	2MM	20MM
20MM/22MM	3MM	21MM
22MM/22MM	4MM	22MM

spec ref	dr	wcadmin	2008/02/14	projection	mm	size	A3	scale	3:1
tolerance std	eng	Lin-Soe Ngwe	2014/01/03			ecn no		ELX-S-16634-1	
ASME Y14.5	chr	-	-			rel level		Released	
TOLERANCES UNLESS OTHERWISE SPECIFIED		appr	Chen-Hong Tan	2014/01/07	product family	AirMax VS(tm)		Title	
surface	linear	0.X	±0.3		AirMax VS R.A. Recept assy			dwg no 10034475	rev J
ASME Y14.5	angular	0.XX	±0.10		PRESS-FIT, 150 POS, 20 MM				
		0.XXX	±0.050		cat. no.				
		0°	±°	Product - Customer Drw		sheet 2 of 3			

PART NUMBER	PRESS FIT TAIL PLATING TYPE
10034475-101	TIN/LEAD ALLOY OVER NICKEL
10034475-101LF	LEAD FREE



RECOMMENDED PCB LAYOUT  
FOR SINGLE ENDED APPLICATIONS  
COMPONENT SIDE  
(TWO ADJACENT FOOTPRINTS SHOWN)

NOTES:

- CONNECTOR MATERIALS:  
HOUSING & RETAINER: HIGH TEMP THERMOPLASTIC, NATURAL, UL94V-0  
IMLA PLASTIC: HIGH TEMP PLASTIC, BLACK, UL94V-0  
CONTACT: COPPER ALLOY.
- CONTACT PLATING:  
SEPARABLE INTERFACE: PERFORMANCE BASED PLATING, QUALIFIED TO MEET THE REQUIREMENTS OF FCI PRODUCT SPECIFICATION GS-12-239, INCLUDING TELCORDIA GR-1217-CORE (NOV 1995) CENTRAL OFFICE TEST SEQUENCE.  
PRESS-FIT TAILS: SEE TABLE
- PRODUCT SPECIFICATION: GS-12-239
- APPLICATION SPECIFICATION: GS-20-035
- PRODUCT MARKING, (PARTNUMBER & LOT CODE), ON THIS SURFACE
- THERE IS NO GROUND BUSSING WITHIN THE CONNECTOR SYSTEM.
- SEE CUSTOMER DRAWING 10045979 FOR INFORMATION ON PCB HOLE DIAMETER AND PLATING OPTIONS
- THIS PRODUCT MEETS EUROPEAN UNION DIRECTIVES AND OTHER COUNTRY REGULATIONS AS DESCRIBED IN GS-22-008.
- THE HOUSING WILL WITHSTAND EXPOSURE TO 260 °C PEAK TEMPERATURE FOR 40 SECONDS IN A CONVECTION, INFRA-RED OR VAPOR PHASE REFLOW OVEN.
- PACKAGE MEETS GS-14-920 LEAD FREE LABELLING SPEC.
- A  $\Delta$  SYMBOL WILL BE NEXT TO ANY DIMENSION, VIEW, OR NOTE WHICH HAS BEEN MODIFIED WITH THE CURRENT DRAWING REVISION.

ADJACENT HEADER WIDTH	DIM C	DIM D
20MM/20MM	2MM	20MM
20MM/22MM	3MM	21MM
22MM/22MM	4MM	22MM

spec ref	dr	wcadmin	2008/02/14	projection	mm	size	A3	scale	3:1				
tolerance std	eng	Lin-Soe Ngwe	2014/01/03		←→	ecn no	ELX-S-16634-1	rel level	Released				
ASME Y14.5	chr	-	apppr							Chen-Hong Tan	2014/01/07	product family	AirMax VS(tm)
surface	linear	0.X	±0.3		TITLE	dwg no	10034475	rev	J				
ASME Y14.5	angular	0.XX	±0.10							www.fci.com	cat. no.	Product - Customer Drw	sheet 3 of 3
		0.XXX	±0.050										

Copyright FCI.