



Chipsmall Limited consists of a professional team with an average of over 10 year of expertise in the distribution of electronic components. Based in Hongkong, we have already established firm and mutual-benefit business relationships with customers from,Europe,America and south Asia,supplying obsolete and hard-to-find components to meet their specific needs.

With the principle of “Quality Parts,Customers Priority,Honest Operation,and Considerate Service”,our business mainly focus on the distribution of electronic components. Line cards we deal with include Microchip,ALPS,ROHM,Xilinx,Pulse,ON,Everlight and Freescale. Main products comprise IC,Modules,Potentiometer,IC Socket,Relay,Connector.Our parts cover such applications as commercial,industrial, and automotives areas.

We are looking forward to setting up business relationship with you and hope to provide you with the best service and solution. Let us make a better world for our industry!



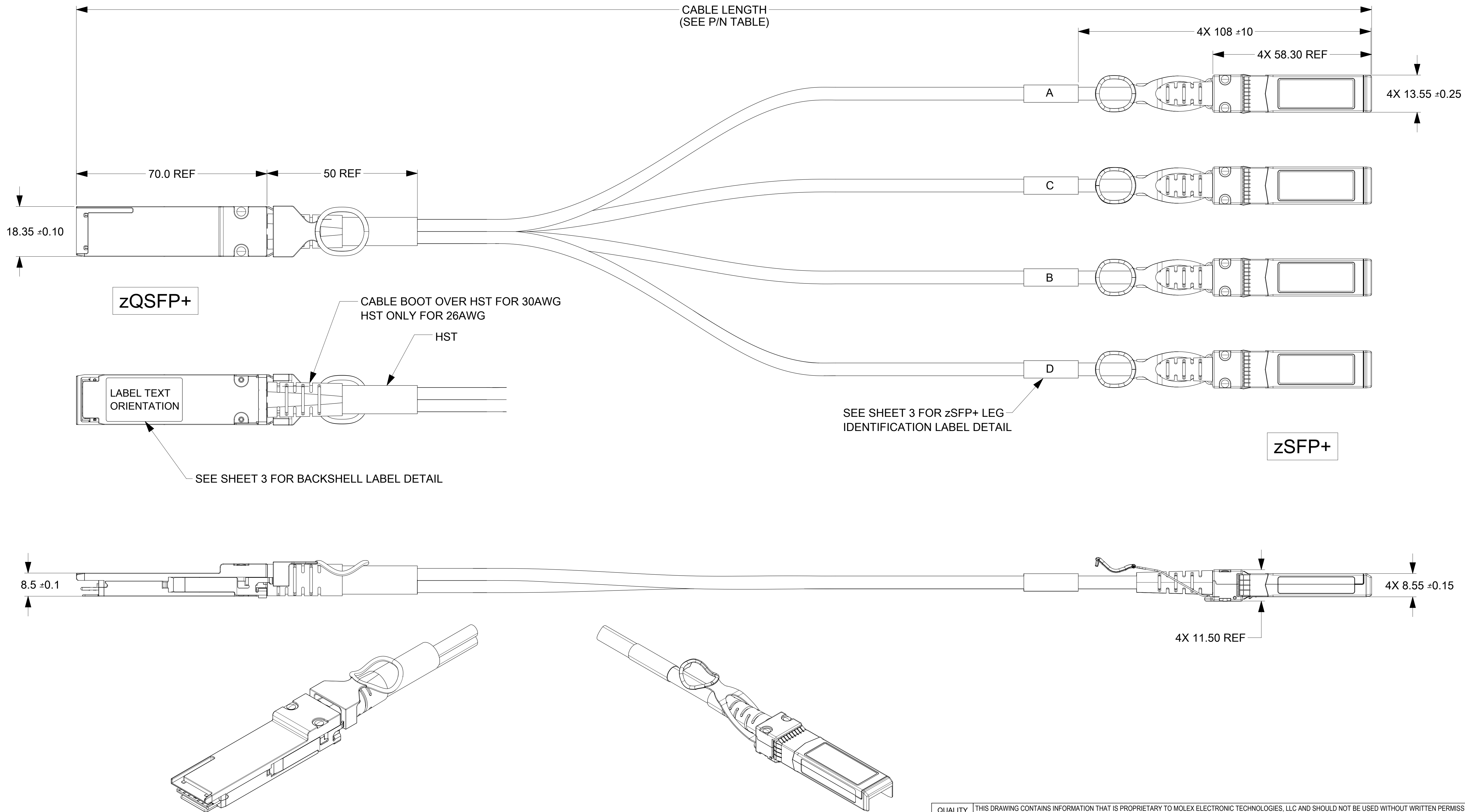
Contact us

Tel: +86-755-8981 8866 Fax: +86-755-8427 6832

Email & Skype: info@chipsmall.com Web: www.chipsmall.com

Address: A1208, Overseas Decoration Building, #122 Zhenhua RD., Futian, Shenzhen, China





NOTES:

1. MATERIALS:
 - RAW CABLE- 2 TWIN-AX PAIRS, PVC JACKET
 - PCB - HALOGEN FREE, UL94 V-0
 - BACKSHELLS - ZINC DIECAST WITH BRIGHT NICKEL PLATING
 - RIVETS - STAINLESS STEEL
2. IMPEDANCE - 100 OHMS DIFFERENTIAL
3. RoHS COMPLIANT, NO EXEMPTIONS

THIS DRAWING CONTAINS INFORMATION THAT IS PROPRIETARY TO MOLEX ELECTRONIC TECHNOLOGIES, LLC AND SHOULD NOT BE USED WITHOUT WRITTEN PERMISSION											
QUALITY SYMBOLS	F = 0 E = 0 D = 0 C = 0 B = 0 A = 0 1 = 0 2 = 0 3 = 0 4 = 0 5 = 0 6 = 0 7 = 0 8 = 0 9 = 0 10 = 0 11 = 0 12 = 0 13 = 0 14 = 0 15 = 0 16 = 0 17 = 0 18 = 0 19 = 0	GENERAL TOLERANCES (UNLESS SPECIFIED)		DIMENSION UNITS	SCALE						
		ANGULAR TOL ± 1.0 °		MM	1.5:1						
ADDED BEND RADIUS		4 PLACES ±		DRWN BY	DATE	ZQSFP+ TO 4ZSFP+ 25G CBL ASSY					
DRAFT WHERE APPLICABLE MUST REMAIN WITHIN DIMENSIONS		3 PLACES ±		BCHEN06	2017/01/10						
		2 PLACES ± 0.13		CHKD BY	DATE	PRODUCT CUSTOMER DRAWING					
		1 PLACE ± 0.25		SRATKOVIC	2017/01/13						
		0 PLACES ±		APPR BY	DATE	SERIES		MATERIAL NUMBER		CUSTOMER	
				ADTUCKER	2017/01/18	100345		SEE P/N TABLE		GENERAL MARKET	
				DRAWING SIZE		THIRD ANGLE PROJECTION		DOCUMENT NUMBER		DOC TYPE	
				D				1003450001		PSD 000	
								1003450001		1 OF 3	

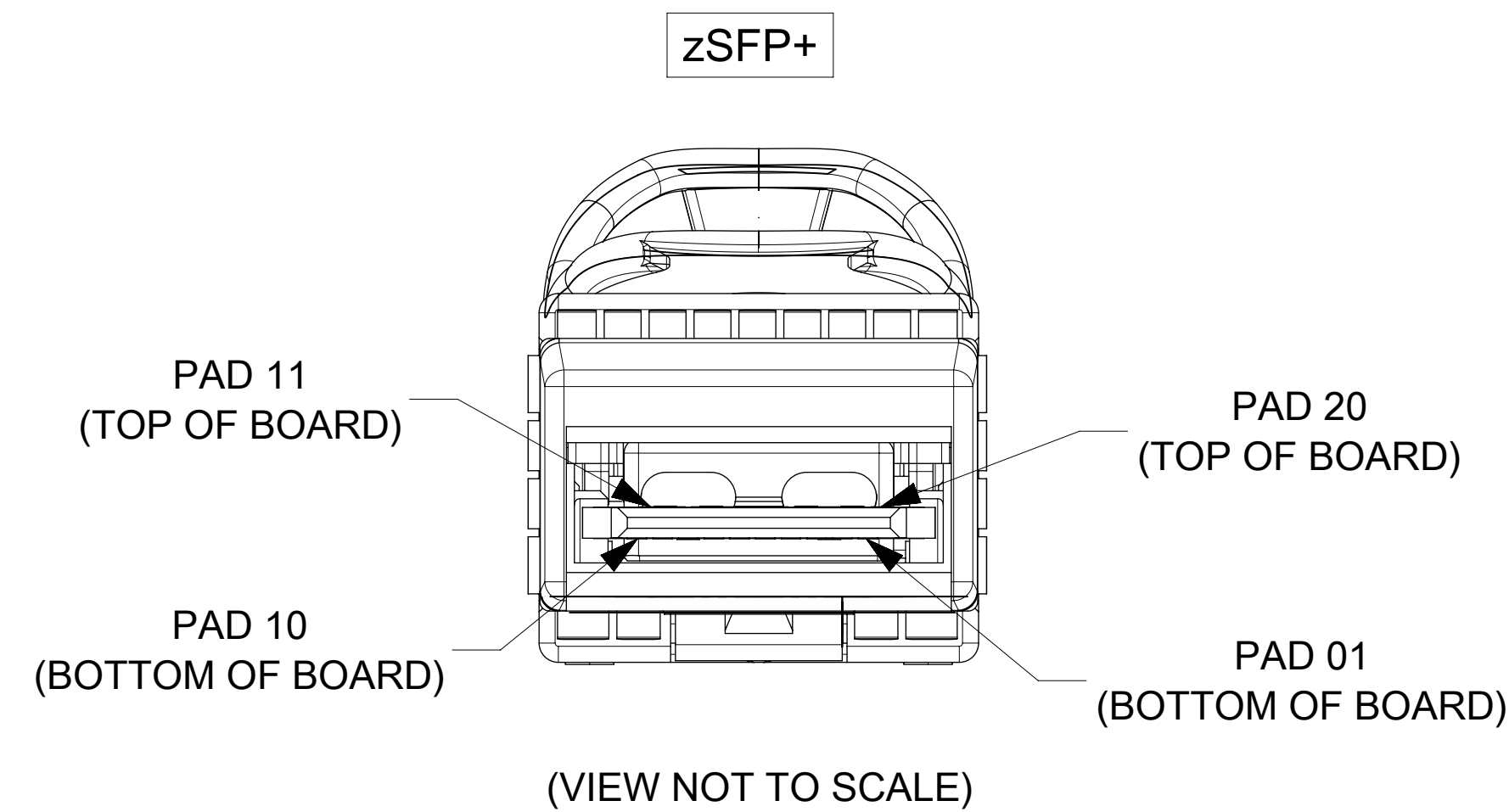
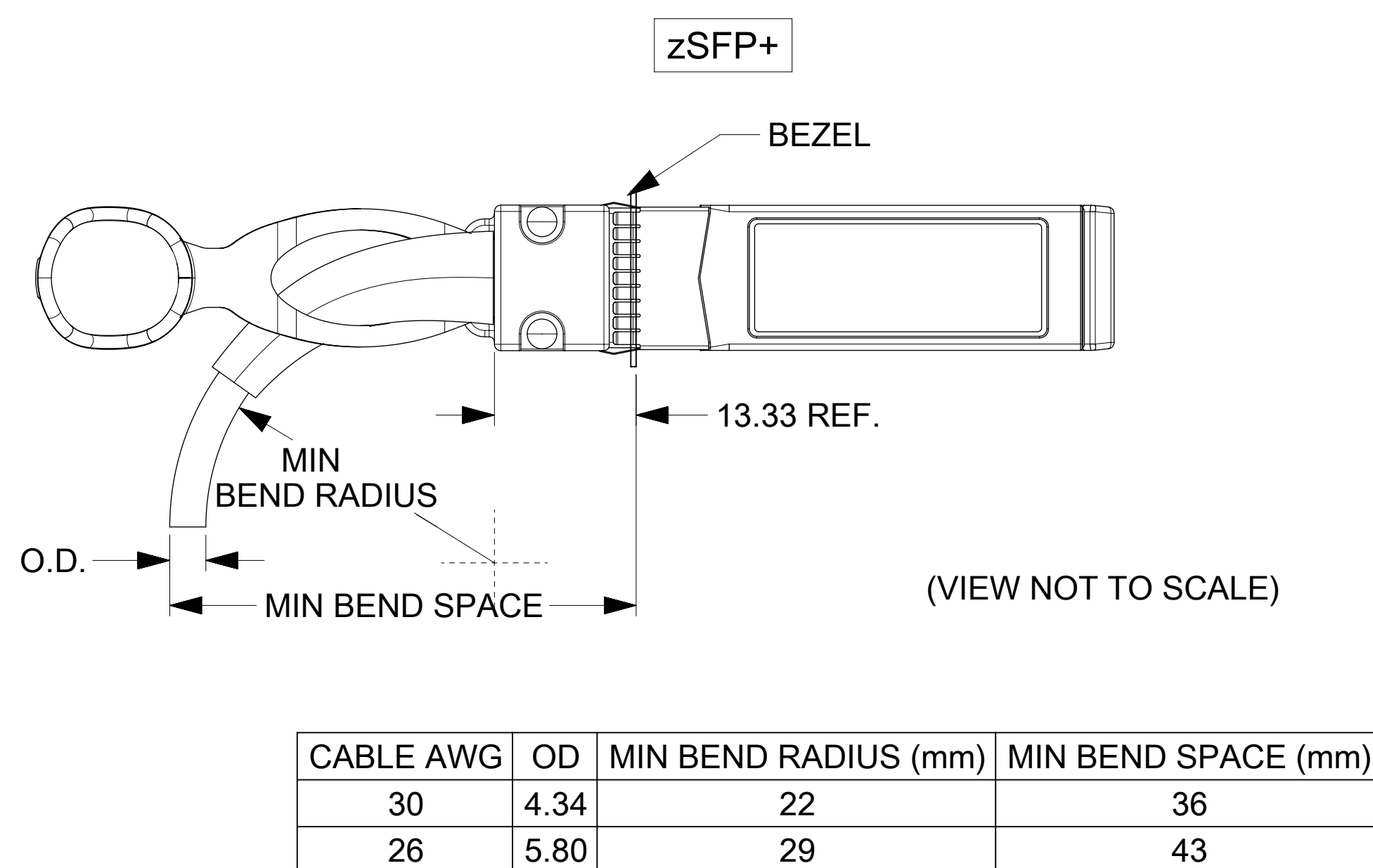
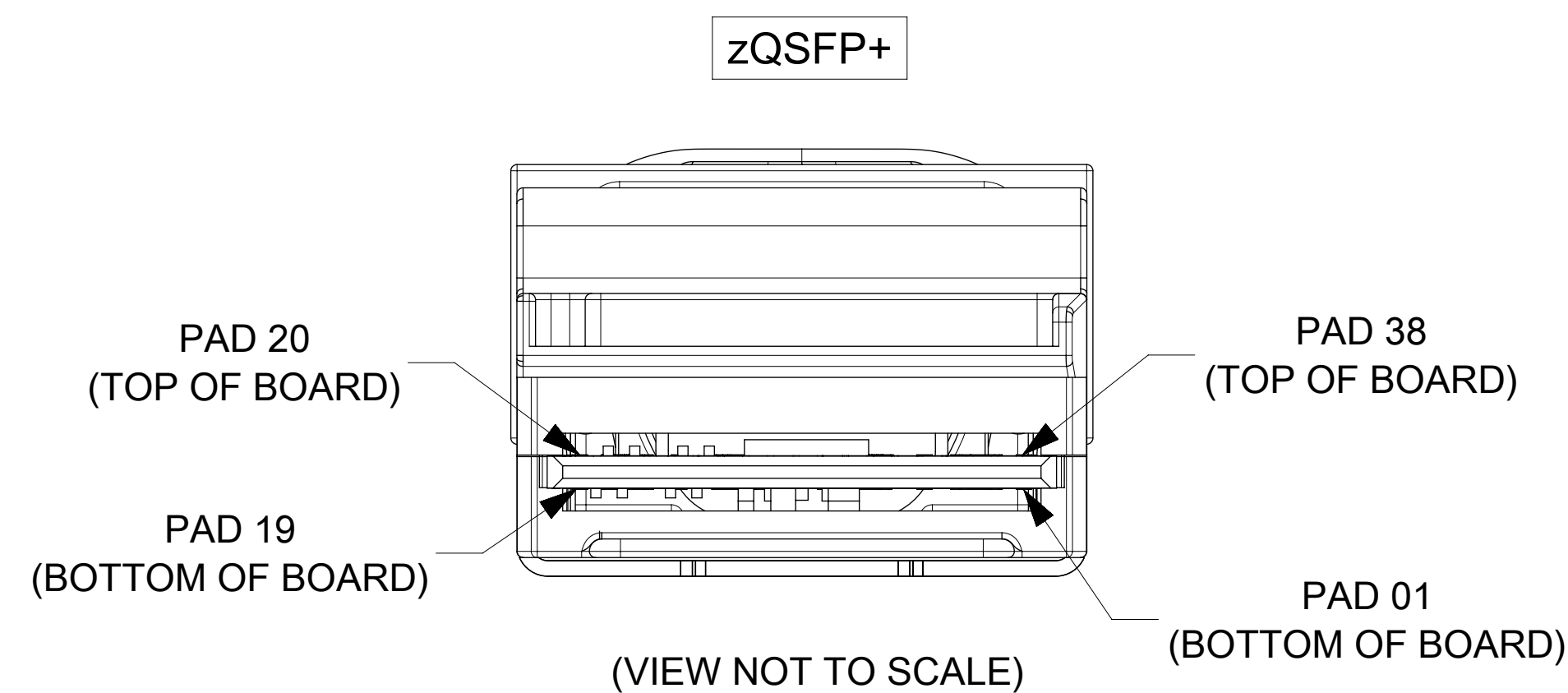
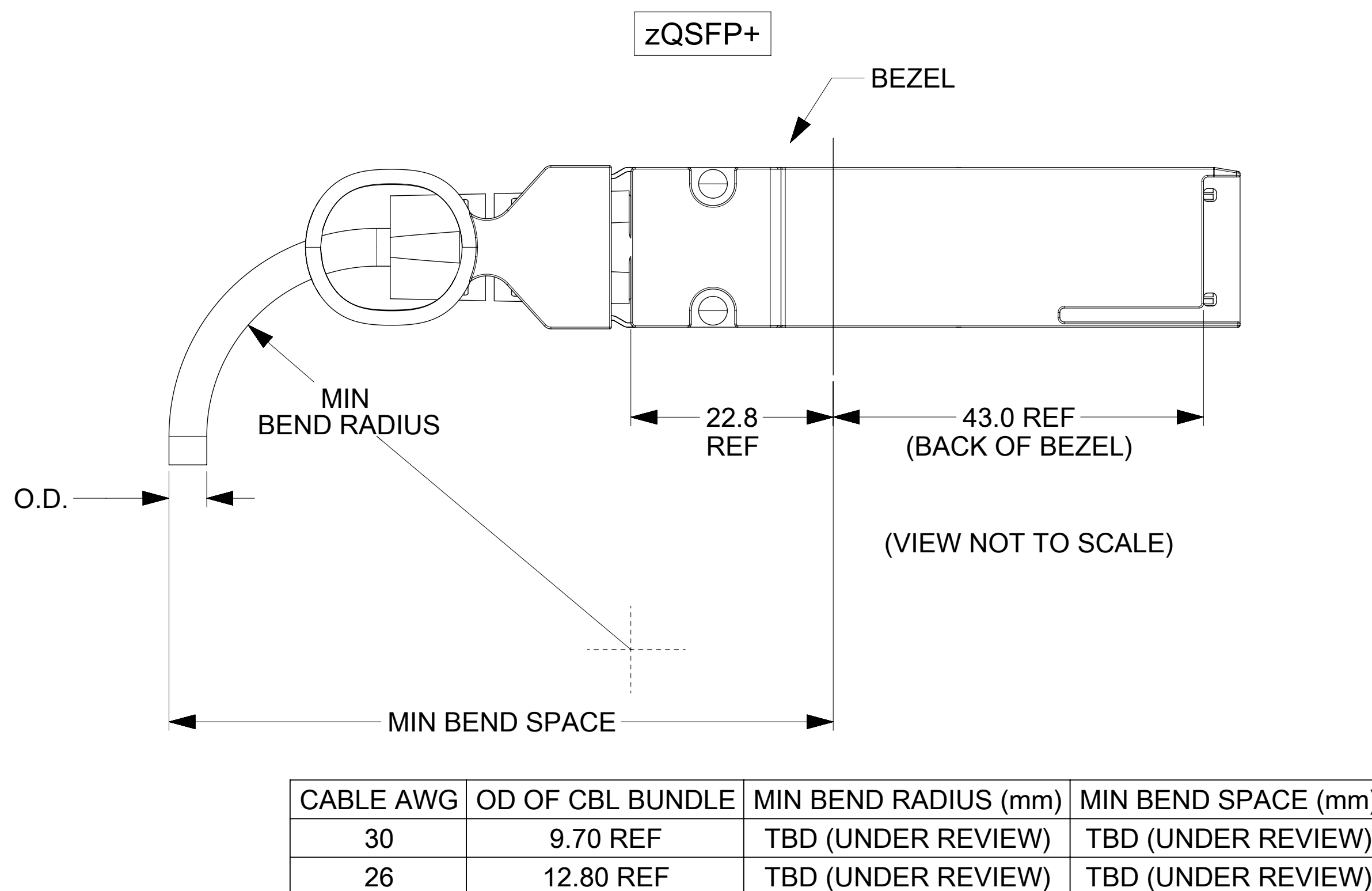
WIRING DIAGRAM					
zQSFP+		zSFP+		PLUG	
PAD	SIGNAL	SIGNAL	PAD		
38	GND	----	GND	A	
37	TX1-	--->	RD-		12
36	TX1+	--->	RD+		13
19	GND	----	GND		
17	RX1+	<---	TD+	18	
18	RX1-	<---	TD-	19	
01	GND	----	GND	B	
02	TX2-	--->	RD-		12
03	TX2+	--->	RD+		13
20	GND	----	GND		
22	RX2+	<---	TD+	18	
21	RX2-	<---	TD-	19	
35	GND	----	GND	C	
34	TX3-	--->	RD-		12
33	TX3+	--->	RD+		13
16	GND	----	GND		
14	RX3+	<---	TD+	18	
15	RX3-	<---	TD-	19	
04	GND	----	GND	D	
05	TX4-	--->	RD-		12
06	TX4+	--->	RD+		13
23	GND	----	GND		
25	RX4+	<---	TD+	18	
24	RX4-	<---	TD-	19	

LOW SPEED SIGNALS zQSFP+	
PAD	SIGNAL
08	ModSelL
09	ResetL
10	VccRx
11	SCL
12	SDA
27	ModPrsL
28	IntL
29	VccTx
30	Vcc1
31	LPMoDe

LOW SPEED SIGNALS zSFP+	
PAD	SIGNAL
02	Tx_Fault
03	Tx_Disable
04	SDA
05	SCL
06	Mod_ABS
07	RS0
08	Rx_LOS
09	RS1
15	VccR
16	VccT

LEGEND:
 ---- = DRAIN LINES
 ---> = TRANSMIT TO RECEIVE ON HIGH SPEED CIRCUITS

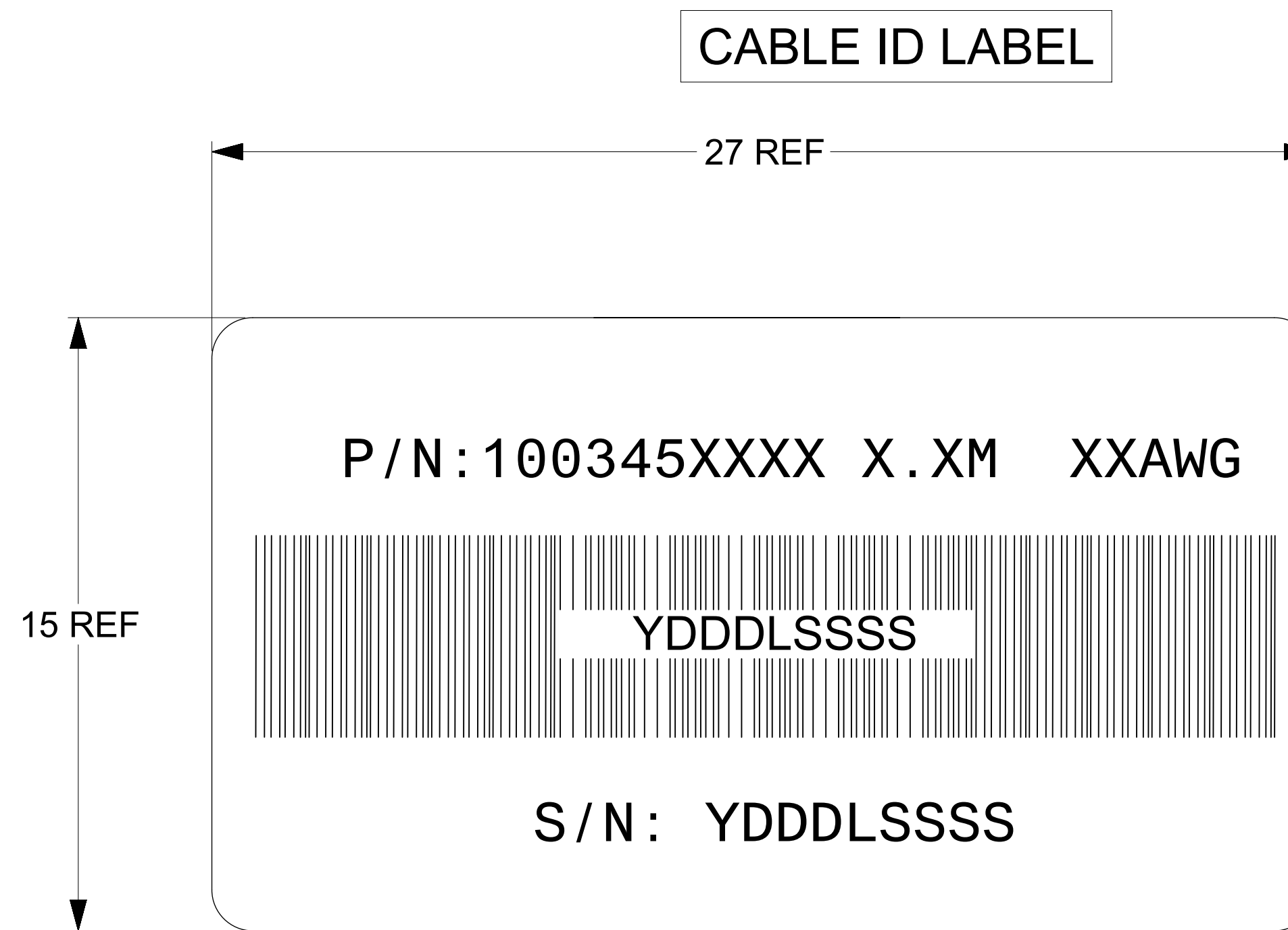
CABLE BEND RADIUS



QUALITY SYMBOLS F = 0 E = 0 D = 0 C = 0 B = 0 A = 0 0 = 0 1 = 0 2 = 0 3 = 0 4 = 0 5 = 0 6 = 0 7 = 0 8 = 0 9 = 0 10 = 0 11 = 0 12 = 0 13 = 0 14 = 0 15 = 0 16 = 0 17 = 0 18 = 0 19 = 0	THIS DRAWING CONTAINS INFORMATION THAT IS PROPRIETARY TO MOLEX ELECTRONIC TECHNOLOGIES, LLC AND SHOULD NOT BE USED WITHOUT WRITTEN PERMISSION		DIMENSION UNITS MM	SCALE 1:1	
	EC NO: 112432 DRWN: BCHEN06 CHKD: SRATKOVIC REV APPR: ADTUCKER	2017/01/10 2017/01/13 2017/01/18	GENERAL TOLERANCES (UNLESS SPECIFIED) ANGULAR TOL ± 1.0 ° 4 PLACES ± 3 PLACES ± 2 PLACES ± 0.13 1 PLACE ± 0.25 0 PLACES ± DRAFT WHERE APPLICABLE MUST REMAIN WITHIN DIMENSIONS	DRWN BY BCHEN06	
ADDED BEND RADIUS		SRATKOVIC 2017/01/13	CHKD BY SRATKOVIC	DATE 2017/01/13	PRODUCT CUSTOMER DRAWING
EC NO: 112432 DRWN: BCHEN06 CHKD: SRATKOVIC REV APPR: ADTUCKER		ADTUCKER 2017/01/18	APPR BY ADTUCKER	DATE 2017/01/18	
RELEASE STATUS P1		RELEASE DATE 12.12.2016 23:39:17		DRAWING SIZE D	THIRD ANGLE PROJECTION
DOCUMENT NUMBER 1003450001		DOC TYPE PSD		DOC PART SHEET NUMBER 000 2 OF 3	

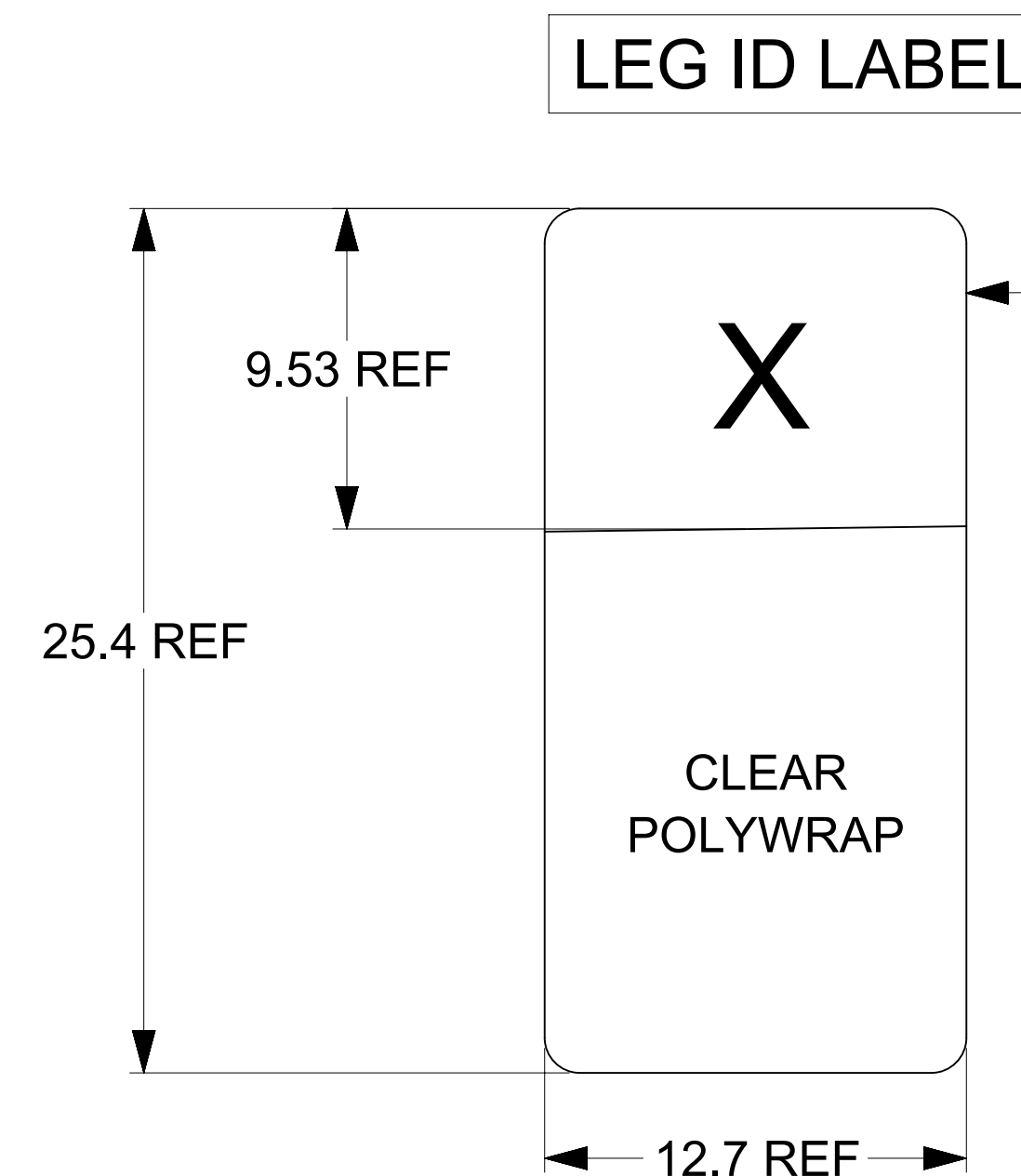
GENERAL MARKET

MOLEX P/N	CABLE LENGTH (M)	CABLE L'TH TOL (mm)	AWG	CBL MFG
1003451051	0.5	±30	30	TEMPFLEX
1003451101	1.0	±50	30	TEMPFLEX
1003451151	1.5	±50	30	TEMPFLEX
1003451201	2.0	±50	30	TEMPFLEX
1003451251	2.5	±50	30	TEMPFLEX
1003451301	3.0	±50	30	TEMPFLEX
1003453301	3.0	±50	26	TEMPFLEX
1003453351	3.5	±50	26	TEMPFLEX
1003453401	4.0	±50	26	TEMPFLEX
1003453451	4.5	±50	26	TEMPFLEX
1003453501	5.0	±80	26	TEMPFLEX



P/N (SEE P/N TABLE)
X.XM = LENGTH AS SHOWN IN TABLE
XXAWG = AWG SIZE

YDDLSSSS
Y = LAST DIGIT OF THE YEAR
DDD = DAY OF THE YEAR
L = LOCATION
1 = US
2 = MEXICO
3 = CHINA
4 = PHILIPPINES
SSSS = (0001-9999)



QUALITY SYMBOLS	THIS DRAWING CONTAINS INFORMATION THAT IS PROPRIETARY TO MOLEX ELECTRONIC TECHNOLOGIES, LLC AND SHOULD NOT BE USED WITHOUT WRITTEN PERMISSION											
▽ = 0	EC NO: 112432 DRWN: BCHEN06 CHKD: SRATKOVIC REV APPR: ADTUCKER	GENERAL TOLERANCES (UNLESS SPECIFIED)		DIMENSION UNITS	SCALE							
▽ = 0		ANGULAR TOL ± 1.0 °		MM	1:1							
▽ = 0		4 PLACES ±		DRWN BY	DATE	ZQSFP+ TO 4ZSFP+ 25G CBL ASSY						
▽ = 0		3 PLACES ±		BCHEN06	2017/01/10							
▽ = 0		2 PLACES ± 0.13		CHKD BY	DATE							
▽ = 0		1 PLACE ± 0.25		SRATKOVIC	2017/01/13	PRODUCT CUSTOMER DRAWING						
▽ = 0	0 PLACES ±		ADTUCKER	2017/01/18								
▽ = 0	DRAFT WHERE APPLICABLE MUST REMAIN WITHIN DIMENSIONS		DRAWING SIZE	THIRD ANGLE PROJECTION	SERIES	MATERIAL NUMBER	CUSTOMER					
▽ = 0			D		100345	SEE P/N TABLE	GENERAL MARKET					
▽ = 0					DOCUMENT NUMBER	1003450001	DOC TYPE	PSD	DOC PART	000	SHEET NUMBER	3 OF 3