



Chipsmall Limited consists of a professional team with an average of over 10 year of expertise in the distribution of electronic components. Based in Hongkong, we have already established firm and mutual-benefit business relationships with customers from,Europe,America and south Asia,supplying obsolete and hard-to-find components to meet their specific needs.

With the principle of “Quality Parts,Customers Priority,Honest Operation,and Considerate Service”,our business mainly focus on the distribution of electronic components. Line cards we deal with include Microchip,ALPS,ROHM,Xilinx,Pulse,ON,Everlight and Freescale. Main products comprise IC,Modules,Potentiometer,IC Socket,Relay,Connector.Our parts cover such applications as commercial,industrial, and automotives areas.

We are looking forward to setting up business relationship with you and hope to provide you with the best service and solution. Let us make a better world for our industry!



Contact us

Tel: +86-755-8981 8866 Fax: +86-755-8427 6832

Email & Skype: info@chipsmall.com Web: www.chipsmall.com

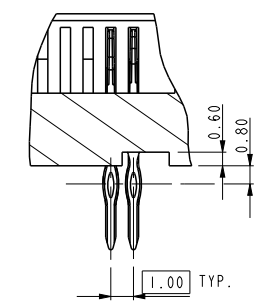
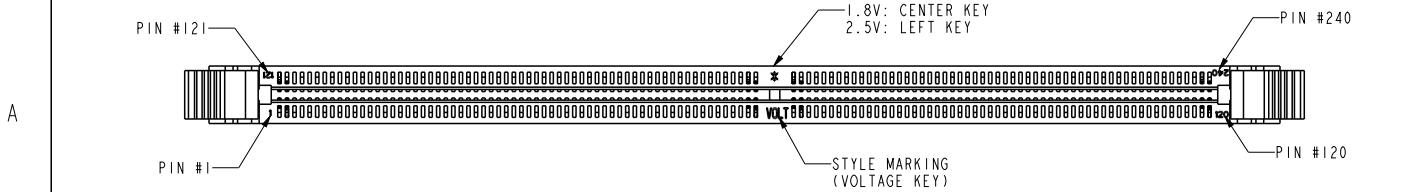
Address: A1208, Overseas Decoration Building, #122 Zhenhua RD., Futian, Shenzhen, China



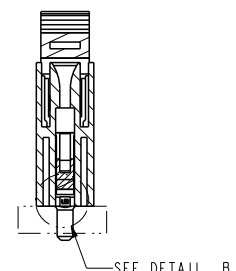
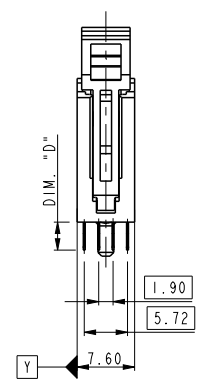
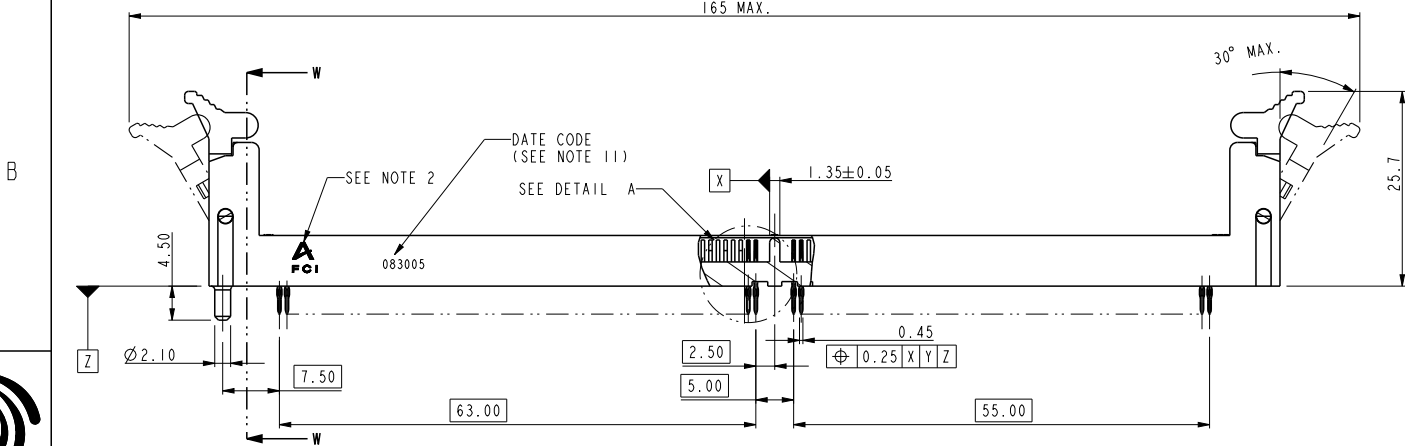
10034542-XXXXXX



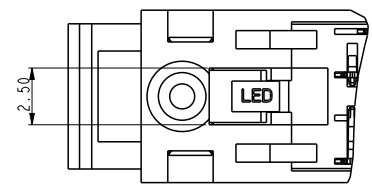
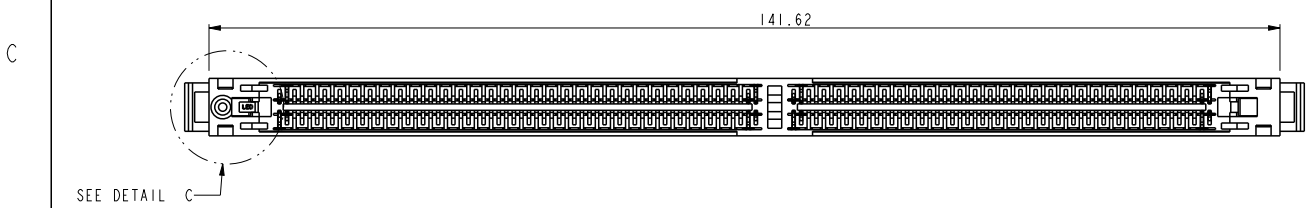
rev	ecn no	dr	date
N	DG07-0306	CS	2007-07-27
P	DG07-0416	CS	2007-10-22
R	DG-15684-1	ERIC	2013-11-08



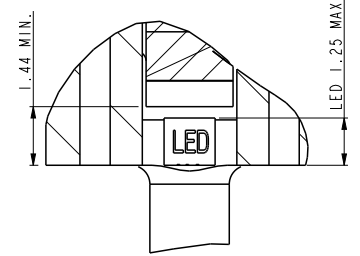
DETAIL A
SCALE 3.000



SECTION W-W
SCALE 1.000



DETAIL C
SCALE 3.000



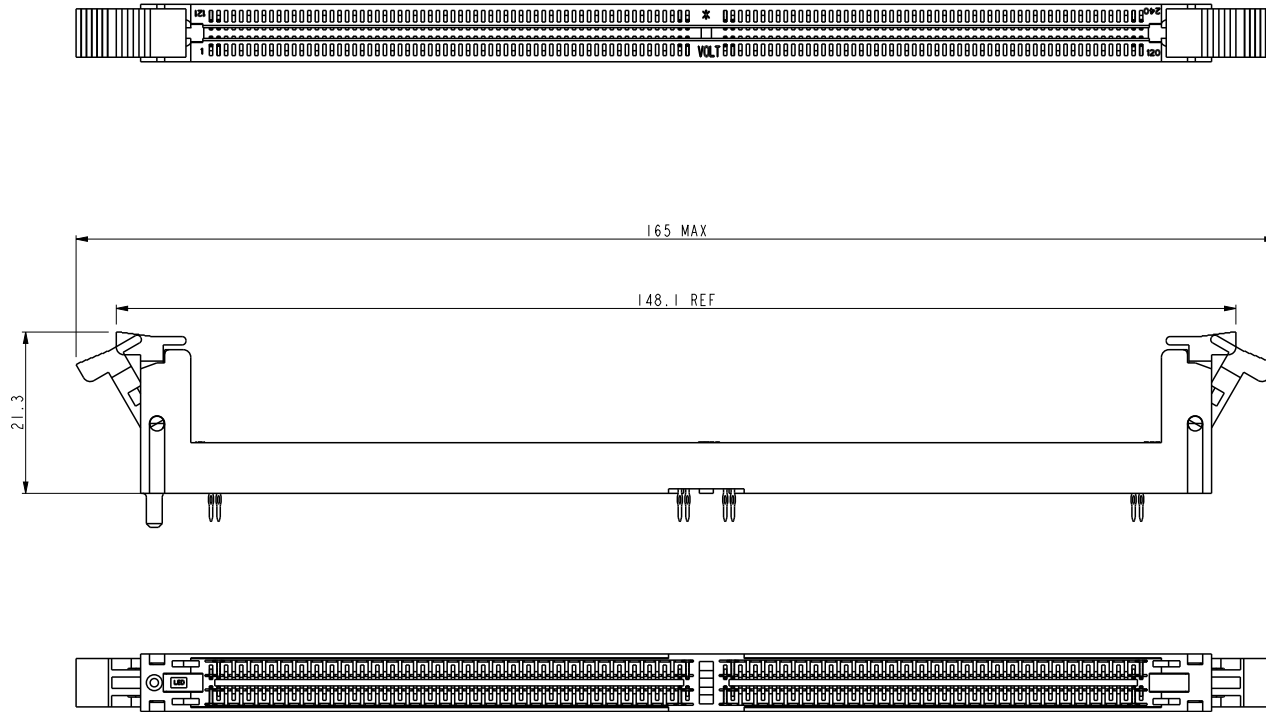
DETAIL B
SCALE 5.000

Copyright FCI.

spec ref	*	dr	Rick Bian	2010/07/03	projection 	MM ←→	size	A4	scale	0.500
tolerance std	TOLERANCES UNLESS OTHERWISE SPECIFIED	eng	Eric Jiang	2013/11/25			product family	ecn no	ELX-DG-15684-1	
ASME Y14.5		chr	Tian-Xu Huang	2013/11/25				rel level	Released	
surface	✓	appr	Pei-Ming Zheng	2013/11/25	title	dwg no	10034542	rev	R	
ASME Y14.5		linear	0.X	±0.38						www.fci.com
	angular	0°	±2°							

ProjE File - REV C - 2009-06-09

10034542-XXXXXCXX

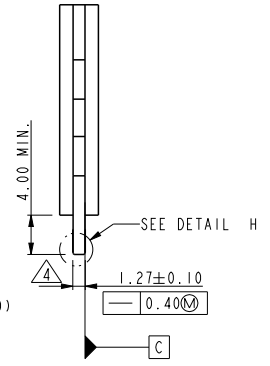
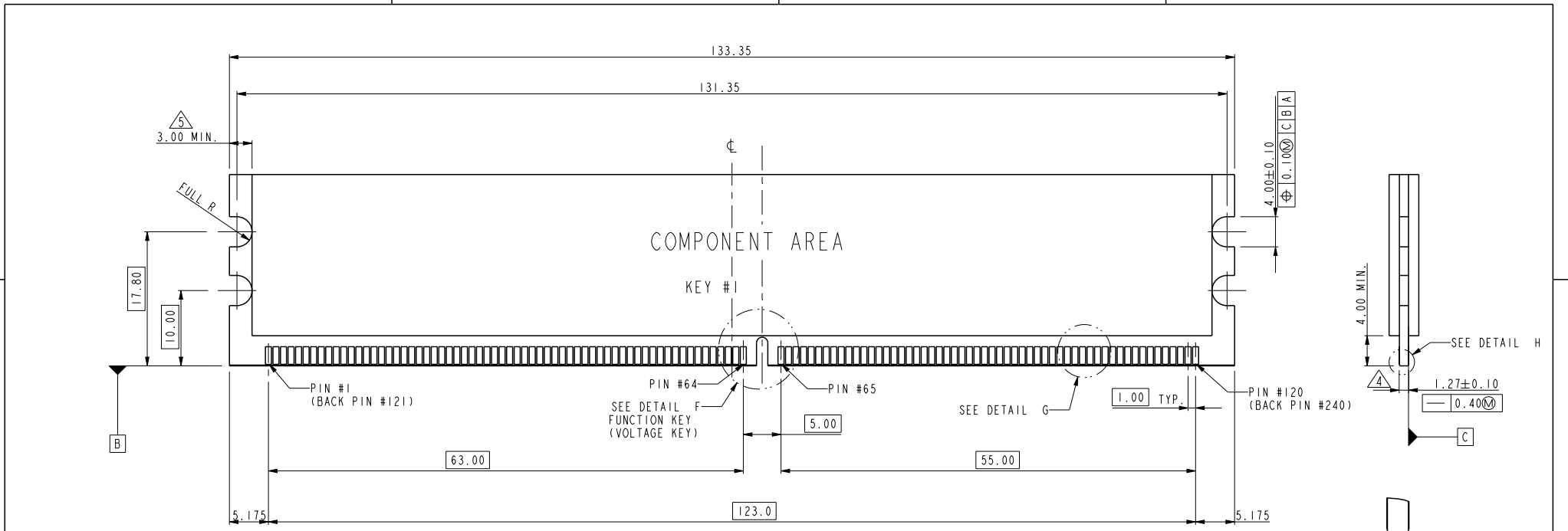


ALL DIMENSIONS ARE SAME TO PAGE 1 EXCEPT MARKED IN THE ABOVE

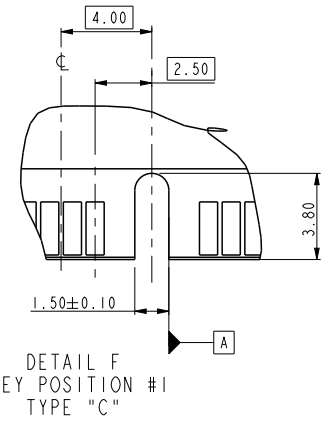
spec ref		*		dr	Rick Bian	2010/07/03	projection 	MM ←→	size	A4	scale	0.500
tolerance std		TOLERANCES UNLESS OTHERWISE SPECIFIED		eng	Eric Jiang	2013/11/25			ecn no	ELX-DG-15684-1		
ASME Y14.5				chr	Tian-Xu Huang	2013/11/25				rel level		Released
surface		linear	0.X	±0.38	FCI	title	DDR II 240P PRESS-FIT	dwg no	10034542		rev	R
ASME Y14.5			0.XX	±0.25								
		angular	0.XXX	±0.13	www.fci.com	cat. no.	*	Product - Customer Drw		sheet 2 of 5		
			0°	±2°								



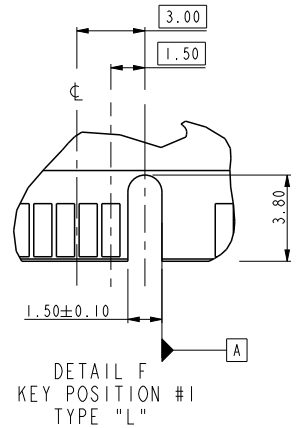
Copyright FCI.



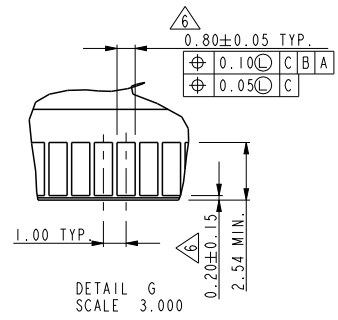
DETAIL H
SCALE 3.000



DETAIL F
KEY POSITION #1
TYPE "C"



DETAIL F
KEY POSITION #1
TYPE "L"



DETAIL G
SCALE 3.000

NOTE:
1. MATERIAL : FR-4.
2. FINISH: SOLDER MASK.
3. BURR: 0.08 MAX.

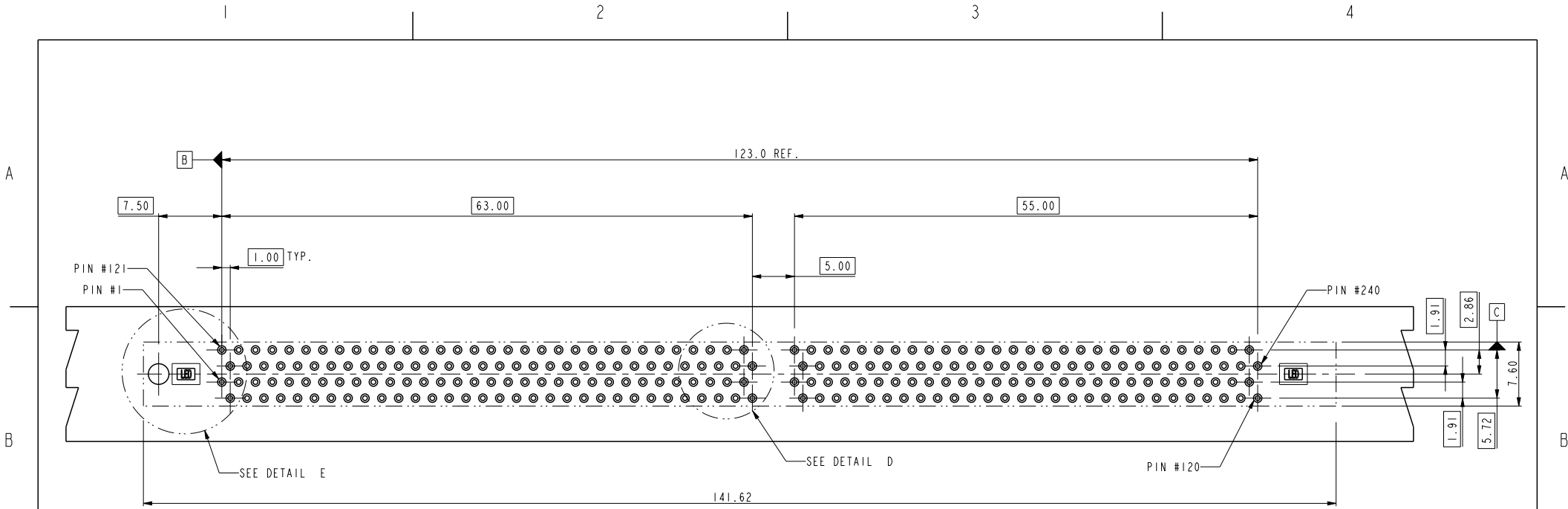
TYPE "L"	2.5 VOLTAGE
TYPE "C"	1.8 VOLTAGE
SUB KEY POS #1	DESCRIPTION

spec ref	*	dr	Rick Bian	2010/07/03	projection	MM	size	A4	scale	0.500
tolerance std	ASME Y14.5	eng	Eric Jiang	2013/11/25			ecn no	ELX-DG-15684-1		
TOLERANCES UNLESS OTHERWISE SPECIFIED		chr	Tian-Xu Huang	2013/11/25				rel level	Released	
surface	linear	appr	Pei-Ming Zheng	2013/11/25	product family		rev	10034542		
ASME Y14.5	angular									R
	0.X									
	0.XX									
	0.XXX									
	0°									
	±0.38									
	±0.25									
	±0.13									
	±2°									
		www.fci.com			cat. no.	*	Product - Customer Drw	sheet 3 of 5		

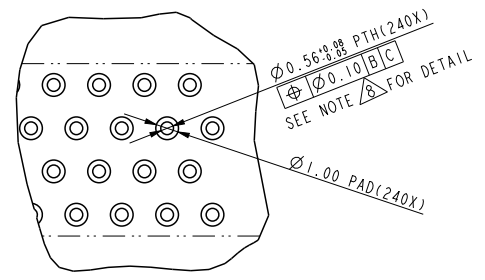
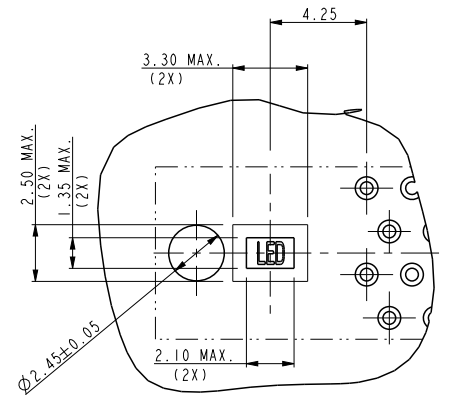
PrdE File - REV C - 2009-06-09



Copyright FCI.



RECOMMEND CIRCUIT BOARD HOLE LAYOUT



spec ref	*	dr	Rick Bian	2010/07/03	projection 	MM ←→	size	A4	scale	0.500
tolerance std	TOLERANCES UNLESS OTHERWISE SPECIFIED	eng	Eric Jiang	2013/11/25			ecn no	ELX-DG-15684-1		
ASME Y14.5		chr	Tian-Xu Huang	2013/11/25				rel level	Released	
surface	✓	appr	Pei-Ming Zheng	2013/11/25	product family					
ASME Y14.5		linear			title	DDR II 240P PRESS-FIT	dwg no	10034542	rev	R
	0.X	±0.38								
	0.XX	±0.25								
	0.XXX	±0.13	www.fci.com	cat. no.	*	Product - Customer Drw	sheet 4 of 5			
	angular	0°	±2°							

PrdE File - REV C - 2009-06-09

10034542-□ □ □ □ □ □ □ □



STYLE: MECHANICAL KEYING
 1 : 1.8 VOLT. W/CENTER KEY #1
 2 : 2.5 VOLT. W/LEFT KEY #1

REVISE
 0

TAIL LENGTH

CODE	DIM. "D"
0	3.30
1	3.70
2	4.20

FOR ROHS OPTION:
 BLANK: TIN LEAD
 LF: LEAD FREE

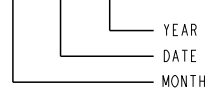
FOR LATCH TYPE OPTION:
 BLANK: TALL LATCH
 C: SHORT LATCH

CODE	CONTACT	TAIL AREA	UNDERPLATE	CODE	CONTACT	TAIL AREA	UNDERPLATE
2	15u"(0.38um) MIN. GOLD	35u"-100u" Tin PLATING	50u"(1.27um) MIN. NICKEL OVERALL	2B	15u"(0.38um) MIN. GOLD	35u"-100u" Tin/Lead PLATING	50u"(1.27um) MIN. NICKEL OVERALL
3	30u"(0.76um) MIN. GOLD			3B	30u"(0.76um) MIN. GOLD		
4	3u"(0.076um) MIN. GOLD			4B	3u"(0.076um) MIN. GOLD		
6	15u"(0.38um) MIN. GOLD (LUBRICATED)			6B	15u"(0.38um) MIN. GOLD (LUBRICATED)		
7	30u"(0.76um) MIN. GOLD (LUBRICATED)	35u"-100u" Tin PLATING	50u"(1.27um) MIN. NICKEL OVERALL	7B	30u"(0.76um) MIN. GOLD (LUBRICATED)	35u"-100u" Tin/Lead PLATING	50u"(1.27um) MIN. NICKEL OVERALL
8	3u"(0.076um) MIN. GOLD (LUBRICATED)			8B	3u"(0.076um) MIN. GOLD (LUBRICATED)		

NOTE:

- MATERIAL:
 HOUSING: HIGH PERFORMANCE RESINS, GLASS FILLED UL94V-0 RATED, COLOR: BLACK.
 EJECTOR: HIGH PERFORMANCE RESINS, GLASS FILLED UL94V-0 RATED, COLOR: NATURAL.
 TERMINAL: COPPER ALLOY.
- FCI LOGO TO BE APPROXIMATELY LOCATED AS SHOWN ON PRINT.
- PRODUCT SPECIFICATION: GS-12-273
- CARD THICKNESS APPLIES ACROSS TABS AND INCLUDES PLATING AND / OR METALIZATION.
- 3.00mm MINIMUM APPLIES TO BOTH 4.00mm WIDE NOTCH LENGTH AND COMPONENT KEEPOUT AREA.
- LEADING EDGE OF CONTACT PADS SPECIFIED BY THE KEEP OUT ZONE SHALL BE FREE OF BURRS AND EXTERNAL TIE BARS.
 FOR OPTIMUM PERFORMANCE, THE TIE BAR IS TO BE ON AN INTERNAL LAYER SO THAT THE REMNANT CANNOT CAUSE CONTACT DAMAGE.
- PACKAGING SPECIFICATION: GS-14-528.
- ALL PTH SHOULD BE 0.66mm DIA DRILLED AND 0.025mm MIN. ELECTRO-DEPOSITED COPPER THK ON THROUGH HOLE WALL.
- THIS PRODUCT MEETS EUROPEAN UNION DIRECTIVES AND OTHER COUNTRY REGULATIONS AS DESCRIBED IN GS-22-008.
- THE HOUSING WILL WITHSTAND EXPOSURE TO 260° PEAK TEMPERATURE FOR 20 SECONDS IN A IR REFLOW OVEN.

DATE CODE: X X X X X X



COLOR OF HOUSING AN EJECTOR

- 0 : BLACK HOUSING + IVORY EJECTOR
- 1 : BLACK HOUSING + AMBER EJECTOR
- 2 : BLACK HOUSING + BLACK EJECTOR
- 3 : BLUE HOUSING + IVORY EJECTOR
- 4 : BLUE HOUSING + AMBER EJECTOR



Copyright FCI.

12. A SYMBOL WILL BE NEXT TO ANY DIMENSION, VIEW, OR NOTE WHICH HAS BEEN MODIFIED WITH THE CURRENT DRAWING REVISION

dr	Rick Bian	2010/07/03	projection 	MM 	size	A4	scale	0.500
eng	Eric Jiang	2013/11/25			ecn no	ELX-DG-15684-1		
chr	Tian-Xu Huang	2013/11/25			rel level	Released		
appr	Pei-Ming Zheng	2013/11/25	product family				rev	R
		title	DDR II 240P PRESS-FIT		dwg no	10034542		
www.fci.com		cat. no.	*	Product - Customer Drw			sheet 5 of 5	