



Chipsmall Limited consists of a professional team with an average of over 10 year of expertise in the distribution of electronic components. Based in Hongkong, we have already established firm and mutual-benefit business relationships with customers from,Europe,America and south Asia,supplying obsolete and hard-to-find components to meet their specific needs.

With the principle of “Quality Parts,Customers Priority,Honest Operation,and Considerate Service”,our business mainly focus on the distribution of electronic components. Line cards we deal with include Microchip,ALPS,ROHM,Xilinx,Pulse,ON,Everlight and Freescale. Main products comprise IC,Modules,Potentiometer,IC Socket,Relay,Connector.Our parts cover such applications as commercial,industrial, and automotives areas.

We are looking forward to setting up business relationship with you and hope to provide you with the best service and solution. Let us make a better world for our industry!



Contact us

Tel: +86-755-8981 8866 Fax: +86-755-8427 6832

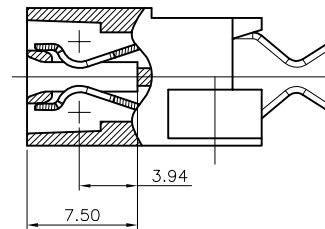
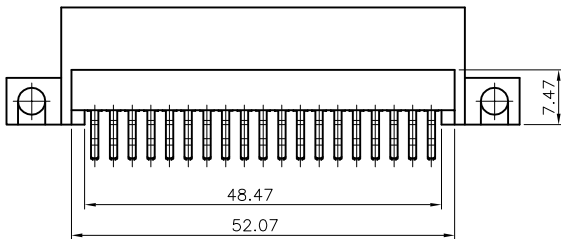
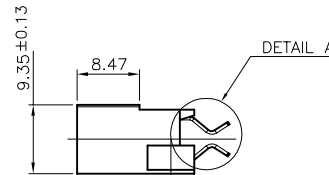
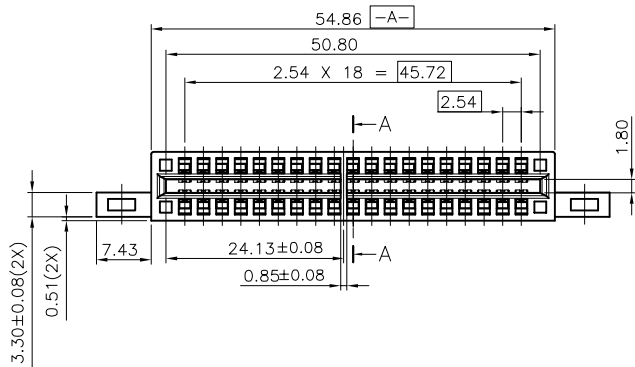
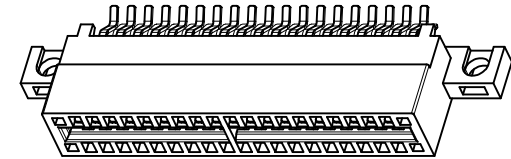
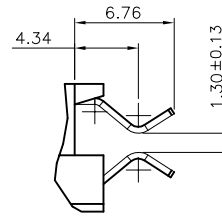
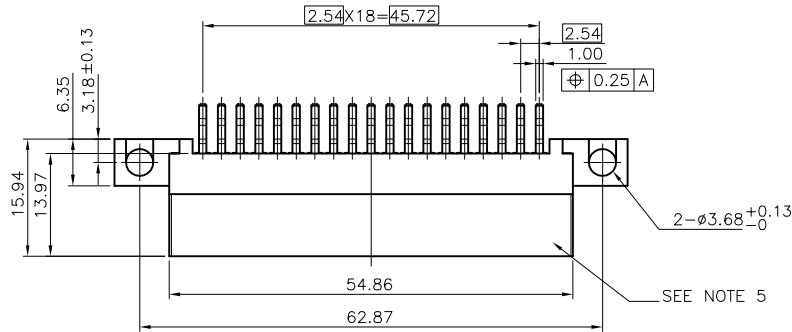
Email & Skype: info@chipsmall.com Web: www.chipsmall.com

Address: A1208, Overseas Decoration Building, #122 Zhenhua RD., Futian, Shenzhen, China





PRODUCT NO.
10034908-001
10034908-001LF



NOTE:

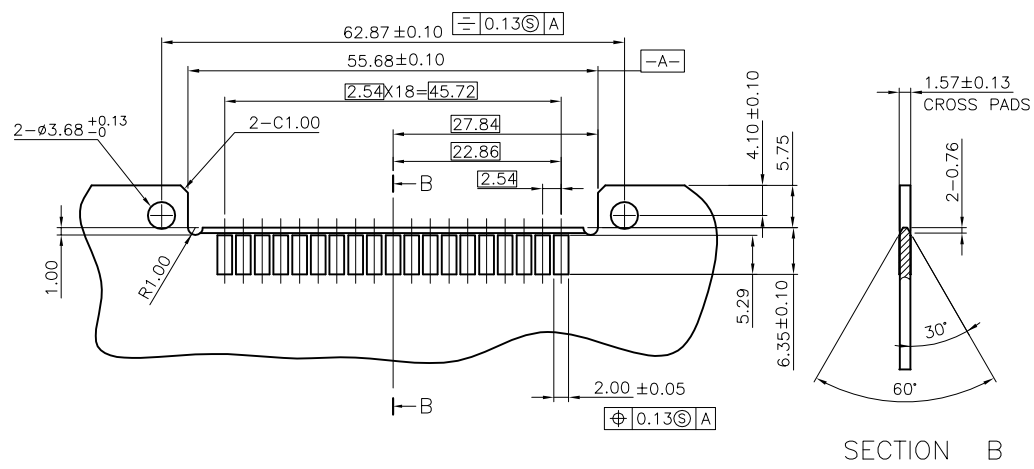
- MATERIAL:
HOUSING: HIGH TEMPERATURE THERMOPLASTIC, UL 94 V-0 FLAME RETARDANT, BLACK.
TERMINAL: HIGH CONDUCTIVITY COPPER ALLOY.
- PLATING: CONTACT AREA: Au 30u" OVER Ni 50u" UNDERPLATED.
SOLDER TAIL: 100u" MATTE PURE TIN OVER Ni 50u" UNDERPLATED.
PART NUMBER 10034908-001LF MEETS EUROPEAN UNION DIRECTIVE AND OTHER COUNTRY REGULATIONS AS DESCRIBED IN GS-22-008; THE HOUSING WILL WITHSTAND EXPOSURE TO 260°C PEAK TEMPERATURE FOR 10 SECONDS IN A REFLOW SOLDER APPLICATION WITH A CIRCUIT BOARD.
- PRODUCT SPECIFICATION: GS-12-279.
- PACKAGING SPEC: GS-14-937.
- MANUFACTURER'S NAME, P/N AND DATE CODE TO APPEAR ON THIS SURFACE AS PER GS-24-007.

mat'l. code				tolerances unless otherwise specified		CUSTOMER COPY		FCI www.fciconnect.com	
ltr	ecn no	dr	date	linear	.X ± 0.8	projection	title		
H	dg06-0306	RYAN	07/30/06		.XX ± 0.25		STRADDLE MOUNT TYPE		
J	dg06-0485	RYAN	11/21/06		.XXX ± 0.13		OF POWER EDGE CONNECTOR		
K	dg06-0524	JULIA	12/26/06	angles	0° ± 2°		product family	PWR EDGE CARD	code
D	dg05-0273	SW	08/09/05	dr	Benny Chen	01/14/04	size	dwg no	—
E	dg05-0287	SW	08/18/05	engr	Benny Chen	01/14/04	scale	10034908	sheet
F	dg05-0339	SW	09/20/05	chr	Paul Wang	01/14/04	5/4	1 of 2	
G	dg05-0538	SW	12/13/05	appd	David Su	07/26/04			
sheet index	revision sheet	K	K						
		1	2						

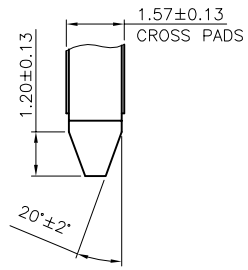
Tous droits strictement reserves. Reproduction ou communication a des tiers interdite sous quelque forme que ce soit sans autorisation ecrite du proprietaire. Propriete de © FCI ELECTRONICS. Droits de reproduction FCI ELECTRONICS INC.

All rights strictly reserved. Reproduction or issue to third parties in any form whatever is not permitted without written authority from the proprietor. Copyright FCI ELECTRONICS INC. Property of © FCI ELECTRONICS

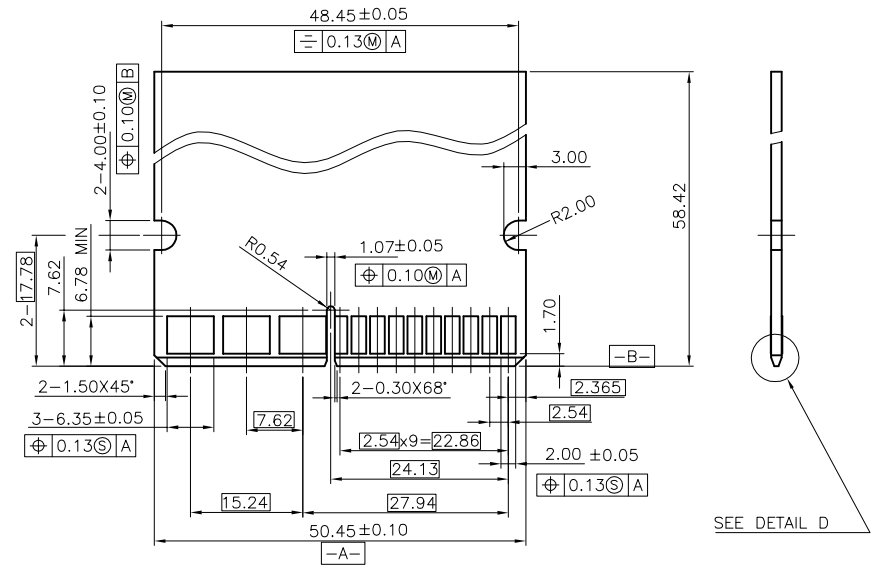
PRODUCT NO.
10034908-001
10034908-001LF



RECOMMENDED PC BOARD LAYOUT FOR CONNECTOR SOLDER TAILS



DETAIL D
SCALE 5:1



RECOMMENDED MATING BOARD EDGE CONFIGURATION

mat'l. code		tolerances unless otherwise specified		CUSTOMER COPY		FCI www.fciconnect.com	
ltr	ecn no	dr	date	linear	.X ± 0.8	projection	title
K				linear	.XX ± 0.25		STRADDLE MOUNT TYPE OF POWER EDGE CONNECTOR
				linear	.XXX ± 0.13		product family
				angles	0° ± 2'	size	dwg no
				dr	Benny Chen	01/14/04	
				engr	Benny Chen	01/14/04	
				chr	Paul Wang	01/14/04	
				appd	David Su	07/26/04	
sheet index	revision sheet			scale	5/4	mm	code
						A3	10034908
							sheet 2 of 2