



Chipsmall Limited consists of a professional team with an average of over 10 year of expertise in the distribution of electronic components. Based in Hongkong, we have already established firm and mutual-benefit business relationships with customers from,Europe,America and south Asia,supplying obsolete and hard-to-find components to meet their specific needs.

With the principle of “Quality Parts,Customers Priority,Honest Operation,and Considerate Service”,our business mainly focus on the distribution of electronic components. Line cards we deal with include Microchip,ALPS,ROHM,Xilinx,Pulse,ON,Everlight and Freescale. Main products comprise IC,Modules,Potentiometer,IC Socket,Relay,Connector.Our parts cover such applications as commercial,industrial, and automotives areas.

We are looking forward to setting up business relationship with you and hope to provide you with the best service and solution. Let us make a better world for our industry!



## Contact us

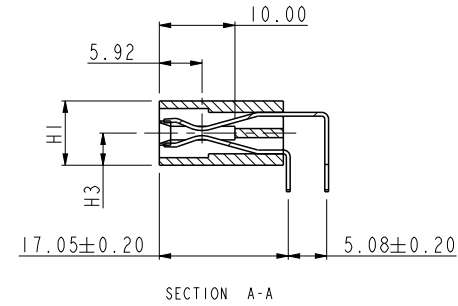
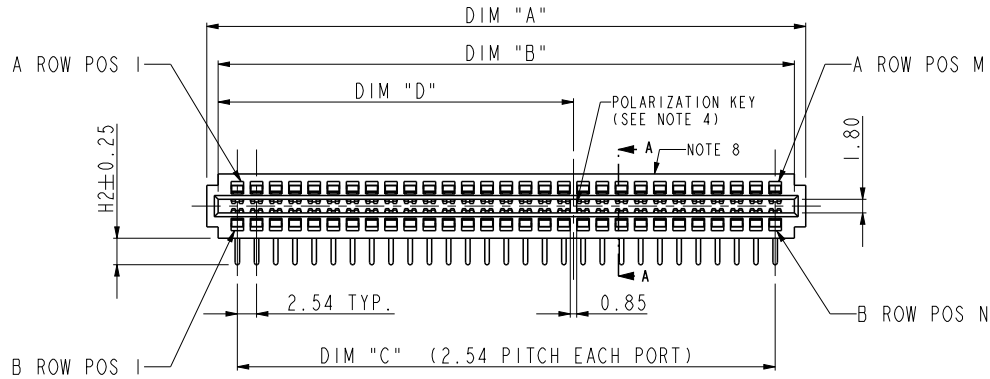
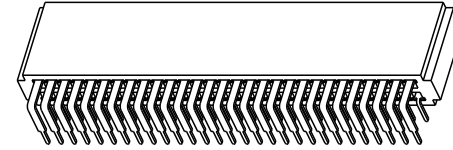
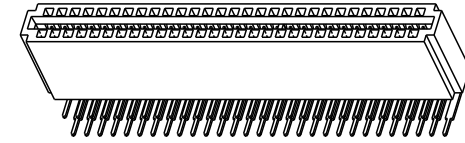
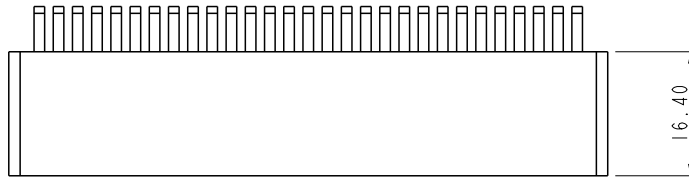
Tel: +86-755-8981 8866 Fax: +86-755-8427 6832

Email & Skype: info@chipsmall.com Web: www.chipsmall.com

Address: A1208, Overseas Decoration Building, #122 Zhenhua RD., Futian, Shenzhen, China



PRODUCT NO.  
10035388-XXX\_ \_  
NOTE: 5



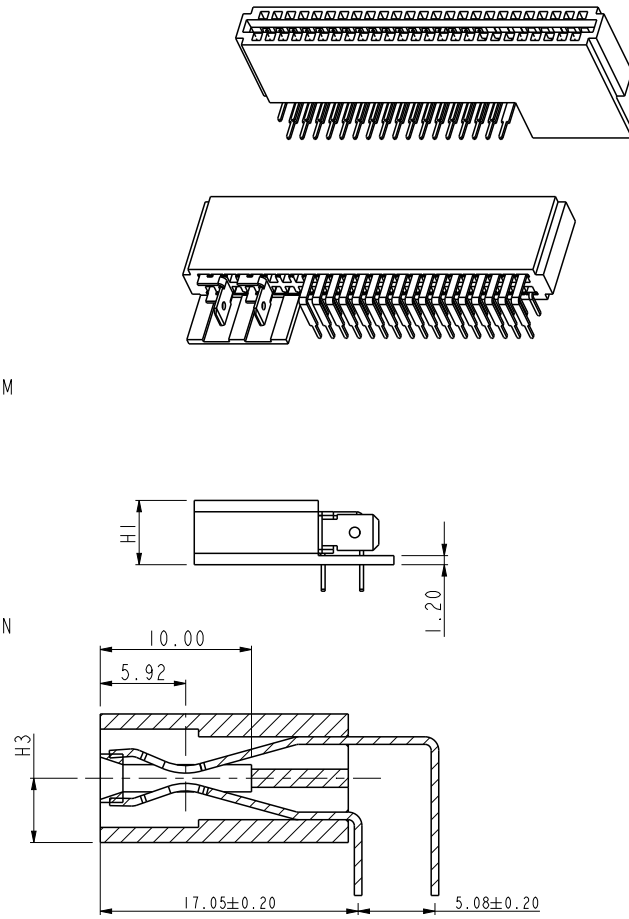
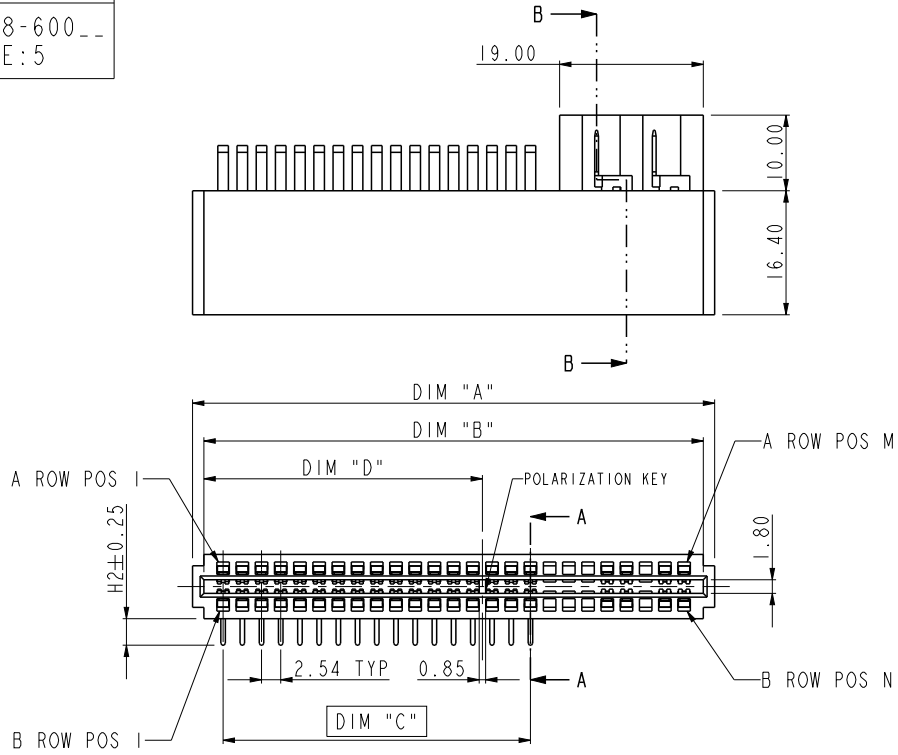
NOTE:

- MATERIAL:  
HOUSING: HIGH TEMPERATURE THERMOPLASTIC, UL 94 V-0 RATED, BLACK.  
TERMINAL: HIGH CONDUCTIVITY COPPER ALLOY.
- PRODUCT SPECIFICATION: GS-12-259.
- PACKAGE SPECIFICATION: GS-14-937
- THERE IS NO POLARIZATION KEY IN 10035388-102/103/104/105/106/107/108/110/114/119/120/121/122/123/202/203/204/205/206/500/700/800/802/902/903/904/905/909/910/911/912/913.
- PLATING SPEC:  
10035388-XXX:  
POWER PIN: CONTACT AREA - 30u" GOLD OVER 50u" NICKEL UNDER PLATED.  
SOLDER TAIL - 100u" TIN/LEAD OVER 50u" NICKEL UNDER PLATED.  
AC TERMINAL: 50u" NICKEL UNDER PLATED; 30u" GOLD ON CONTACT AREA.  
10035388-XXXLF:  
POWER PIN: CONTACT AREA - 30u" GOLD OVER 50u" NICKEL UNDER PLATED.  
SOLDER TAIL - 100u" PURE MATTE TIN OVER 50u" NICKEL UNDER PLATED.  
AC TERMINAL: 50u" NICKEL UNDER PLATED; 30u" GOLD ON CONTACT AREA.

- P/N 10035388-XXXLF MEETS EUROPEAN UNION DIRECTIVE AND OTHER COUNTRY REGULATIONS AS DESCRIBED IN GS-22-008.
- THE HOUSING WILL WITHSTAND EXPOSURE TO 260°C PEAK TEMPERATURE FOR 10 SECONDS IN A WAVE SOLDER APPLICATION WITH A CIRCUIT BOARD.
- PRODUCT MARKING ON HOUSING IN AREA SHOWN MEETS AFCI SPECIFICATION: GS-24-007.
- A SYMBOL WILL BE NEXT TO ANY DIMENSION, VIEW, OR NOTE WHICH HAS BEEN MODIFIED WITH THE CURRENT DRAWING REVISION.

spec ref		*		dr	De-Ming Lu	2014/08/06	projection 	MM ←→	size	A4	scale	1:1	
tolerance std		TOLERANCES UNLESS OTHERWISE SPECIFIED		eng	Leborn Luo	2018/02/05			product family	-	ecn no	ELX-DG-29258-1	
ISO 406 ISO 1101				chr	Feng Zheng	2018/02/06				rel level	Released		
surface		linear	0.X	±0.5	appr	Pei-Ming Zheng				2018/02/06	dwg no		
ISO 1302			0.XX	±0.25	Amphenol FCI		title		POWER EDGE CARD CONNECTOR		10035388		rev
		angular	0°	±2°	cat. no.		-		Product - Customer Drw		sheet 1 of 6		
			0.XXX	±0.10							AN		

PRODUCT NO.  
10035388-600\_\_  
NOTE: 5



NOTE:  
(APPLY TO 10035388-600\_\_ AS ADDITIONAL)

- 10. THE EMPTY POSITIONS ARE 18, 19, 20, 23.
- 11. THERE ARE 2 AC TERMINALS.

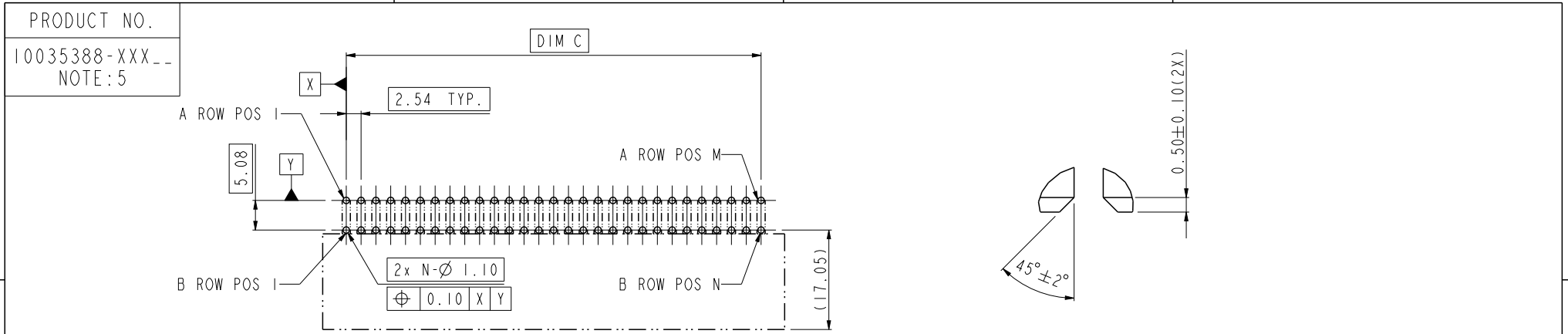
spec ref	*	dr	De-Ming Lu	2014/08/06	projection	MM	size	A4	scale	1:1	
tolerance std	TOLERANCES UNLESS OTHERWISE SPECIFIED	eng	Leborn Luo	2018/02/05				ecn no	ELX-DG-29258-1		
ISO 406		chr	Feng Zheng	2018/02/06		product family		-	rel level	Released	
ISO 1101		appr	Pei-Ming Zheng	2018/02/06					rev	AN	
surface	linear	<b>Amphenol FCI</b>			title POWER EDGE CARD CONNECTOR WITHOUT SIGNAL ASSY		dwg no 10035388		sheet 2 of 6		
	0.X										±0.5
	0.XX										±0.25
	0.XXX	±0.10									
ISO 1302	angular	0°	±2°								
		cat. no.			Product - Customer Drw						

A

B

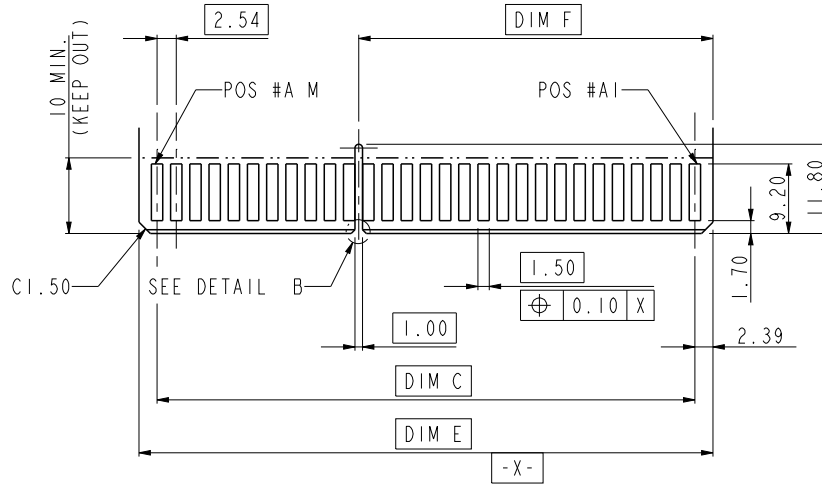
C

D

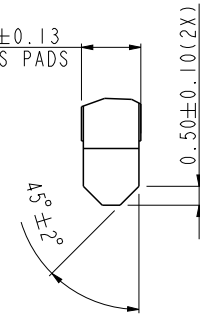
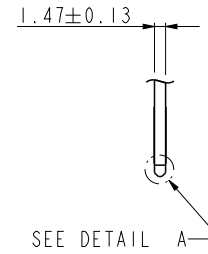


RECOMMENDED PCB LAYOUT

DETAIL B  
SCALE 5:1



RECOMMENDED DAUGHTER CARD LAYOUT (TOP SIDE)



DETAIL A  
SCALE 5:1

spec ref	*	dr	De-Ming Lu	2014/08/06	projection	MM	size	A4	scale	1:1				
tolerance std	TOLERANCES UNLESS OTHERWISE SPECIFIED	eng	Leborn Luo	2018/02/05			ecn no	ELX-DG-29258-1						
ISO 406		chr	Feng Zheng	2018/02/06				rel level	Released					
ISO 1101		appr	Pei-Ming Zheng	2018/02/06	product family	-								
surface	linear		<b>Amphenol FCI</b>	title POWER EDGE CARD CONNECTOR WITHOUT SIGNAL ASSY	dwg no 10035388	rev AN	ISO 1302		angular 0° ±2°					
							0.X	±0.5	cat. no.		Product - Customer Drw		sheet 3 of 6	
							0.XX	±0.25						
		0.XXX	±0.10											

1

2

3

	1	2	3	4									
	PRAT NO.	DIM"A"	DIM"B"	DIM"C"	DIM"D"	DIM"E"	DIM"F"	H1	H2	H3	PIN CONFIGURATION	M	N
	10035388-000 10035388-000LF	79.20	76.20	71.12	46.99	75.90	46.84	8.50	3.50	4.25	ALL LOADED	29	29
A	10035388-001 10035388-001LF	79.20	76.20	71.12	46.99	75.90	46.84	8.50	3.50	4.25	AI  A29 BI  B29	29	29
	10035388-100 10035388-100LF	69.04	66.04	60.96	36.83	65.74	36.68	8.50	3.50	4.25	ALL LOADED	25	25
	10035388-101 10035388-101LF	69.04	66.04	60.96	36.83	65.74	36.68	8.50	3.50	4.25	AI  A25 BI  B25	25	25
	10035388-102 10035388-102LF	69.04	66.04	60.96	N/A	65.74	N/A	8.50	3.50	4.25	ALL LOADED	25	25
	10035388-103 10035388-103LF	69.04	66.04	60.96	N/A	65.74	N/A	8.50	3.50	4.25	AI  A25 BI  B25	25	25
	10035388-104 10035388-104LF	69.04	66.04	60.96	N/A	65.74	N/A	8.50	3.50	4.25	AI  A25 BI  B25	25	25
B	10035388-105 10035388-105LF	69.04	66.04	60.96	N/A	65.74	N/A	8.50	3.50	4.25	AI  A25 BI  B25	25	25
	10035388-106 10035388-106LF	69.04	66.04	60.96	N/A	65.74	N/A	9.287	2.713	5.037	ALL LOADED	25	25
	10035388-200 10035388-200LF	84.28	81.28	76.20	52.07	80.98	51.92	8.50	3.50	4.25	ALL LOADED	31	31
	10035388-201 10035388-201LF	84.28	81.28	76.20	52.07	80.98	51.92	8.50	3.50	4.25	AI  A31 BI  B31	31	31
	10035388-202 10035388-202LF	84.28	81.28	76.20	N/A	80.98	N/A	8.50	3.50	4.25	ALL LOADED	31	31
C	10035388-203 10035388-203LF	84.28	81.28	76.20	N/A	80.98	N/A	8.50	3.50	4.25	AI  A31 BI  B31	31	31
	10035388-205 10035388-205LF	94.44	91.44	86.36	N/A	91.14	N/A	8.50	3.50	4.25	AI  A35 BI  B35	35	35
	10035388-300 10035388-300LF	86.82	83.82	78.74	54.61	83.52	54.46	8.50	3.50	4.25	ALL LOADED	32	32
	10035388-301 10035388-301LF	86.82	83.82	78.74	54.61	83.52	54.46	8.50	3.50	4.25	AI  A32 BI  B32	32	32

spec ref *			dr <b>De-Ming Lu</b> 2014/08/06			projection		size A4		scale 1:1		
tolerance std			eng <b>Leborn Luo</b> 2018/02/05			MM		ecn no <b>ELX-DG-29258-1</b>				
ISO 406 ISO 1101			chr <b>Feng Zheng</b> 2018/02/06					rel level <b>Released</b>				
surface  linear			appr <b>Pei-Ming Zheng</b> 2018/02/06			product family -		dwg no		rev		
			0.X ±0.5 0.XX ±0.25 0.XXX ±0.10			<b>Amphenol FCI</b>		POWER EDGE CARD CONNECTOR		10035388		<b>AN</b>
ISO 1302  angular			0° ±2°			cat. no. -		Product - Customer Draw			sheet 4 of 6	

A

B

C

D

PRAT NO.	DIM"A"	DIM"B"	DIM"C"	DIM"D"	DIM"E"	DIM"F"	H1	H2	H3	PIN CONFIGURATION	M	N																																						
10035388-400 10035388-400LF	61.42	58.42	53.34	29.21	58.12	29.06	8.50	3.50	4.25	ALL LOADED	22	22																																						
10035388-500 10035388-500LF	76.66	73.66	68.58	N/A	73.36	N/A	8.50	3.50	4.25	ALL LOADED	28	28																																						
10035388-600 10035388-600LF	69.04	66.04	40.64	36.83	65.74	36.68	8.50	3.50	4.25	AI <table border="1" style="font-size: small;"> <tr><td>P</td><td>P</td><td>P</td><td>P</td><td>P</td><td>P</td><td>P</td><td>P</td><td>P</td><td>P</td><td>P</td><td>P</td><td>P</td><td>P</td><td>P</td><td>P</td><td>P</td><td>P</td><td>P</td></tr> </table> A25 BI <table border="1" style="font-size: small;"> <tr><td>P</td><td>P</td><td>P</td><td>P</td><td>P</td><td>P</td><td>P</td><td>P</td><td>P</td><td>P</td><td>P</td><td>P</td><td>P</td><td>P</td><td>P</td><td>P</td><td>P</td><td>P</td><td>P</td></tr> </table> B25	P	P	P	P	P	P	P	P	P	P	P	P	P	P	P	P	P	P	P	P	P	P	P	P	P	P	P	P	P	P	P	P	P	P	P	P	P	P	25	25
P	P	P	P	P	P	P	P	P	P	P	P	P	P	P	P	P	P	P																																
P	P	P	P	P	P	P	P	P	P	P	P	P	P	P	P	P	P	P																																
10035388-700 10035388-700LF	86.82	83.82	78.74	N/A	83.52	N/A	8.50	3.50	4.25	ALL LOADED	32	32																																						
10035388-800 10035388-800LF	48.72	45.72	40.64	N/A	45.42	N/A	8.50	3.50	4.25	ALL LOADED	17	17																																						
10035388-802 10035388-802LF	48.72	45.72	40.64	N/A	45.42	N/A	8.50	3.50	4.25	AI <table border="1" style="font-size: small;"> <tr><td>P</td><td>P</td><td>P</td><td>P</td><td>P</td><td>P</td><td>P</td><td>P</td><td>P</td><td>P</td><td>P</td><td>P</td><td>P</td><td>P</td><td>P</td><td>P</td><td>P</td><td>P</td><td>P</td></tr> </table> A17 BI <table border="1" style="font-size: small;"> <tr><td>P</td><td>P</td><td>P</td><td>P</td><td>P</td><td>P</td><td>P</td><td>P</td><td>P</td><td>P</td><td>P</td><td>P</td><td>P</td><td>P</td><td>P</td><td>P</td><td>P</td><td>P</td><td>P</td></tr> </table> B17	P	P	P	P	P	P	P	P	P	P	P	P	P	P	P	P	P	P	P	P	P	P	P	P	P	P	P	P	P	P	P	P	P	P	P	P	P	P	17	17
P	P	P	P	P	P	P	P	P	P	P	P	P	P	P	P	P	P	P																																
P	P	P	P	P	P	P	P	P	P	P	P	P	P	P	P	P	P	P																																
10035388-900 10035388-900LF	41.10	38.10	33.02	26.67	37.80	26.52	8.50	3.50	4.25	ALL LOADED	14	14																																						
10035388-903 10035388-903LF	94.44	91.44	86.36	N/A	91.14	N/A	8.50	3.50	4.25	AI <table border="1" style="font-size: small;"> <tr><td>P</td><td>P</td><td>P</td><td>P</td><td>P</td><td>P</td><td>P</td><td>P</td><td>P</td><td>P</td><td>P</td><td>P</td><td>P</td><td>P</td><td>P</td><td>P</td><td>P</td><td>P</td><td>P</td></tr> </table> A35 BI <table border="1" style="font-size: small;"> <tr><td>P</td><td>P</td><td>P</td><td>P</td><td>P</td><td>P</td><td>P</td><td>P</td><td>P</td><td>P</td><td>P</td><td>P</td><td>P</td><td>P</td><td>P</td><td>P</td><td>P</td><td>P</td><td>P</td></tr> </table> B35	P	P	P	P	P	P	P	P	P	P	P	P	P	P	P	P	P	P	P	P	P	P	P	P	P	P	P	P	P	P	P	P	P	P	P	P	P	P	35	35
P	P	P	P	P	P	P	P	P	P	P	P	P	P	P	P	P	P	P																																
P	P	P	P	P	P	P	P	P	P	P	P	P	P	P	P	P	P	P																																
10035388-904 10035388-904LF	94.44	91.44	86.36	N/A	91.14	N/A	8.50	3.50	4.25	AI <table border="1" style="font-size: small;"> <tr><td>P</td><td>P</td><td>P</td><td>P</td><td>P</td><td>P</td><td>P</td><td>P</td><td>P</td><td>P</td><td>P</td><td>P</td><td>P</td><td>P</td><td>P</td><td>P</td><td>P</td><td>P</td><td>P</td></tr> </table> A35 BI <table border="1" style="font-size: small;"> <tr><td>P</td><td>P</td><td>P</td><td>P</td><td>P</td><td>P</td><td>P</td><td>P</td><td>P</td><td>P</td><td>P</td><td>P</td><td>P</td><td>P</td><td>P</td><td>P</td><td>P</td><td>P</td><td>P</td></tr> </table> B35	P	P	P	P	P	P	P	P	P	P	P	P	P	P	P	P	P	P	P	P	P	P	P	P	P	P	P	P	P	P	P	P	P	P	P	P	P	P	35	35
P	P	P	P	P	P	P	P	P	P	P	P	P	P	P	P	P	P	P																																
P	P	P	P	P	P	P	P	P	P	P	P	P	P	P	P	P	P	P																																
10035388-905 10035388-905LF	94.44	91.44	86.36	N/A	91.14	N/A	8.50	3.50	4.25	ALL LOADED	35	35																																						
10035388-907 10035388-907LF	53.80	50.80	45.72	26.27	50.50	26.52	8.50	3.50	4.25	ALL LOADED	19	19																																						
10035388-908 10035388-908LF	61.42	58.42	53.34	29.21	58.12	29.36	8.50	3.50	4.25	AI <table border="1" style="font-size: small;"> <tr><td>P</td><td>P</td><td>P</td><td>P</td><td>P</td><td>P</td><td>P</td><td>P</td><td>P</td><td>P</td><td>P</td><td>P</td><td>P</td><td>P</td><td>P</td><td>P</td><td>P</td><td>P</td><td>P</td></tr> </table> A22 BI <table border="1" style="font-size: small;"> <tr><td>P</td><td>P</td><td>P</td><td>P</td><td>P</td><td>P</td><td>P</td><td>P</td><td>P</td><td>P</td><td>P</td><td>P</td><td>P</td><td>P</td><td>P</td><td>P</td><td>P</td><td>P</td><td>P</td></tr> </table> B22	P	P	P	P	P	P	P	P	P	P	P	P	P	P	P	P	P	P	P	P	P	P	P	P	P	P	P	P	P	P	P	P	P	P	P	P	P	P	22	22
P	P	P	P	P	P	P	P	P	P	P	P	P	P	P	P	P	P	P																																
P	P	P	P	P	P	P	P	P	P	P	P	P	P	P	P	P	P	P																																
10035388-909 10035388-909LF	48.72	45.72	40.64	N/A	45.42	N/A	8.50	3.50	4.25	AI <table border="1" style="font-size: small;"> <tr><td>P</td><td>P</td><td>P</td><td>P</td><td>P</td><td>P</td><td>P</td><td>P</td><td>P</td><td>P</td><td>P</td><td>P</td><td>P</td><td>P</td><td>P</td><td>P</td><td>P</td><td>P</td><td>P</td></tr> </table> A17 BI <table border="1" style="font-size: small;"> <tr><td>P</td><td>P</td><td>P</td><td>P</td><td>P</td><td>P</td><td>P</td><td>P</td><td>P</td><td>P</td><td>P</td><td>P</td><td>P</td><td>P</td><td>P</td><td>P</td><td>P</td><td>P</td><td>P</td></tr> </table> B17	P	P	P	P	P	P	P	P	P	P	P	P	P	P	P	P	P	P	P	P	P	P	P	P	P	P	P	P	P	P	P	P	P	P	P	P	P	P	17	17
P	P	P	P	P	P	P	P	P	P	P	P	P	P	P	P	P	P	P																																
P	P	P	P	P	P	P	P	P	P	P	P	P	P	P	P	P	P	P																																
10035388-910 10035388-910LF	94.44	91.44	86.36	N/A	91.14	N/A	8.50	3.50	4.25	AI <table border="1" style="font-size: small;"> <tr><td>P</td><td>P</td><td>P</td><td>P</td><td>P</td><td>P</td><td>P</td><td>P</td><td>P</td><td>P</td><td>P</td><td>P</td><td>P</td><td>P</td><td>P</td><td>P</td><td>P</td><td>P</td><td>P</td></tr> </table> A35 BI <table border="1" style="font-size: small;"> <tr><td>P</td><td>P</td><td>P</td><td>P</td><td>P</td><td>P</td><td>P</td><td>P</td><td>P</td><td>P</td><td>P</td><td>P</td><td>P</td><td>P</td><td>P</td><td>P</td><td>P</td><td>P</td><td>P</td></tr> </table> B35	P	P	P	P	P	P	P	P	P	P	P	P	P	P	P	P	P	P	P	P	P	P	P	P	P	P	P	P	P	P	P	P	P	P	P	P	P	P	35	35
P	P	P	P	P	P	P	P	P	P	P	P	P	P	P	P	P	P	P																																
P	P	P	P	P	P	P	P	P	P	P	P	P	P	P	P	P	P	P																																
10035388-911 10035388-911LF	53.80	50.80	45.72	N/A	50.50	N/A	8.50	3.50	4.25	ALL LOADED	19	19																																						
10035388-912 10035388-912LF	41.10	38.10	33.02	N/A	37.80	N/A	8.50	3.50	4.25	AI <table border="1" style="font-size: small;"> <tr><td>P</td><td>P</td><td>P</td><td>P</td><td>P</td><td>P</td><td>P</td><td>P</td><td>P</td><td>P</td><td>P</td><td>P</td><td>P</td><td>P</td><td>P</td><td>P</td><td>P</td><td>P</td><td>P</td></tr> </table> A14 BI <table border="1" style="font-size: small;"> <tr><td>P</td><td>P</td><td>P</td><td>P</td><td>P</td><td>P</td><td>P</td><td>P</td><td>P</td><td>P</td><td>P</td><td>P</td><td>P</td><td>P</td><td>P</td><td>P</td><td>P</td><td>P</td><td>P</td></tr> </table> B14	P	P	P	P	P	P	P	P	P	P	P	P	P	P	P	P	P	P	P	P	P	P	P	P	P	P	P	P	P	P	P	P	P	P	P	P	P	P	14	14
P	P	P	P	P	P	P	P	P	P	P	P	P	P	P	P	P	P	P																																
P	P	P	P	P	P	P	P	P	P	P	P	P	P	P	P	P	P	P																																

spec ref	*	dr	De-Ming Lu	2014/08/06	projection	MM	size	A4	scale	1:1	
tolerance std	TOLERANCES UNLESS OTHERWISE SPECIFIED	eng	Leborn Luo	2018/02/05			ecn no	ELX-DG-29258-1			
ISO 406 ISO 1101		chr	Feng Zheng	2018/02/06				rel level	Released		
surface	linear	appr	Pei-Ming Zheng	2018/02/06	product family	-	rev				
		0.X	±0.5	<b>Amphenol FCI</b>	POWER EDGE CARD CONNECTOR			dwg no	10035388		AN
		0.XX	±0.25		WITHOUT SIGNAL ASSY						
ISO 1302	angular	0°	±2°	cat. no.	-	Product - Customer Drw			sheet 5 of 6		

Amphenol  
FCi

© 2016 AFCI

A

B

C

D

PRAT NO.	DIM"A"	DIM"B"	DIM"C"	DIM"D"	DIM"E"	DIM"F"	H1	H2	H3	PIN CONFIGURATION	M	N
10035388-107 10035388-107LF	69.04	66.04	60.96	N/A	65.74	N/A	8.50	3.50	4.25	A1  A25 B1  B25	25	25
10035388-913 10035388-913LF	25.86	22.86	17.78	N/A	22.56	N/A	8.50	3.50	4.25	ALL LOADED	8	8
10035388-902 10035388-902LF	94.44	91.44	86.36	N/A	91.14	N/A	8.50	3.50	4.25	A1  A35 B1  B35	35	35
10035388-108 10035388-108LF	69.04	66.04	60.96	N/A	65.74	N/A	8.50	3.50	4.25	A1  A25 B1  B25	25	25
10035388-206 10035388-206LF	84.28	81.28	76.20	N/A	80.98	N/A	8.50	3.50	4.25	A1  A31 B1  B31	31	31
10035388-110 10035388-110LF	69.04	66.04	60.96	N/A	65.74	N/A	8.50	3.50	4.25	A1  A25 B1  B25	25	25
10035388-204 10035388-204LF	81.74	78.74	73.66	N/A	78.44	N/A	8.50	3.50	4.25	ALL LOADED	30	30
10035388-114 10035388-114LF	41.10	38.10	33.02	N/A	37.80	N/A	8.50	3.50	4.25	ALL LOADED	14	14
10035388-119 10035388-119LF	94.44	91.44	86.36	N/A	91.14	N/A	8.50	3.50	4.25	A1  A35 B1  B35	35	35
10035388-120 10035388-120LF	69.04	66.04	60.96	N/A	65.74	N/A	8.50	3.50	4.25	A1  A25 B1  B25	25	25
10035388-121 10035388-121LF	48.72	45.72	40.64	N/A	45.42	N/A	8.50	3.50	4.25	A1  A17 B1  B17	17	17
10035388-122 10035388-122LF	76.66	73.66	68.58	N/A	73.36	N/A	8.50	3.50	4.25	A1  A28 B1  B28	28	28
10035388-123 10035388-123LF	69.04	66.04	60.69	N/A	65.74	N/A	8.50	3.50	4.25	A1  A25 B1  B25	25	25

spec ref	*	dr	De-Ming Lu	2014/08/06	projection			size	A4	scale	1:1	
tolerance std	TOLERANCES UNLESS OTHERWISE SPECIFIED	eng	Leborn Luo	2018/02/05	product family			-	ecn no	ELX-DG-29258-1	rel level	Released
ISO 406 ISO 1101		chr	Feng Zheng	2018/02/06								
surface		appr	Pei-Ming Zheng	2018/02/06	<b>Amphenol FCI</b>		POWER EDGE CARD CONNECTOR WITHOUT SIGNAL ASSY		dwg no 10035388	rev AN		
ISO 1302		linear	0.X	±0.5	cat. no.	-	Product - Customer Drw	sheet 6 of 6				
	angular	0°	±2°									