



Chipsmall Limited consists of a professional team with an average of over 10 year of expertise in the distribution of electronic components. Based in Hongkong, we have already established firm and mutual-benefit business relationships with customers from,Europe,America and south Asia,supplying obsolete and hard-to-find components to meet their specific needs.

With the principle of "Quality Parts,Customers Priority,Honest Operation,and Considerate Service",our business mainly focus on the distribution of electronic components. Line cards we deal with include Microchip,ALPS,ROHM,Xilinx,Pulse,ON,Everlight and Freescale. Main products comprise IC,Modules,Potentiometer,IC Socket,Relay,Connector.Our parts cover such applications as commercial,industrial, and automotives areas.

We are looking forward to setting up business relationship with you and hope to provide you with the best service and solution. Let us make a better world for our industry!



Contact us

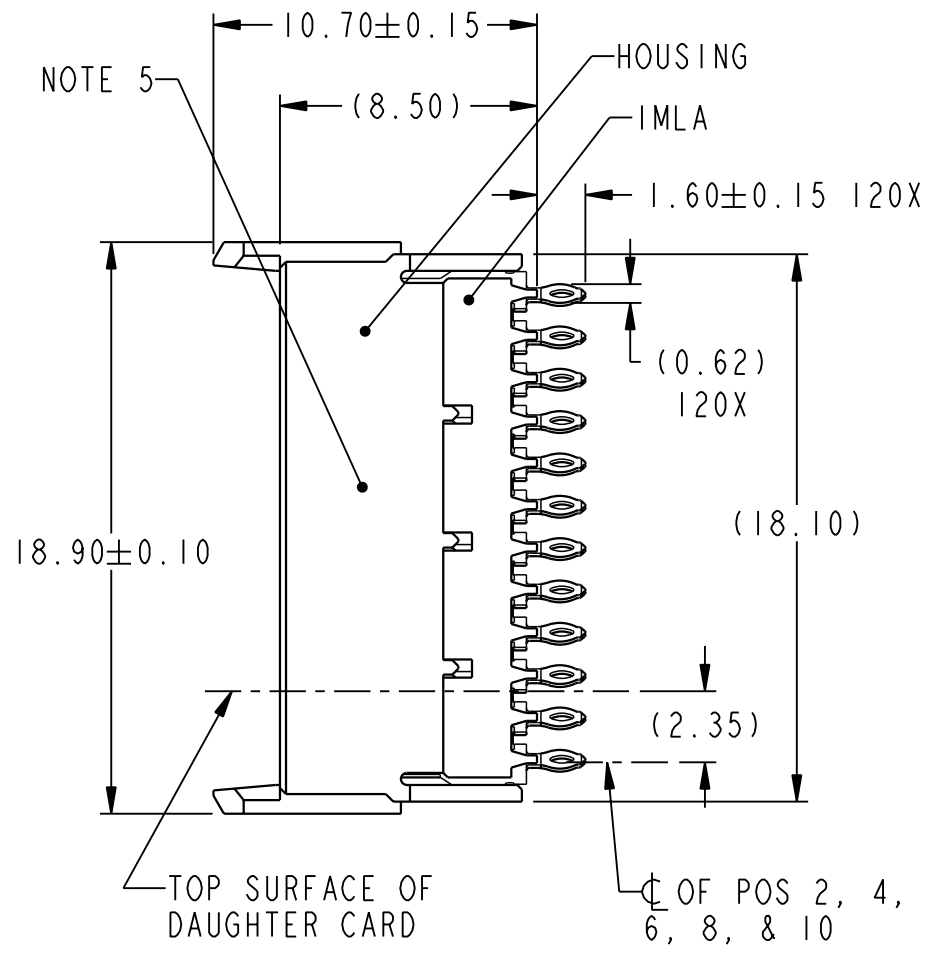
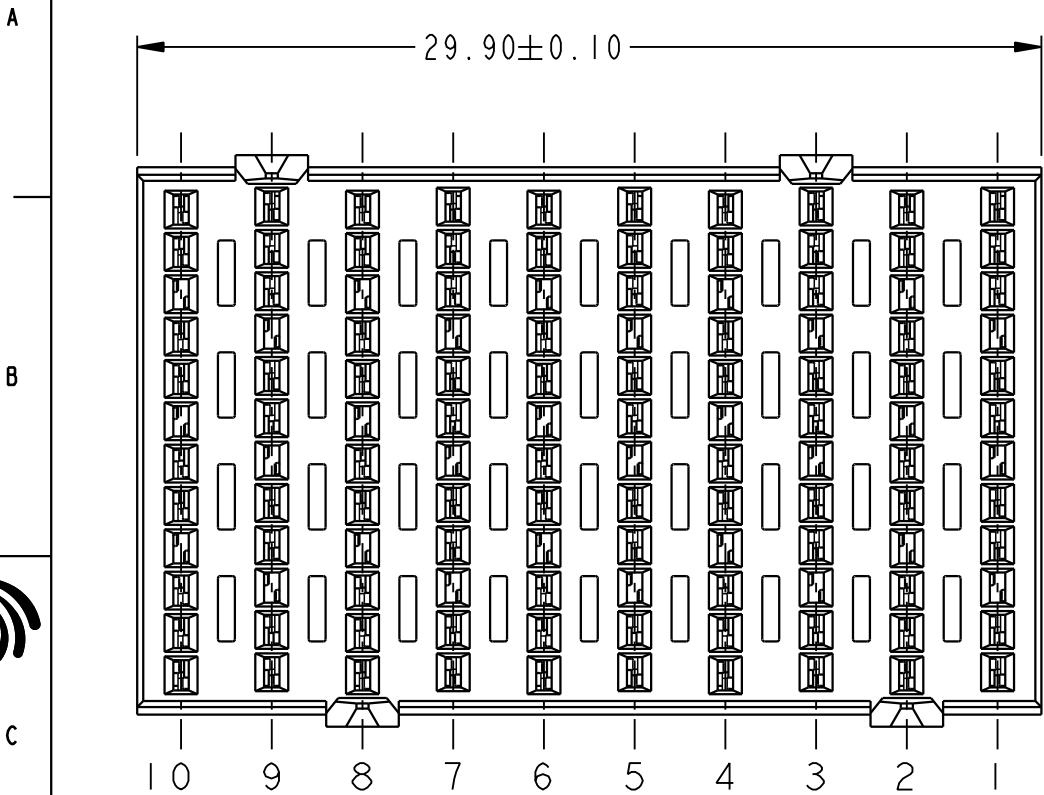
Tel: +86-755-8981 8866 Fax: +86-755-8427 6832

Email & Skype: info@chipsmall.com Web: www.chipsmall.com

Address: A1208, Overseas Decoration Building, #122 Zhenhua RD., Futian, Shenzhen, China



PRODUCT NUMBER
SEE TABLE, SHEET 4



Copyright FCI.

rev	ecn no	dr	date
H	V06-0956	WJS	2006-09-13
-	--	-	--
C	V04-1194	DAB	2004-12-27
D	V05-0175	TH	2005-03-04
E	V05-0226	MRS	2005-03-23
F	V05-0792	SAW	2005-08-18
G	V06-0750	WJS	2006-08-02

www.fciconnect.com		surface - ASME Y14.5	tolerance std <input checked="" type="checkbox"/> ASME Y14.5	projection	MM
		TOLERANCES UNLESS OTHERWISE SPECIFIED			
Dr	D. BUSH	2004-10-13	ANGULAR	0.X	±--
Eng	B. MARSHALL	2004-10-13	LINEAR	0.XX	±--
Chr	B. MARSHALL	2004-10-13	0°	0.XXX	±--
Appr	B. MARSHALL	2004-10-13	Product family AirMax VS		Spec ref
		AirMax VS VERT RECPT ASSY		dwg no 10035465	
		PRESS-FIT, 120 POSITION, 30mm		Rev. H	
		catalog no -		CUSTOMER sheet 1 of 4	

REV F - 2006-04-17

1

2

3

4

A

B

C

D

A

B

C

D

3.00 TYP

ANTIPAD WIDTH=
3.0-(4 TRACES + 3 SPACES)
TYP

3.200
TYP

1.40 TYP

0.10 TYP

SEE NOTE 9
⊕ 0.10
ALL HOLES

DETAIL A
SCALE 4:1

DIM B

DIM A

(29.90)

NOMINAL OUTLINE
OF CONNECTOR

(1.80)

TOP SURFACE OF
DAUGHTER CARD

(18.90)

(2.25)
⊕ OF POS
1, 3, 5, 7, & 9

(2.35)

⊕ OF POS
2, 4, 6, 8, & 10

DETAIL A

RECOMMENDED PCB LAYOUT
FOR DIFFERENTIAL APPLICATIONS,
COMPONENT SIDE
(TWO ADJACENT FOOTPRINTS SHOWN)
NOTES 6 & 7

ADJACENT HEADER WIDTHS	DIM A	DIM B
30MM/30MM	3.00	30.00
32MM/32MM	5.00	32.00
30MM/32MM	4.00	31.00

FCI	TITLE	AirMax VS VERT RECPT ASSY	dwg no	10035465	Rev.	H
		PRESS-FIT, 120 POSITION, 30mm				
	CATALOG no	-		CUSTOMER		sheet 2 of 4

REV 7 - 2006-04-17

PDM: Rev:H

STATUS: Released

4 Printed: Dec 01, 2010

1

2

3

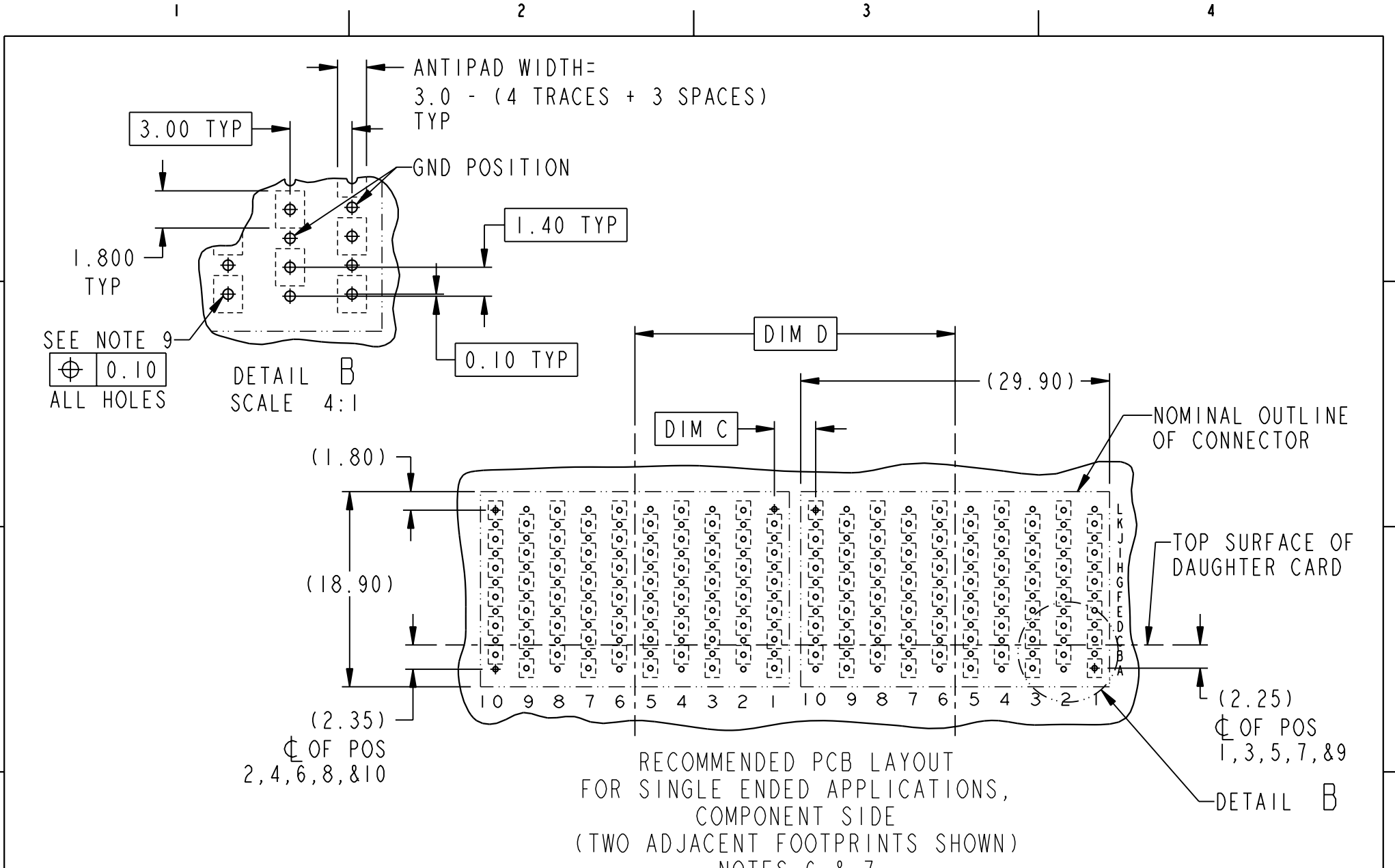
4



Copyright FCI.



Copyright FCI.



RECOMMENDED PCB LAYOUT
FOR SINGLE ENDED APPLICATIONS,
COMPONENT SIDE
(TWO ADJACENT FOOTPRINTS SHOWN)
NOTES 6 & 7

ADJACENT HEADER WIDTHS	DIM C	DIM D
30MM/30MM	3.00	30.00
32MM/32MM	5.00	32.00
30MM/32MM	4.00	31.00

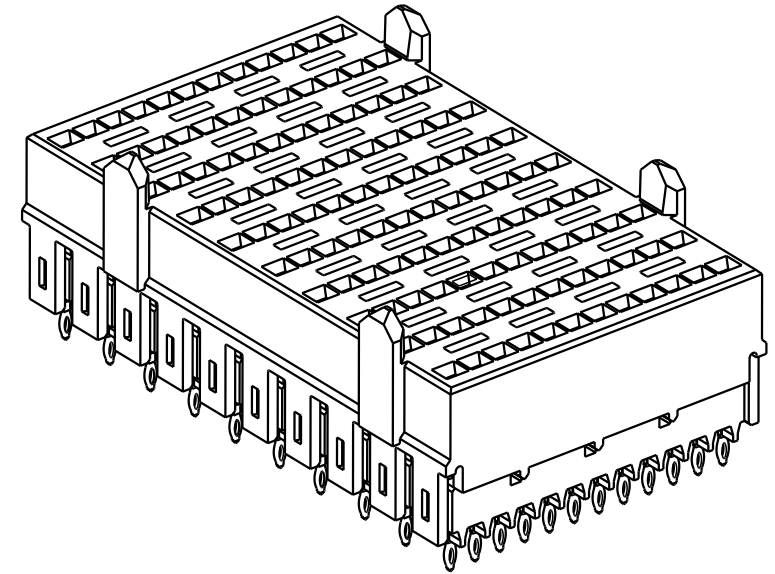
	TITLE AirMax VS VERT RECPT ASSY PRESS-FIT, 120 POSITION, 30mm	DWG no 10035465	Rev. H
	catalog no -	CUSTOMER	sheet 3 of 4

REV 7 - 2000-04-17

PART NUMBER	PRESS-FIT TAIL PLATING TYPE
10035465-101	TIN/LEAD ALLOY OVER NICKEL
10035465-101LF	TIN OVER NICKEL (LEAD FREE)

NOTES:

1. CONNECTOR MATERIALS:
HOUSING & RETAINER: HIGH TEMP THERMOPLASTIC, NATURAL, UL94V-0
IMLA PLASTIC: HIGH TEMP THERMOPLASTIC, BLACK, UL94V-0
CONTACT: COPPER ALLOY
2. CONTACT PLATING:
SEPARABLE INTERFACE:
PERFORMANCE-BASED PLATING, QUALIFIED TO MEET THE
REQUIREMENTS OF FCI PRODUCT SPECIFICATION GS-12-239,
INCLUDING TELCORDIA GR-1217-CORE (NOVEMBER 1995)
CENTRAL OFFICE
PRESS-FIT TAILS: SEE TABLE
3. PRODUCT SPECIFICATION: GS-12-239
4. APPLICATION SPECIFICATION: GS-20-035
5. PRODUCT MARKING, (PART NUMBER & LOT CODE), ON THIS SURFACE
6. REFER TO CUSTOMER DRAWING 10035911 FOR INFORMATION REGARDING
PCB LAYOUT OF POWER AND GUIDE MODULES RELATIVE TO SIGNAL MODULES
7. POSITIONS F OF ODD NUMBERED COLUMNS AND POSITIONS G OF EVEN NUMBERED
COLUMNS CORRESPOND TO EARLY MATE HEADER PINS
8. THERE IS NO GROUND BUSSING WITHIN THE CONNECTOR SYSTEM
9. REFER TO CUSTOMER DRAWING 10045979 FOR INFORMATION ON PCB HOLE
DIAMETERS AND PLATING OPTIONS.
10. THIS PRODUCT MEETS EUROPEAN UNION DIRECTIVES AND OTHER
COUNTRY REGULATIONS AS DESCRIBED IN GS-22-008.
11. THE HOUSING WILL WITHSTAND EXPOSURE TO 260°C
PEAK TEMPERATURE FOR 40 SECONDS IN A CONVECTION,
INFRA-RED OR VAPOR PHASE REFLOW OVEN.
12. PACKAGING MEETS GS-14-920 LEAD FREE LABELING
SPECIFICATION.



FCI	title	AirMax VS VERT RECPT ASSY	dwg no	10035465	Rev.	H
	catalog no	-		CUSTOMER		sheet 4 of 4