



Chipsmall Limited consists of a professional team with an average of over 10 year of expertise in the distribution of electronic components. Based in Hongkong, we have already established firm and mutual-benefit business relationships with customers from,Europe,America and south Asia,supplying obsolete and hard-to-find components to meet their specific needs.

With the principle of “Quality Parts,Customers Priority,Honest Operation,and Considerate Service”,our business mainly focus on the distribution of electronic components. Line cards we deal with include Microchip,ALPS,ROHM,Xilinx,Pulse,ON,Everlight and Freescale. Main products comprise IC,Modules,Potentiometer,IC Socket,Relay,Connector.Our parts cover such applications as commercial,industrial, and automotives areas.

We are looking forward to setting up business relationship with you and hope to provide you with the best service and solution. Let us make a better world for our industry!



Contact us

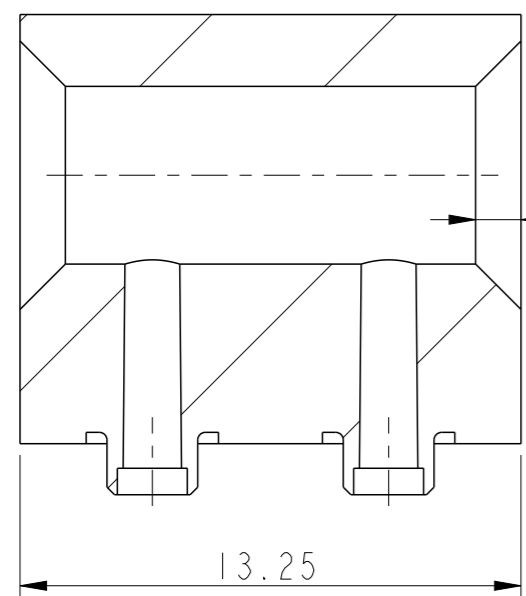
Tel: +86-755-8981 8866 Fax: +86-755-8427 6832

Email & Skype: info@chipsmall.com Web: www.chipsmall.com

Address: A1208, Overseas Decoration Building, #122 Zhenhua RD., Futian, Shenzhen, China

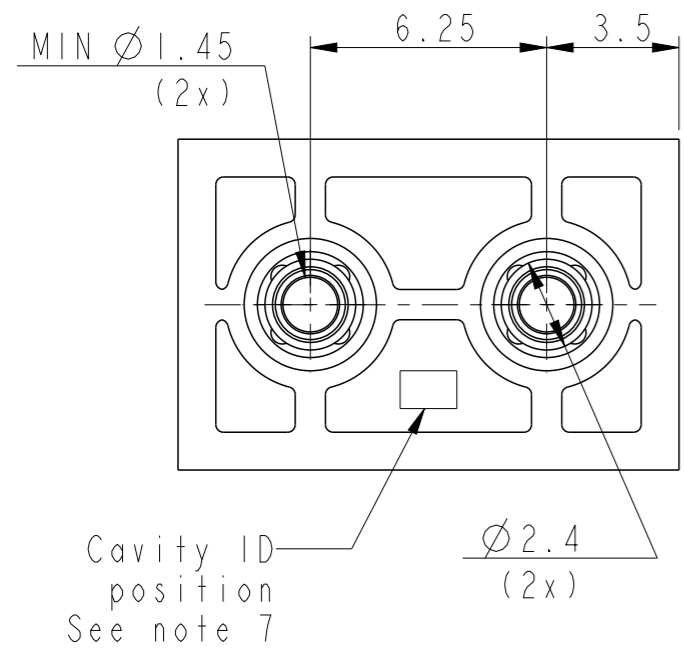
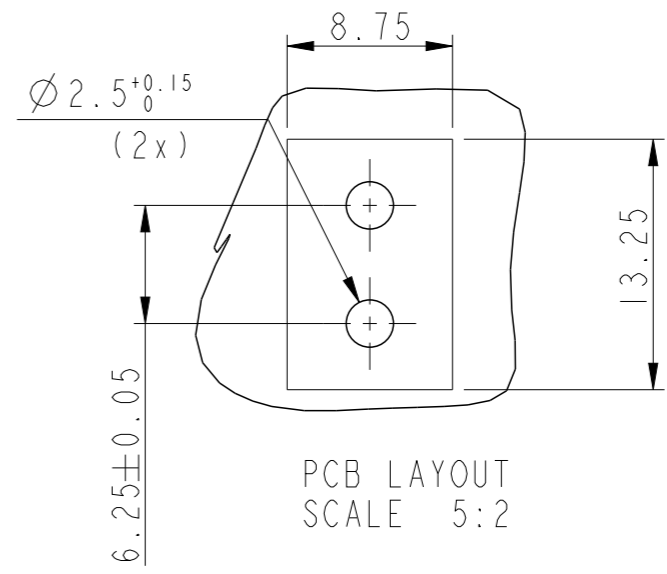
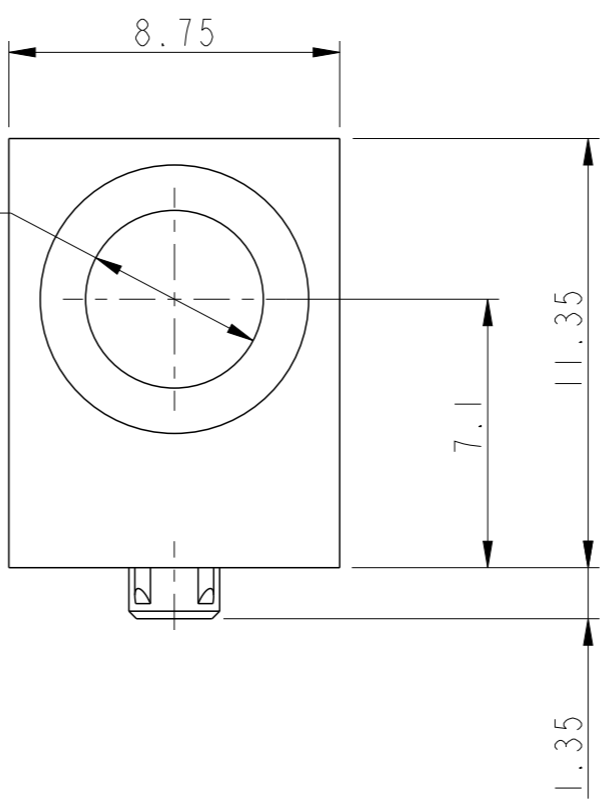


PART NUMBER
10035667-002LF



$\phi 4.7 \pm 0.05$

1.2x45°



1. PREMOUNT



2. MOUNT TO END POSITION

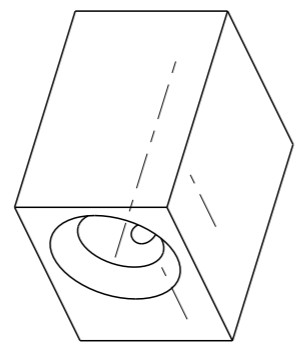
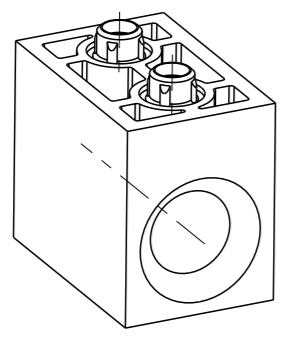


3. SCREW



NOTES :

- Material PBT 30% GF; UL94 V0; Black
- Screw to use :
board thickness 1.6-2.4 mm : EJOT K18WN1452 (torx)
other board thickness : choose right length (rivet)
- Application :
1 - premount guide block on pcb holes
2 - push block in end position manually or with standard Metral flat rock tooling (not B-version)
3 - screw in the 2 screws with max torque 0.2 Nm
- Product requirements :
- 160 N perpendicular to board (see A)
- 160 N parallel to board (see B)
- Vibration, Shock, Rapid Change of Temperature, Climatic sequence acc. to IEC 61076-104 pl 1
- Minimum Order Quantity : 50 000 pcs
- Packaging : Bulk 500 pcs in plastic bag in box
- Marking : cavity no. only



spec ref	*	dr	Louis Ng	2010/10/28	projection	mm	size	A3	scale	1:1
tolerance std	ISO 406 ISO 1101	eng	De-Feng, Qin	2011/11/09			ecn no	ELX-DG-007848-1	rel level	Released
TOLERANCES UNLESS OTHERWISE SPECIFIED		chr	Charlie Liu	2011/11/10						
surface	ISO 1302	appr	Pei-Ming Zheng	2011/11/10			dwg no	10035667-002	rev	E
	linear			www.fci.com	BOARD GUIDING METRAL		Product - Customer Drw		sheet 1 of 1	
	angular	0°	± 2°			cat. no.	10035667-002LF	STATUS:Released		Printed: Nov 15, 2011

Copyright FCI.