



Chipsmall Limited consists of a professional team with an average of over 10 year of expertise in the distribution of electronic components. Based in Hongkong, we have already established firm and mutual-benefit business relationships with customers from,Europe,America and south Asia,supplying obsolete and hard-to-find components to meet their specific needs.

With the principle of “Quality Parts,Customers Priority,Honest Operation,and Considerate Service”,our business mainly focus on the distribution of electronic components. Line cards we deal with include Microchip,ALPS,ROHM,Xilinx,Pulse,ON,Everlight and Freescale. Main products comprise IC,Modules,Potentiometer,IC Socket,Relay,Connector.Our parts cover such applications as commercial,industrial, and automotives areas.

We are looking forward to setting up business relationship with you and hope to provide you with the best service and solution. Let us make a better world for our industry!



## Contact us

Tel: +86-755-8981 8866 Fax: +86-755-8427 6832

Email & Skype: info@chipsmall.com Web: www.chipsmall.com

Address: A1208, Overseas Decoration Building, #122 Zhenhua RD., Futian, Shenzhen, China



1

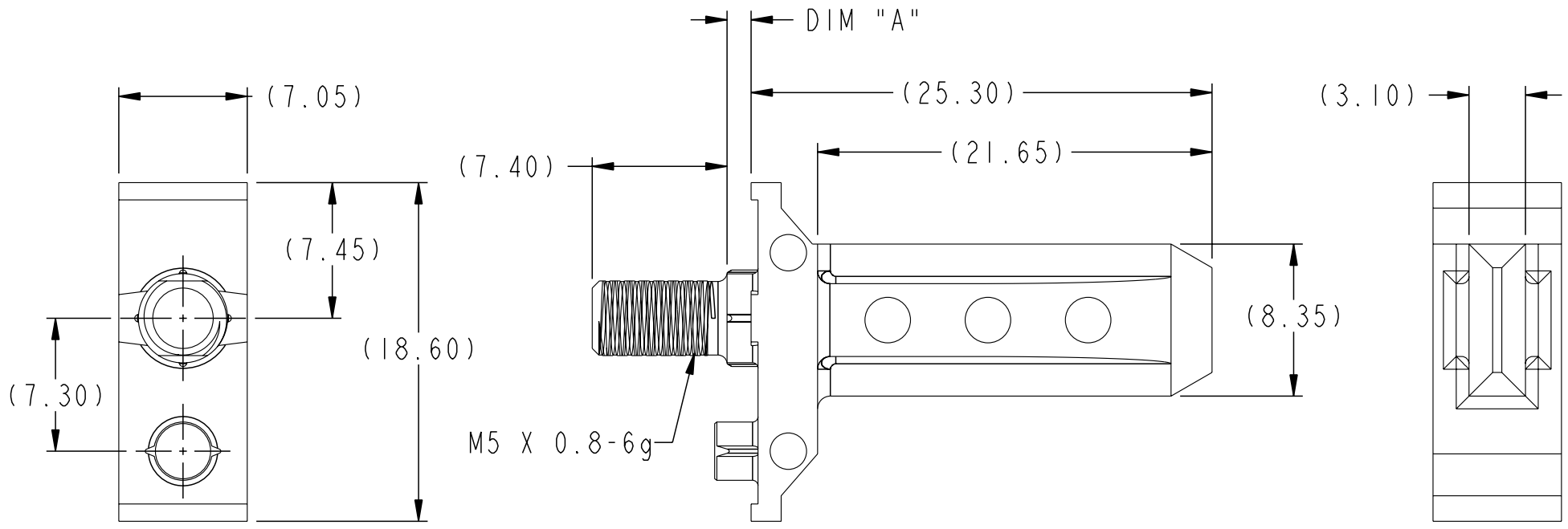
2

3

4

PRODUCT NUMBER  
SEE TABLE, SHT 2

Tous droits strictement reserves. Reproduction ou communication a des tiers interdite sous quelque forme que ce soit sans autorisation écrite du propriétaire. Propriete de c FCI. Droits de reproduction FCI.



All rights strictly reserved. Reproduction or issue to third parties in any form whatever is not permitted without written authority from the proprietor. Property of FCI. Copyright FCI.

rev	ecn no	dr	date
A	V05-0103	AR	01/27/05
B	V05-0262	AR	03/29/05
C	S05-0238	MC	08/25/05

TOLERANCES UNLESS OTHERWISE SPECIFIED			
LINEAR	0.X	±.3	-
	0.XX	±.10	-
	0.XXX	±.050	-
ANGULAR	0°	±2°	-

		www.fciconnect.com		surface 3.2 / ASME Y14.5	tolerance ASME Y14.5	projection	MM
Dr	A. RAISTRICK	08/03/04	Product family	AirMax Accessories		size	A4
Eng	B. MARSHALL	08/03/04	Spec ref			Scale	3:1
Chr	CH. TAN	08/25/05	Material	SEE NOTES		ECN	
Appr	JOEY NG	08/25/05					
title	7.2mm GUIDE PIN			10037908		Rev.	C
title	25.3mm LONG						
catalog no				CUSTOMER		sheet 1 of 2	

A  
B  
C

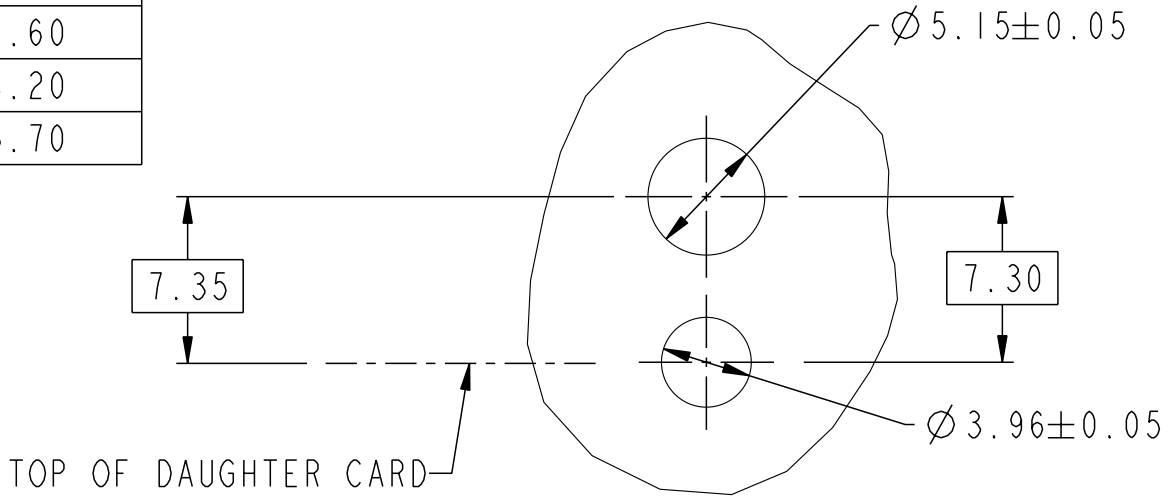
D

Tous droits strictement reserves. Reproduction ou communication a des tiers interdite sous quelque forme que ce soit sans autorisation écrite du propriétaire. Propriete de c FCI. Droits de reproduction FCI.



All rights strictly reserved. Reproduction or issue to third parties in any form whatever is not permitted without written authority from the proprietor. Property of FCI. Copyright FCI.

PART NUMBER	DIM "A"
10037908-101LF	1.32
10037908-102LF	2.60
10037908-103LF	4.20
10037908-104LF	5.70



SEE NOTE 3  
SCALE 3:1

1. MATERIAL: ZINC ALLOY.
2. FINISH: ZINC YELLOW CHROMATE.
3. APPLICATION SPECIFICATION: GS-20-045
- ④ REFER TO CUSTOMER DRAWING 10035911 FOR INFORMATION REGARDING PCB LAYOUT OF POWER AND GUIDE MODULES RELATIVE TO SIGNAL MODULES.
5. THIS PRODUCT MEETS EUROPEAN UNION DIRECTIVES AND OTHER COUNTRY REGULATIONS AS DESCRIBED IN GS-22-008
6. PACKAGING MEETS GS-14-920 LEAD FREE LABELING SPECIFICATION.

title	7.2mm GUIDE PIN	dwg no	10037908	Rev.	C
	25.3mm LONG				
catalog no	-	CUSTOMER	sheet 2 of 2		