



Chipsmall Limited consists of a professional team with an average of over 10 year of expertise in the distribution of electronic components. Based in Hongkong, we have already established firm and mutual-benefit business relationships with customers from,Europe,America and south Asia,supplying obsolete and hard-to-find components to meet their specific needs.

With the principle of “Quality Parts,Customers Priority,Honest Operation,and Considerate Service”,our business mainly focus on the distribution of electronic components. Line cards we deal with include Microchip,ALPS,ROHM,Xilinx,Pulse,ON,Everlight and Freescale. Main products comprise IC,Modules,Potentiometer,IC Socket,Relay,Connector.Our parts cover such applications as commercial,industrial, and automotives areas.

We are looking forward to setting up business relationship with you and hope to provide you with the best service and solution. Let us make a better world for our industry!



Contact us

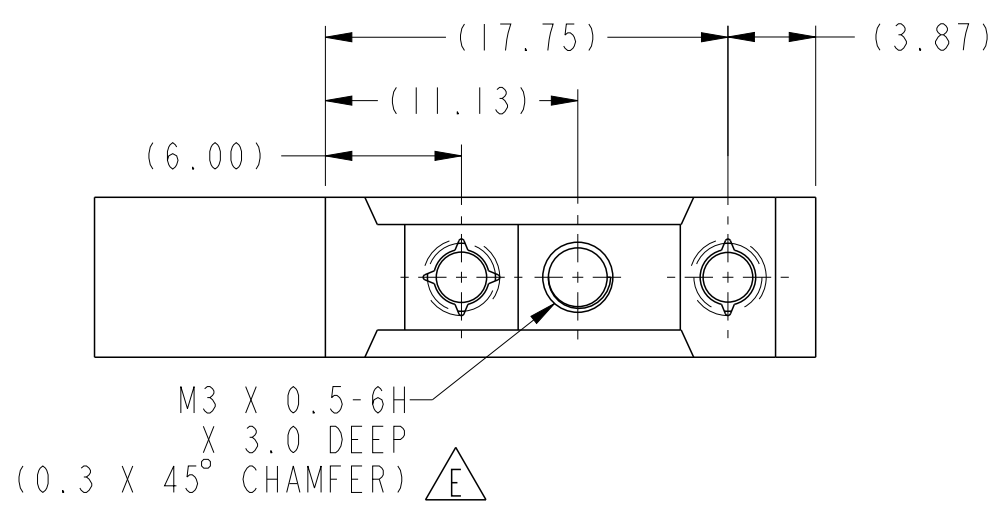
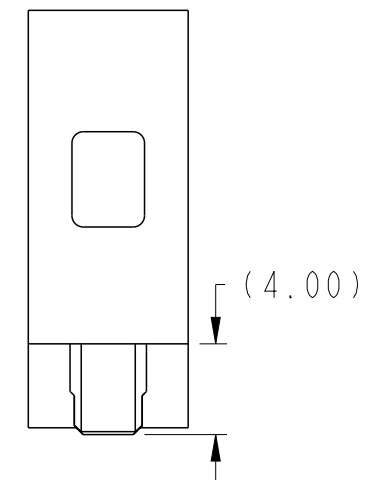
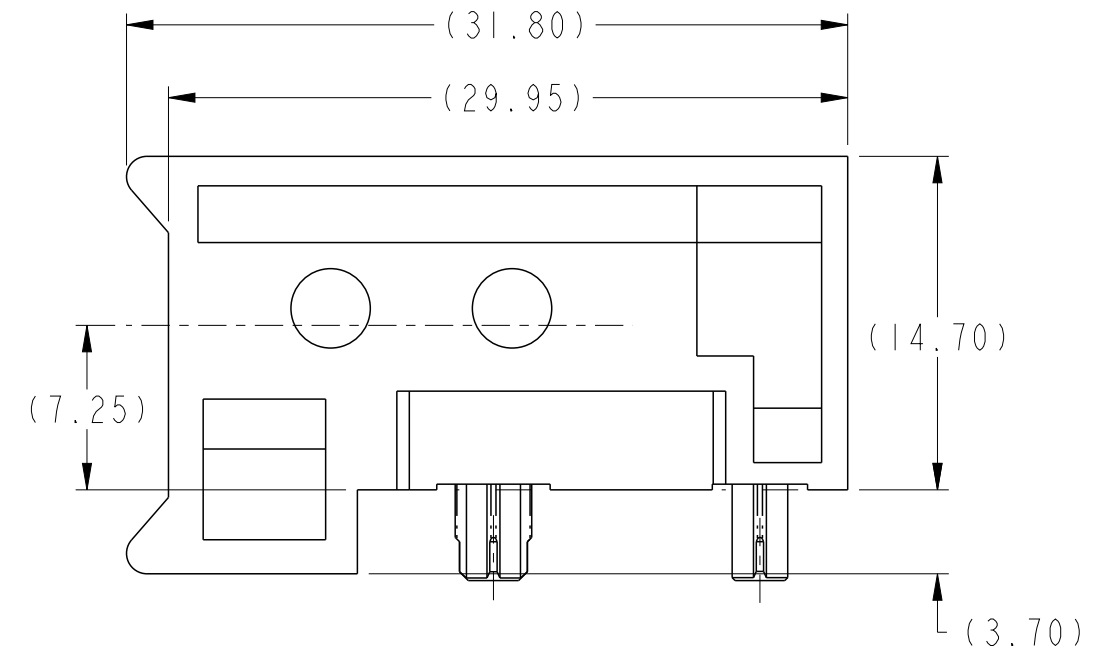
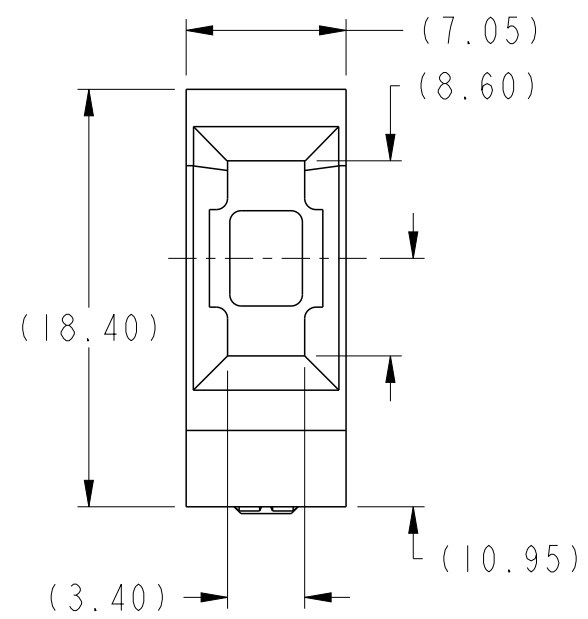
Tel: +86-755-8981 8866 Fax: +86-755-8427 6832

Email & Skype: info@chipsmall.com Web: www.chipsmall.com

Address: A1208, Overseas Decoration Building, #122 Zhenhua RD., Futian, Shenzhen, China



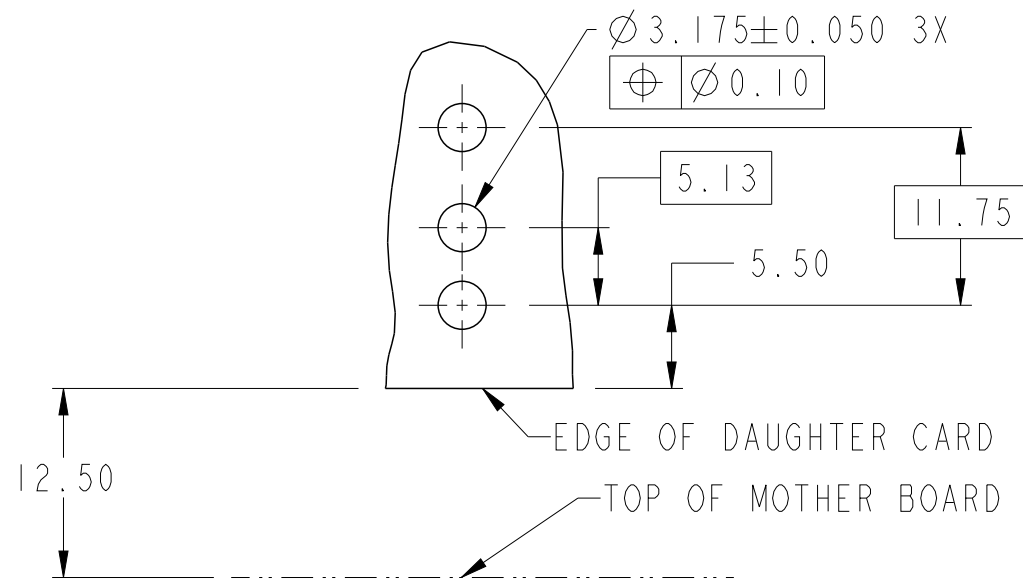
PRODUCT NUMBER
SEE TABLE, SHT 2



Copyright FCI.


spec ref		dr	Chen-Hong Tan	2005/08/17	projection	MM	size	A3	scale	3:1
tolerance std		eng	Yong-Keat Lim	2011/09/30			ecn no		ELX-S-006144-1	
ASME Y14.5		chr	-	-			rel level		Released	
TOLERANCES UNLESS OTHERWISE SPECIFIED		appr	Chen-Hong Tan	2011/10/07	product family		AirMax Accessories		rel level	
surface	3.20 linear	0.X	±.3			7.2mm GUIDE MODULE, RIGHT ANGLE		dwg no 10037909	rev	
		0.XX	±.10			E				
		0.XXX	±.050							
ASME Y14.5	angular	0°	±2°		www.fci.com	cat. no.	-	Product - Customer Drw		sheet 1 of 2

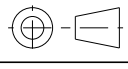
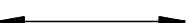

PRODUCT NUMBER
10037909-101LF



SCALE 2:1

RECOMMENDED PCB LAYOUT NOTE 4

1. MATERIAL: ZINC ALLOY
2. FINISH: ZINC YELLOW CHROMATE
3. APPLICATION SPECIFICATION: GS-20-045
- ④ REFER TO CUSTOMER DRAWING 10035911 FOR INFORMATION REGARDING PBC LAYOUT OF POWER AND GUIDE MODULES RELATIVE TO SIGNAL MODULES
5. THIS PRODUCT MEETS EUROPEAN UNION DIRECTIVES AND OTHER COUNTRY REGULATIONS AS DESCRIBED IN GS-22-008.
6. PACKAGING MEETS GS-14-920 LEAD FREE LABELING SPECIFICATION.
7. A  SYMBOL WILL BE NEXT TO ANY DIMENSION, VIEW OR NOTE WHICH HAS BEEN MODIFIED WITH THE CURRENT DRAWING REVISION.

spec ref		dr	Chen-Hong Tan	2005/08/17	projection	MM	size	A3	scale	2:1	
tolerance std		eng	Yong-Keat Lim	2011/09/30			ecn no	ELX-S-006144-1			
ASME Y14.5		chr	-	-				product family	AirMax Accessories	rel level	Released
TOLERANCES UNLESS OTHERWISE SPECIFIED		appr	Chen-Hong Tan	2011/10/07	7.2mm GUIDE MODULE, RIGHT ANGLE		dwg no	10037909		rev	E
surface	3.20 linear	0.X	±.3		www.fci.com	cat. no.	-	Product - Customer Drw	sheet 2 of 2		
		0.XX	±.10								
		0.XXX	±.050								
ASME Y14.5	angular	0°	±2°								



Copyright FCI.