



Chipsmall Limited consists of a professional team with an average of over 10 year of expertise in the distribution of electronic components. Based in Hongkong, we have already established firm and mutual-benefit business relationships with customers from,Europe,America and south Asia,supplying obsolete and hard-to-find components to meet their specific needs.

With the principle of "Quality Parts,Customers Priority,Honest Operation,and Considerate Service",our business mainly focus on the distribution of electronic components. Line cards we deal with include Microchip,ALPS,ROHM,Xilinx,Pulse,ON,Everlight and Freescale. Main products comprise IC,Modules,Potentiometer,IC Socket,Relay,Connector.Our parts cover such applications as commercial,industrial, and automotives areas.

We are looking forward to setting up business relationship with you and hope to provide you with the best service and solution. Let us make a better world for our industry!



Contact us

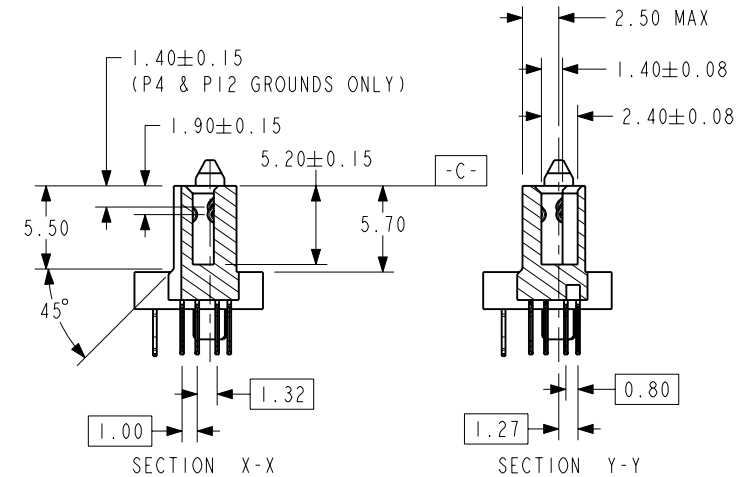
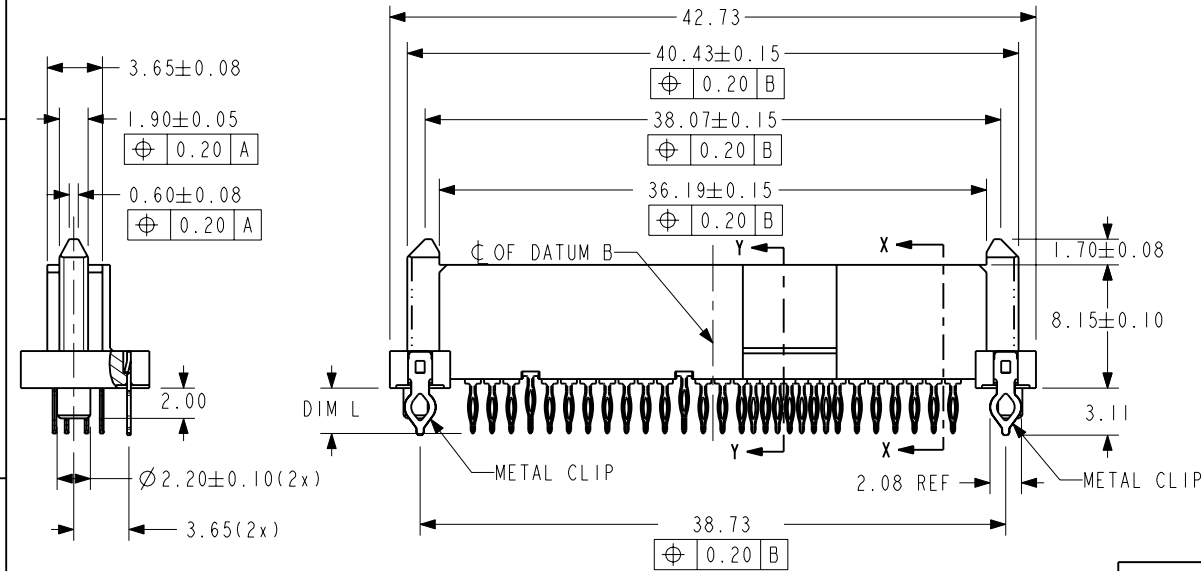
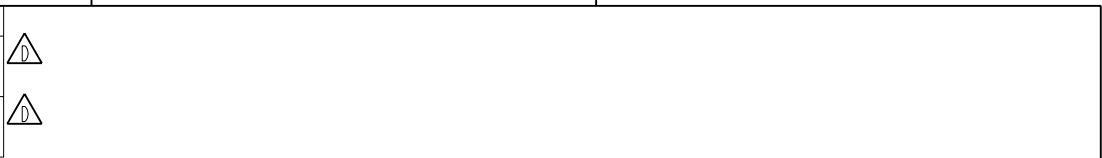
Tel: +86-755-8981 8866 Fax: +86-755-8427 6832

Email & Skype: info@chipsmall.com Web: www.chipsmall.com

Address: A1208, Overseas Decoration Building, #122 Zhenhua RD., Futian, Shenzhen, China



PRODUCT NO	DIM L	RECOMMENDED P.C. BOARD THICKNESS	METAL CLIP
10038064-001LF	2.70	1.40mm (0.055")/2.36mm (0.093")	YES
10038064-002LF	3.60	2.36mm (0.093")	
10038064-003LF	2.70	1.40mm (0.055")/2.36mm (0.093")	NO
10038064-004LF	3.60	2.36mm (0.093")	



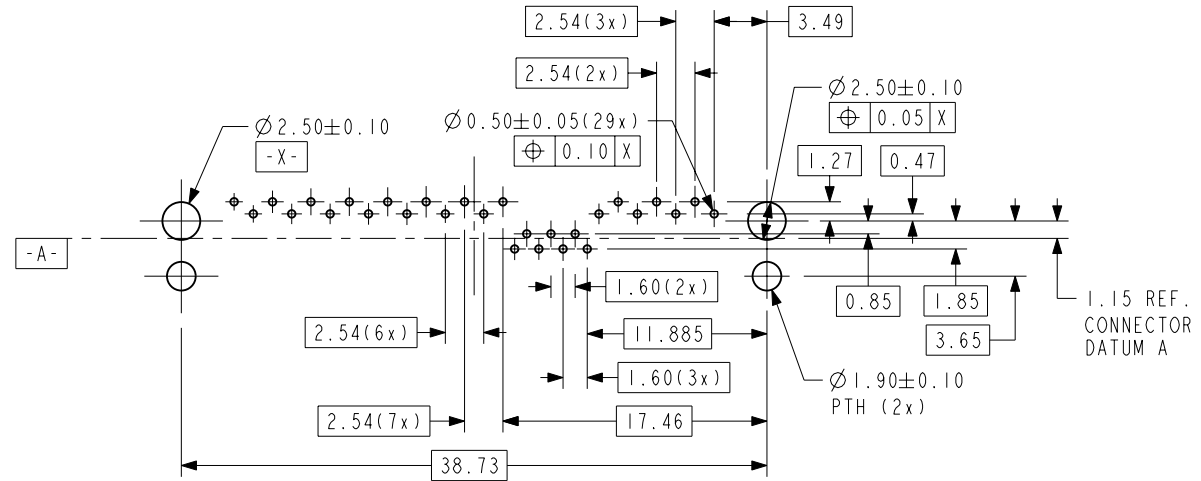
Copyright FCI.

www.fciconnect.com		surface <input checked="" type="checkbox"/> tolerance std	projection	MM
		TOLERANCES UNLESS OTHERWISE SPECIFIED		
Dr	YEO SS	2005-07-26	size	A4
Eng	KP TAY	2010-06-15	Scale	2:1
Chr	KP TAY	2010-06-15	ECN	S10-0127
Appr	JOEY NG	2010-06-15	Product family	SAS
			Spec ref	
FCI		SAS RECEPTACLE PRESS FIT (WIDE BASE)		Rev. D
catalog no		-		10038064
		CUSTOMER		sheet 1 of 2

rev	ecn no	dr	date
A	S05-0043	SSYEO	2005-07-26
B	S05-0296	SSYEO	2005-10-19
C	S07-0256	WLC	2007-07-26
D	S10-0127	KPTAY	2010-06-15
-	-	-	-
-	-	-	-
-	-	-	-

REV E - 2006-03-28

HOLE	A
HOLE DIAMETER AFTER PLATING	0.45-0.55 mm
DRILLED HOLE	0.58-0.62 mm
COPPER PLATING	25-50 μ m
Sn PLATING	5-15 μ m



RECOMMENDED PCB LAYOUT

NOTE:

1. MATERIAL:
 - A) HOUSING: HIGH TEMPERATURE THERMOPLASTIC, UL 94V-0
COLOUR: BLACK
 - B) TERMINAL; COPPER ALLOY
 - C) HOLD DOWN: COPPER ALLOY
- 2 FINISH (LEAD-FREE):
 - A) TERMINAL: 30 μ " Au PLATING (CONTACT POINT) OVER 50 μ " NICKEL
 - B) PRESSFIT TAIL: 20 μ " MIN - 60 μ " MAX Sn OVER 50 μ " NICKEL
 - C) HOLD DOWN: 50 μ " min Sn OVER 50 μ " NICKEL
- 3 PER SFF REV 1.4 EXCEPT 0.8mm PITCH BUMP AREA.
- 4 THE HOUSING WILL WITHSTAND EXPOSURE TO 260 $^{\circ}$ C PEAK TEMPERATURE FOR 10 SECONDS IN A CONVECTION, INFRA-RED OR VAPOR PHASE REFLOW OVEN.
- 5 THIS PRODUCT MEETS EUROPE UNION DIRECTIVES AND OTHER COUNTRY REGULATIONS AS DESCRIBED IN GS-22-008.
- 6 PART NUMBERS ENDING IN "LF" MEANS FOR NOTE 5 LEAD FREE IDENTIFICATION. P/N XXXXXXXX-XXXLF IS EQUIVALENT TO PREVIOUS P/N XXXXXXXX-XXX.



SAS RECEPTACLE PRESS FIT
(WIDE BASE)

catalog no

dwg no

10038064

Rev.
D

CUSTOMER

sheet 2 of 2