



Chipsmall Limited consists of a professional team with an average of over 10 year of expertise in the distribution of electronic components. Based in Hongkong, we have already established firm and mutual-benefit business relationships with customers from,Europe,America and south Asia,supplying obsolete and hard-to-find components to meet their specific needs.

With the principle of “Quality Parts,Customers Priority,Honest Operation,and Considerate Service”,our business mainly focus on the distribution of electronic components. Line cards we deal with include Microchip,ALPS,ROHM,Xilinx,Pulse,ON,Everlight and Freescale. Main products comprise IC,Modules,Potentiometer,IC Socket,Relay,Connector.Our parts cover such applications as commercial,industrial, and automotives areas.

We are looking forward to setting up business relationship with you and hope to provide you with the best service and solution. Let us make a better world for our industry!



## Contact us

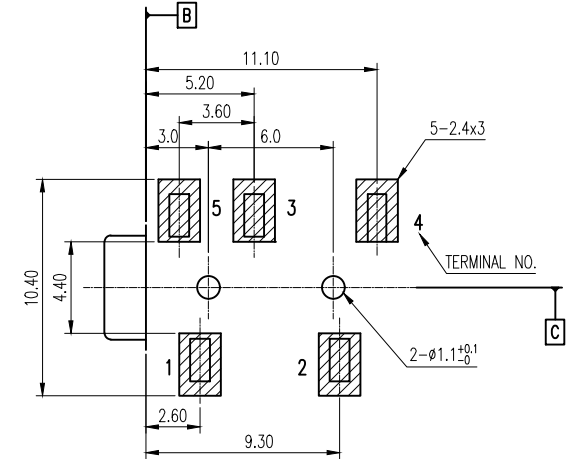
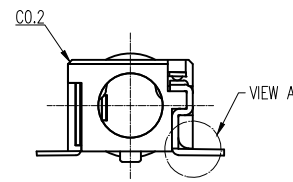
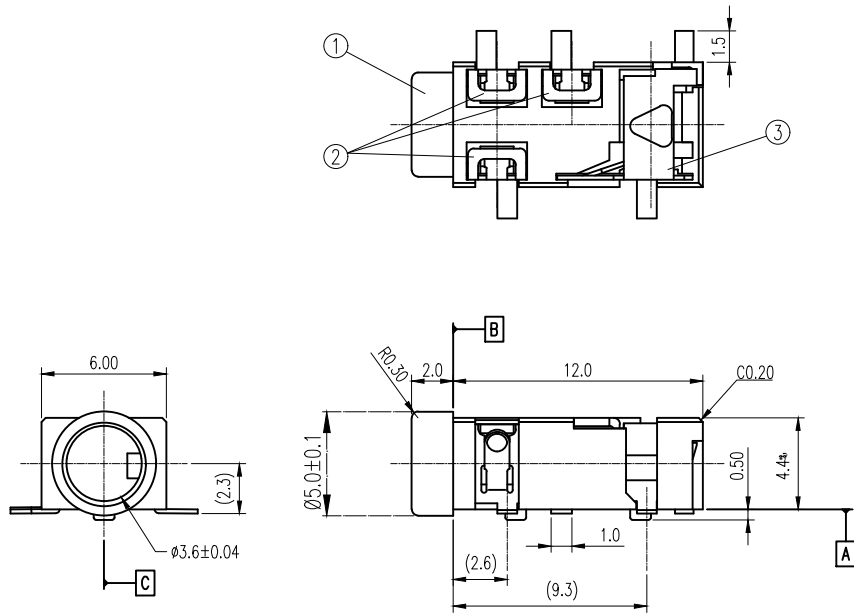
Tel: +86-755-8981 8866 Fax: +86-755-8427 6832

Email & Skype: info@chipsmall.com Web: www.chipsmall.com

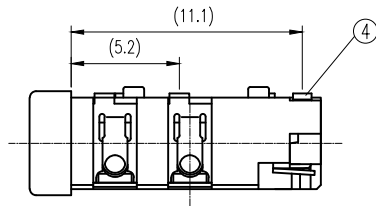
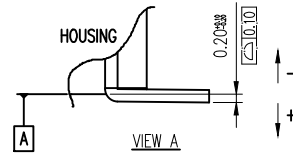
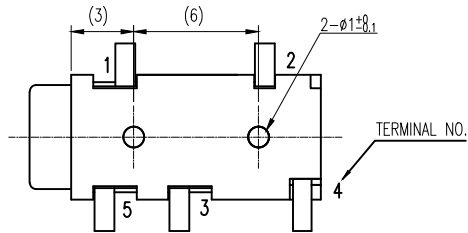
Address: A1208, Overseas Decoration Building, #122 Zhenhua RD., Futian, Shenzhen, China



PROD NO  
SEE NOTES



P.C.B Layout Dimension (Tolerance: ±0.1)  
(Recommend min. Dimension) (top view)



④	BREAK TERMINAL	4	1	C2680	f=0.30
③	TIP SPRING	2	1	C5210	f=0.20
②	CONTACT	1,3,5	3	C5210	f=0.20
①	HOUSING		1	PA9T, UL94V-0	
ITEM	PART NAME	TER'NO	QTY	MATERIAL	

mat'l. code				surface ISO 1302	tolerance ISO 406 ISO 1101	projection	product family	AUDIO JACK	
ltr	ecn no	dr	date	tolerances unless otherwise specified		MM	title		
C	T07-1128	A.C.	8/08/07	angles	linear	MM	φ3.5 MINIATURE JACK		
D	T08-1015	A.C.	1/27/08	0° ± 2°		scale 1:1			
E	T09-1012	S.LIN	2/16/09	dr	JASMINE CHANG	2004-09-02	sheet 1 of 4 size		
F	ELX-I-010517	SAL	2012-03-06	enr	JASON HSU	2004-09-02	A4		
G	ELX-I-012760	SAL	2012-09-10	chr	S. ALOSIOUS	2018-03-21	dwg no		
H	ELX-I-23089	SAL	2016-01-21	appd	BIJU K PAUL	2018-03-21	10038075		
J	ELX-I-29626	AN	2018-03-21			type		Product Customer Drawing	
sheet index	revision sheet	J	J	J	J				
		1	2	3	4				

PROD NO  
SEE NOTES

NOTES :

MATERIALS :

1. HOUSING a) THERMOPLASTIC, BLACK PA9T. (.)  
b) THERMOPLASTIC, BLUE PA9T. (0)
2. CONTACT : PHOSPHER BRONZE(C5210)
3. TIP SPRING : PHOSPHER BRONZE(C5210)
4. BREAK TERMINAL : BRASS.(C2680)

SPECIFICATION :

1. PRODUCT SPEC : GS-12-280.
2. PACKAGING SPEC : GS-14-903.

PLATING SPEC:

TERMINAL PLATING 0: 0.6µm Min. MATTE SILVER PLATED ON ENTIRE OVER 20µ" Min. SEMI BRIGHT Ni WITH 80µ" Min. Cu UNDERPLATED OVER ALL.

TERMINAL PLATING 1: GOLD FLASH PLATED ON ENTIRE WITH 80u" Min. NICKEL UNDERPLATED OVER ALL.

LEAD FREE NOTES :

1. THIS PRODUCT (10038075-XXPLF) MEETS THE EUROPEAN UNION DIRECTIVE AS DESCRIBED IN GS-22-008.
2. THE HOUSING WILL WITHSTAND EXPOSURE TO 260°C PEAK TEMPERATURE FOR 10 SECONDS IN A CONVECTION, IR OR VAPOUR PHASE REFLOW OVEN.

PART NO.	10038075-AXP	10038075-BXP
CIRCUIT		
PART NO.	10038075-DXP	10038075-HXP
CIRCUIT		
PART NO.		10038075-JXP
CIRCUIT		
PART NO.	10038075-KXP	
CIRCUIT		

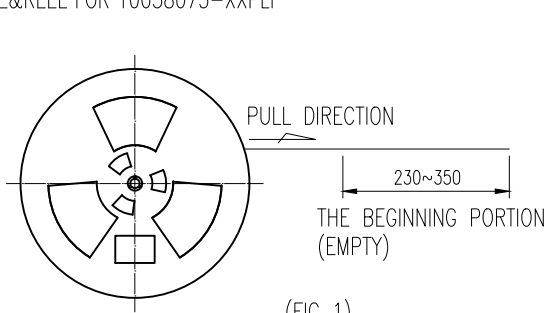
**TABLE I**

PART NUMBERS : 10038075 - X X X X LF

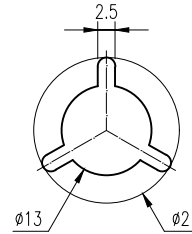
LEAD FREE VERSION  
(.) BLANK : BLACK COLOUR  
0 : BLUE COLOUR  
PACKAGING  
P: TAPE&REEL: REFER TO THE PAGE 3.  
R: TAPE&REEL IN REVERSE DIRECTION: REFER TO PAGE 4.  
TERMINAL PLATING  
0 : SILVER.  
1 : GOLD FLASH.  
SEE TABLE I  
CONFIGURATION

mat'l. code				surface ISO 1302	tolerance ISO 406 ISO 1101	projection	product family AUDIO JACK
ltr	ecn no	dr	date	tolerances unless otherwise specified		 MM scale 1:1	title <b>Ø3.5 MINIATURE JACK</b>
C	T07-1128	A.C.	8/08/07	angles	X ± 0.38		
D	T08-1015	A.C.	1/27/08	lineal	.XX ± 0.25		
E	T09-1012	S.LIN	2/16/09		XXX ± 0.10		
F	ELX-I-010517	SAL	2012-03-05	dr	JASMINE CHAING	2004-09-02	dwg no <b>10038075</b> sheet 2 of 4 size A4
G	ELX-I-012760	SAL	2012-09-10	enr	JASON HSU	2004-09-02	
H	ELX-I-23089	SAL	2016-01-21	chr	S. ALOSIOUS	2018-03-21	
J	ELX-I-29626	AN	2018-03-21	appd	BIJU K PAUL	2018-03-21	
sheet index	revision sheet	J	J	J	J	J	

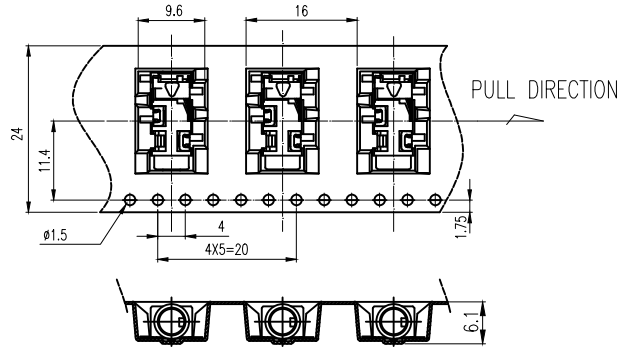
THE SPEC OF TAPE&REEL FOR 10038075-XXPLF



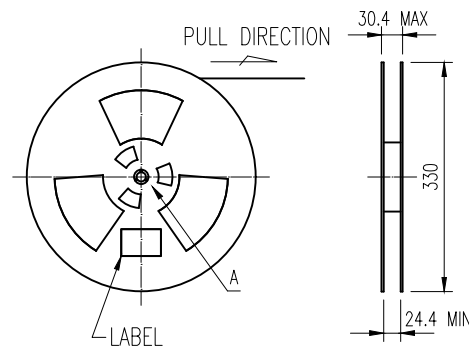
(FIG 1)



DETAIL A



(FIG 2)



(FIG 3)

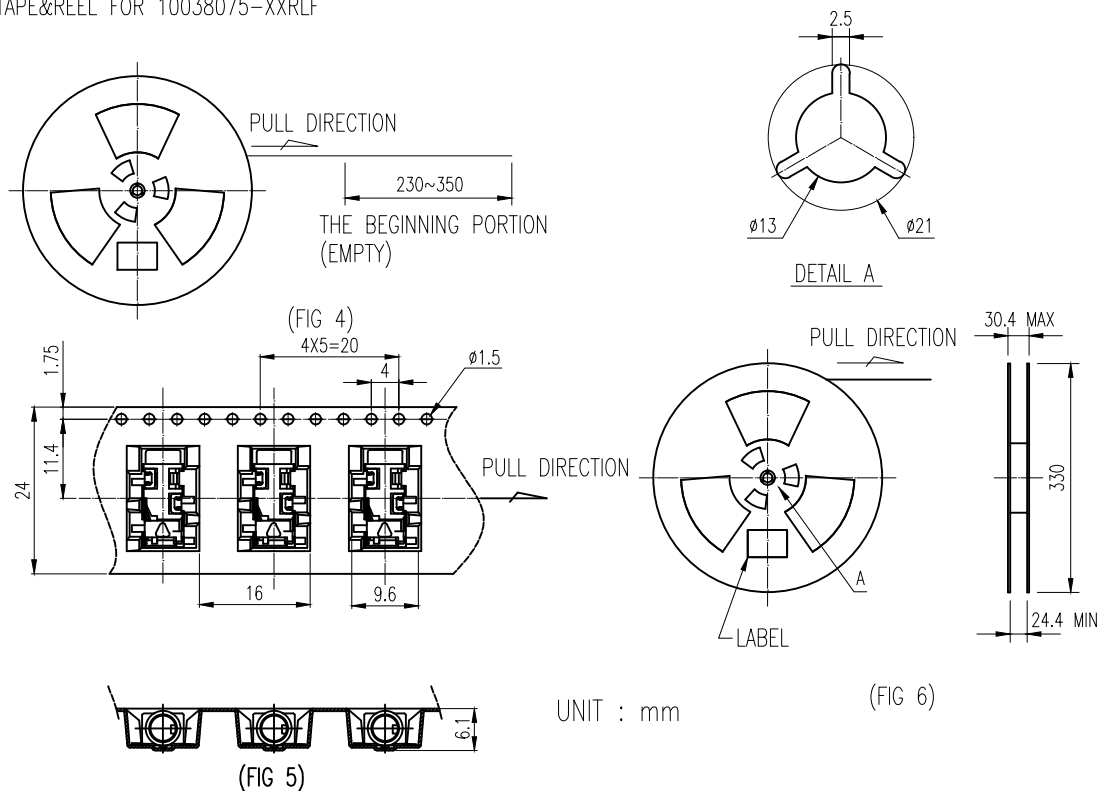
UNIT : mm

REMARK:

- 1.The connector can not be loaded on the position of length 230~350mm in the beginning of carrier tape and 160~240mm in the end of carrier tape. (Refer FIG 1).
- 2.The direction of connector was shown in the FIG 2.
- 3.The label shall be adhered to the front side of reel. (Refer FIG 3).
- 4.A force of 20gf~130gf shall be applied to cover tape as peel off the cover tape at 300mm/min speed in the condition of 165°~180° reverse direction.

mat'l. code				surface ISO 1302	tolerance ISO 406 ISO 1101	projection	product family AUDIO JACK
ltr	ecn no	dr	date	tolerances unless otherwise specified		MM	title ø3.5 MINIATURE JACK
C	T07-1128	A.C.	8/08/07	angles	linear		
D	T08-1015	A.C.	1/27/08		XXX ± 0.10	scale 1:1	
E	T09-1012	S.LIN	2/16/09	0° ± 2°			
F	ELX-I-010517	SAL	2012-03-05	dr	JASMINE CHAING	2004-09-02	product family AUDIO JACK
G	ELX-I-012760	SAL	2012-09-10	engr	JASON HSU	2004-09-02	title ø3.5 MINIATURE JACK
H	ELX-I-23089	SAL	2016-01-21	chr	S. ALOSIOUS	2018-03-21	dwg no 10038075
J	ELX-I-29626	AN	2018-03-21	appd	BIJU K PAUL	2018-03-21	sheet 3 of 4 size A4
sheet index		revision	J	J	J	J	type Product Customer Drawing
		sheet	1	2	3	4	

THE SPEC OF TAPE&REEL FOR 10038075-XXRLF



UNIT : mm

(FIG 6)

REMARK:

- 1.The connector can not be loaded on the position of length 230~350mm in the beginning of carrier tape and 160~240mm in the end of carrier tape. (Refer FIG 4).
- 2.The direction of connector was shown in the FIG 5.
- 3.The label shall be adhered to the front side of reel. (Refer FIG 6).
- 4.A force of 20gf~130gf shall be applied to cover tape as peel off the cover tape at 300mm/min speed in the condition of 165°~180° reverse direction.

mat'l. code				surface ISO 1302	tolerance ISO 406 ISO 1101	projection MM	product family AUDIO JACK
ltr	ecn no	dr	date	tolerances unless otherwise specified		MM	title Ø3.5 MINIATURE JACK
C	T07-1128	A.C.	8/08/07	angles	X ± 0.38		
D	T08-1015	A.C.	1/27/08	linear	.XX ± 0.25	scale 1:1	dwg no 10038075
E	T09-1012	S.LIN	2/16/09	0° ± 2°	.XXX ± 0.10		
F	ELX-I-010517	SAL	2012-03-05	dr	JASMINE CHAING	2004-09-02	sheet 4 of 4
G	ELX-I-012760	SAL	2012-09-10	enr	JASON HSU	2004-09-02	size A4
H	ELX-I-23089	SAL	2016-01-21	chr	S. ALOSIOUS	2018-03-21	type Product Customer Drawing
J	ELX-I-29626	AN	2018-03-21	appd	BIJU K PAUL	2018-03-21	
sheet index	revision sheet	J	J	J	J		
		1	2	3	4		