



Chipsmall Limited consists of a professional team with an average of over 10 year of expertise in the distribution of electronic components. Based in Hongkong, we have already established firm and mutual-benefit business relationships with customers from,Europe,America and south Asia,supplying obsolete and hard-to-find components to meet their specific needs.

With the principle of “Quality Parts,Customers Priority,Honest Operation,and Considerate Service”,our business mainly focus on the distribution of electronic components. Line cards we deal with include Microchip,ALPS,ROHM,Xilinx,Pulse,ON,Everlight and Freescale. Main products comprise IC,Modules,Potentiometer,IC Socket,Relay,Connector.Our parts cover such applications as commercial,industrial, and automotives areas.

We are looking forward to setting up business relationship with you and hope to provide you with the best service and solution. Let us make a better world for our industry!



Contact us

Tel: +86-755-8981 8866 Fax: +86-755-8427 6832

Email & Skype: info@chipsmall.com Web: www.chipsmall.com

Address: A1208, Overseas Decoration Building, #122 Zhenhua RD., Futian, Shenzhen, China

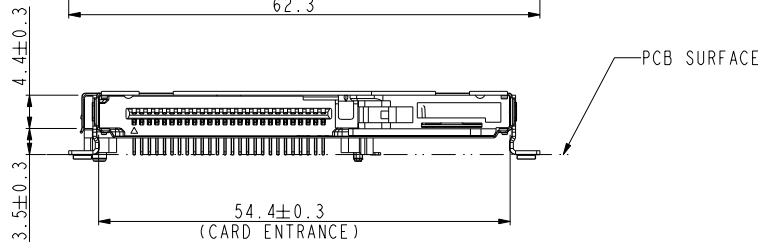
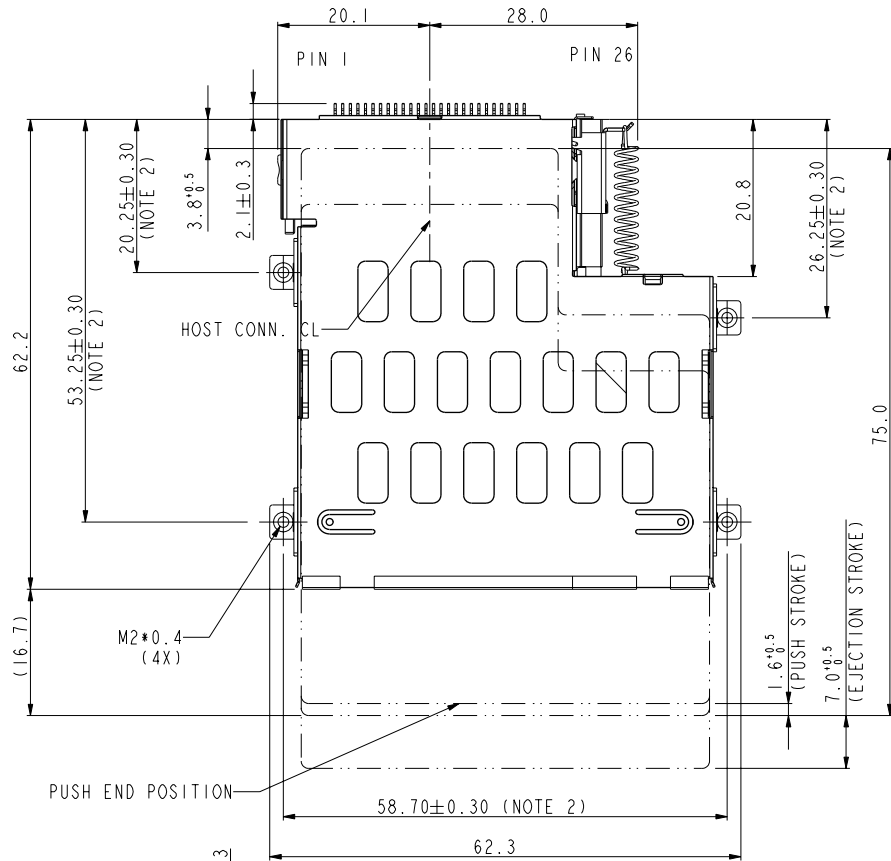




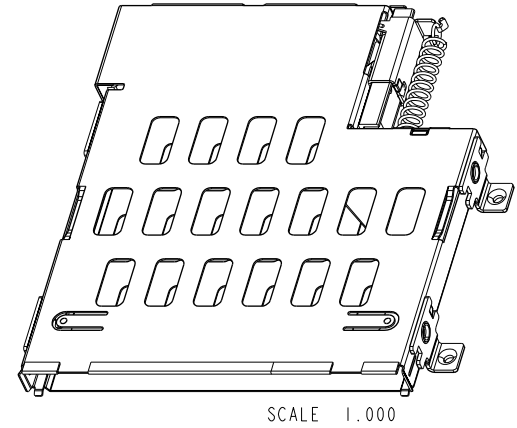
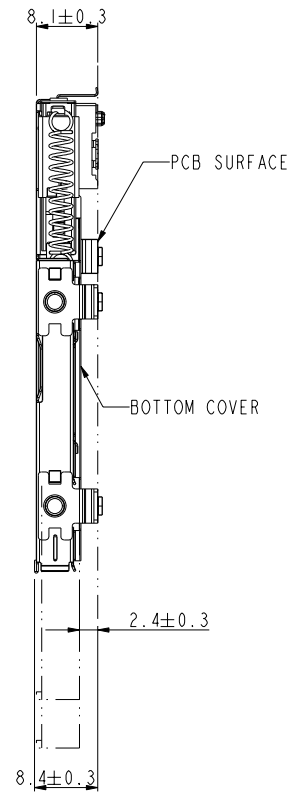
Tous droits strictement réservés. Reproduction ou communication à des tiers interdite sous quelque forme que ce soit sans autorisation écrite du propriétaire. Propriété de FCI. Droits de reproduction FCI.

All rights strictly reserved. Reproduction or issue to third parties in any form whatever is not permitted without written authority from the proprietor. Property of FCI. Copyright FCI.

PART NO.	MOUNTING	STAND-OFF	HOST CONN P/N	PRODUCT SPEC.	PACKING SPEC.	NOTE
10038774-22A	ABOVE	2.20MM	10030594-122AXXL	GS-12-301	GS-14-295	LEAD FREE
10038774-22ALF	ABOVE	2.20MM	10030594-122AXXL	GS-12-301	GS-14-295	LEAD FREE



SCALE 1.000



tolerance unless otherwise specified	
linear	.XX ± .5
angles	0° ± 2°

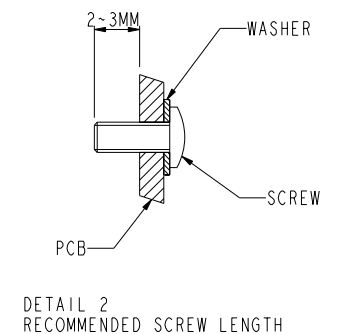
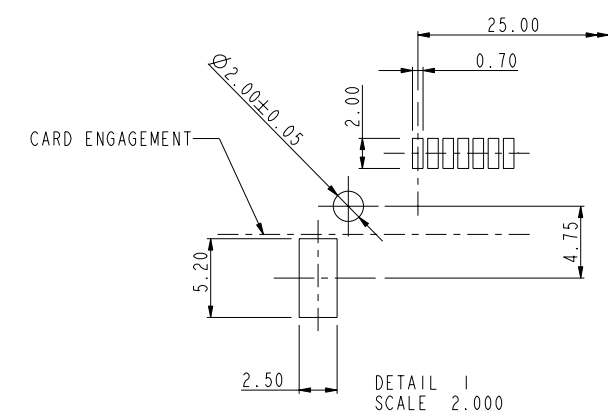
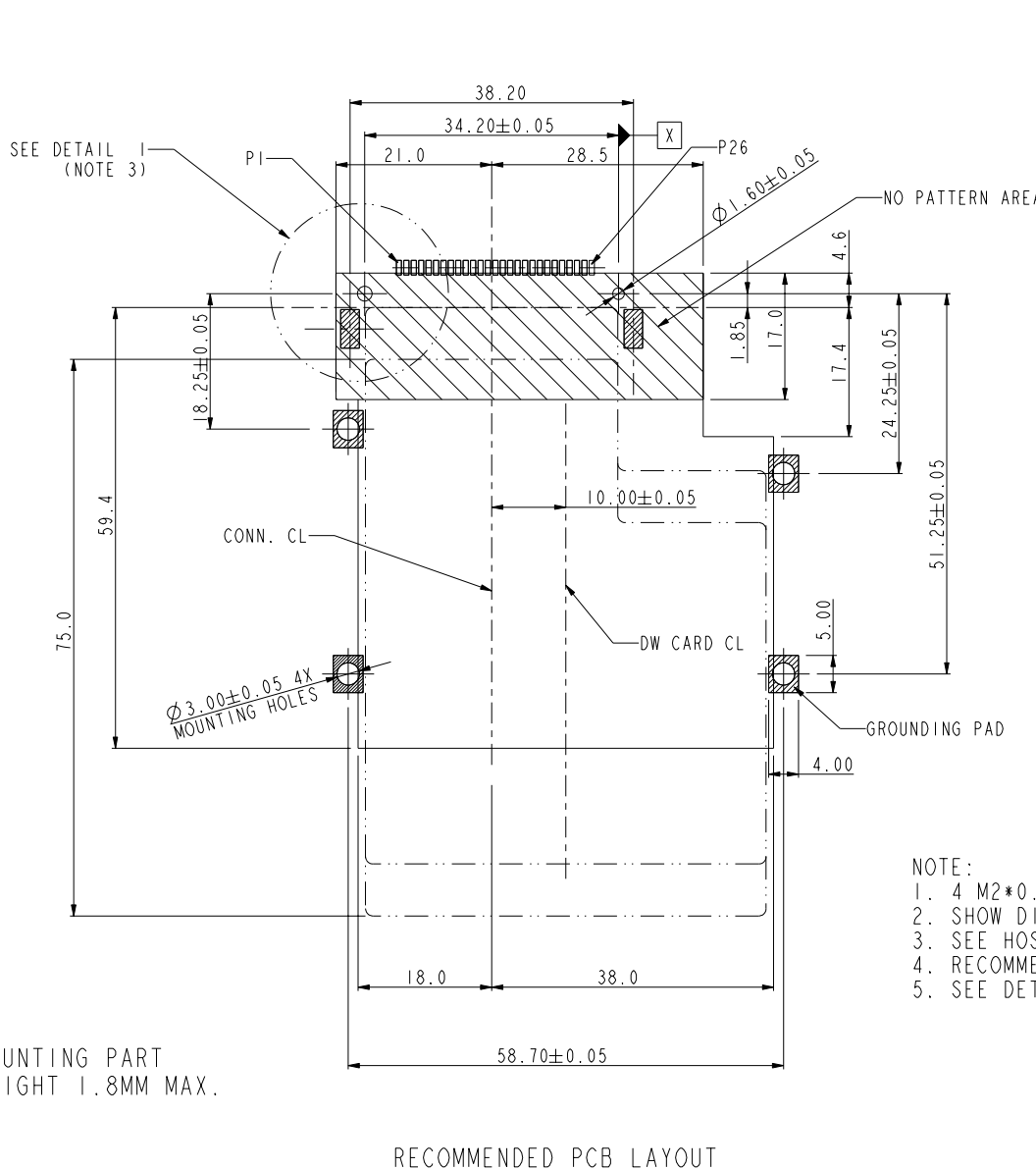
	www.fciconnect.com		<input checked="" type="checkbox"/> tolerance ASME Y14.5	projection	<input checked="" type="checkbox"/> MM
	Dr	KENNY TAI 02/02/04	Product family	size	A4
Eng	KENNY TAI 02/02/04	Spec ref	*	Scale	1.000
Chr	KENNY TAI 02/02/04	Material	SEE NOTES	ECN	T05-0244
Appr	PAUL WANG 02/02/04				
title	EXPRESSCARD HOST MECH.		dwg no	10038774	Rev. C
	ABOVE MOUNT, 2.2MM STAND-OFF				
catalog no	10038774	CUSTOMER	sheet 1 of 2		

rev	ecn no	dr	date
A	T04-0411	TAI	11/22/04
B	T04-0426	TAI	12/08/04
C	T05-0244	TAI	11/02/05
-	-	-	-
-	-	-	-
-	-	-	-

Tous droits strictement réservés. Reproduction ou communication à des tiers interdite sous quelque forme que ce soit sans autorisation écrite du propriétaire. Propriété de FCI. Droits de reproduction FCI.

FCI

All rights strictly reserved. Reproduction or issue to third parties in any form whatever is not permitted without written authority from the proprietor. Property of FCI. Copyright FCI.



- NOTE:
1. 4 M2*0.4P SCREWS WITH WASHER ARE REQUIRED.
 2. SHOW DIMENSION AFTER FASTENED TO PCB.
 3. SEE HOST CONNECTOR DRAWINGS FOR PCB LAYOUT DETAIL.
 4. RECOMMENDED TIGHTING TORQUE 1.6~1.8 KGF-CM.
 5. SEE DETAIL 2 FOR RECOMMENDED SCREW LENGTH.

 MOUNTING PART HEIGHT 1.8MM MAX.

RECOMMENDED PCB LAYOUT

SCALE 1.000

title	EXPRESSCARD HOST MECH.		dwg no	10038774	Rev.	C
	ABOVE MOUNT, 2.2MM STAND-OFF					
catalog no	10038774	CUSTOMER	sheet 2 of 2			