



Chipsmall Limited consists of a professional team with an average of over 10 year of expertise in the distribution of electronic components. Based in Hongkong, we have already established firm and mutual-benefit business relationships with customers from,Europe,America and south Asia,supplying obsolete and hard-to-find components to meet their specific needs.

With the principle of “Quality Parts,Customers Priority,Honest Operation,and Considerate Service”,our business mainly focus on the distribution of electronic components. Line cards we deal with include Microchip,ALPS,ROHM,Xilinx,Pulse,ON,Everlight and Freescale. Main products comprise IC,Modules,Potentiometer,IC Socket,Relay,Connector.Our parts cover such applications as commercial,industrial, and automotives areas.

We are looking forward to setting up business relationship with you and hope to provide you with the best service and solution. Let us make a better world for our industry!



Contact us

Tel: +86-755-8981 8866 Fax: +86-755-8427 6832

Email & Skype: info@chipsmall.com Web: www.chipsmall.com

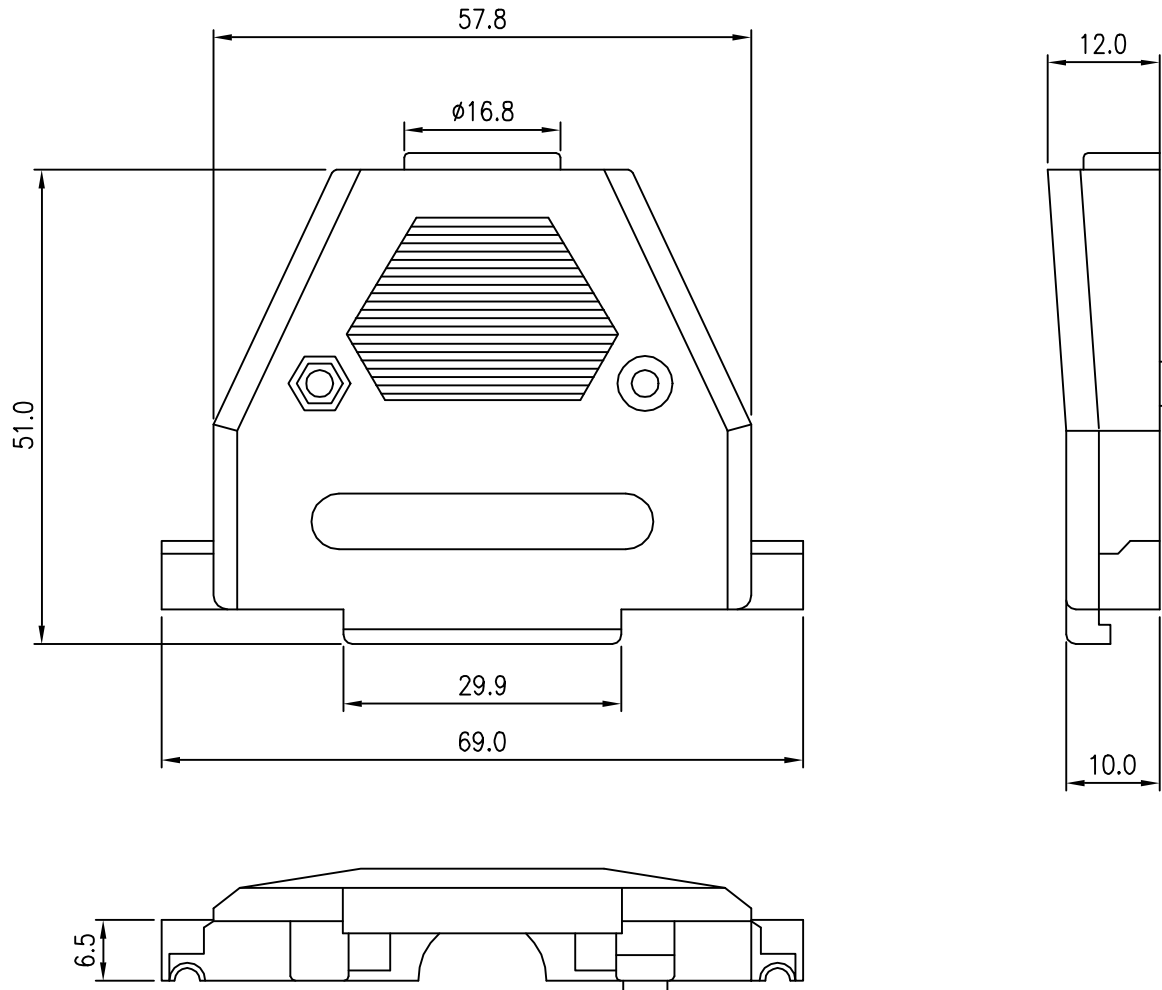
Address: A1208, Overseas Decoration Building, #122 Zhenhua RD., Futian, Shenzhen, China





All rights strictly reserved. Reproduction or issue to third parties in any form whatever is not permitted without written authority from the proprietor. Property of FCI. Copyright FCI.

Tous droits strictement reserves. Reproduction ou communication a des tiers interdite sous quelque forme que ce soit sans autorisation ecrite du propriétaire. Propriete de c FCI. Droits de reproduction FCI.



mat'l. code				tolerances unless otherwise specified		CUSTOMER COPY	 www.fciconnect.com		
ltr	ecn no	dr	date	linear	.X ±.30			projection	title
A	T04-0160	J.C	3/23/04		.XX ±.20	 MM	PLASTIC HOOD FOR D-SUB 37PIN		
B	T04-0348	J.C	8/11/04		.XXX ±.10				
C	T06-0049	J.H	4/13/06	angles	0° ±1°				
				dr	JASMINE CHANG 3/23/04	product family	D-SUB ACCESSORY	code	-
				engr	WADE LIU 3/23/04	size	dwg no	sheet	1 of 2
				chr	ROGER LIN 3/23/04	scale	A4	10039452	
				appd	JAMES HSU 3/23/04	N/A			
sheet index	revision sheet	C	C						
		1	2						

cage code
22526

ACAD

PDM: Rev:C

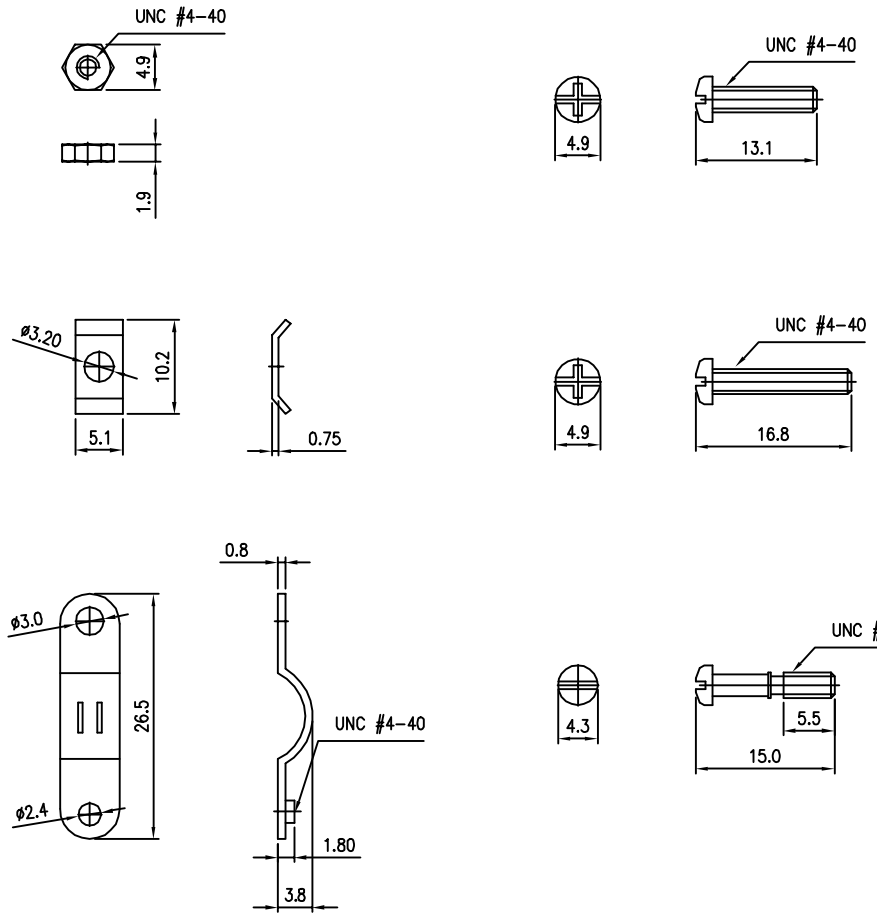
STATUS Released

Printed: Apr 20, 2006

Tous droits strictement reserves. Reproduction ou communication a des tiers interdite sous quelque forme que ce soit sans autorisation ecrite du proprietaire. Propriete de c FCI. Droits de reproduction FCI.



All rights strictly reserved. Reproduction or issue to third parties in any form whatever is not permitted without written authority from the proprietor. Property of FCI. Copyright FCI.



NOTE:

MATERIAL:

Insulator: ABS UL94-HB

The product is not intended to be exposed to a manufacturing process.

PRODUCT NUMBER:

10039452- 0 0 0 X X LF

PLATING LEAD FREE

TYPE

- 1: NO PLATED.
- 2: Cr PLATED.

PLASTIC COLOR
0: GRAY.

mat'l. code				tolerances unless otherwise specified		INSPECTION COPY		 www.fciconnect.com	
ltr	ecn no	dr	date	linear	.X ±.30	projection		title	
B					.XX ±.20			PLASTIC HOOD FOR D-SUB 37PIN	
C	T06-0049	J.H.	04/13/06	angles	.XXX ±.10	MM		product family D-SUB ACCESSORY	
				dr	0° ±1°	scale		code	
				enr	JASMINE CHANG 3/23/04	N/A		-	
				chr	WADE LIU 3/23/04			sheet	
				appd	ROGER LIN 3/23/04			2 of 2	
					JAMES HSU 3/23/04			size dwg no	
sheet index	revision sheet	C	C					A4 10039452	
		1	2						

cage code
22526