



Chipsmall Limited consists of a professional team with an average of over 10 year of expertise in the distribution of electronic components. Based in Hongkong, we have already established firm and mutual-benefit business relationships with customers from,Europe,America and south Asia,supplying obsolete and hard-to-find components to meet their specific needs.

With the principle of “Quality Parts,Customers Priority,Honest Operation,and Considerate Service”,our business mainly focus on the distribution of electronic components. Line cards we deal with include Microchip,ALPS,ROHM,Xilinx,Pulse,ON,Everlight and Freescale. Main products comprise IC,Modules,Potentiometer,IC Socket,Relay,Connector.Our parts cover such applications as commercial,industrial, and automotives areas.

We are looking forward to setting up business relationship with you and hope to provide you with the best service and solution. Let us make a better world for our industry!



Contact us

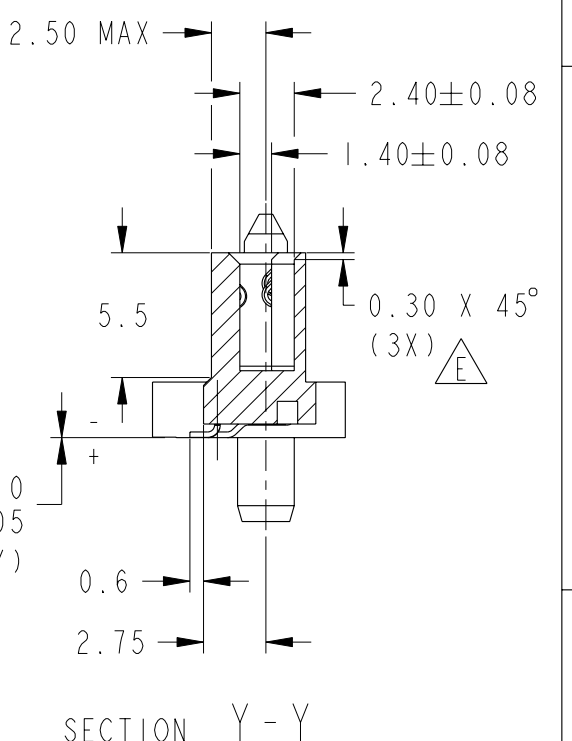
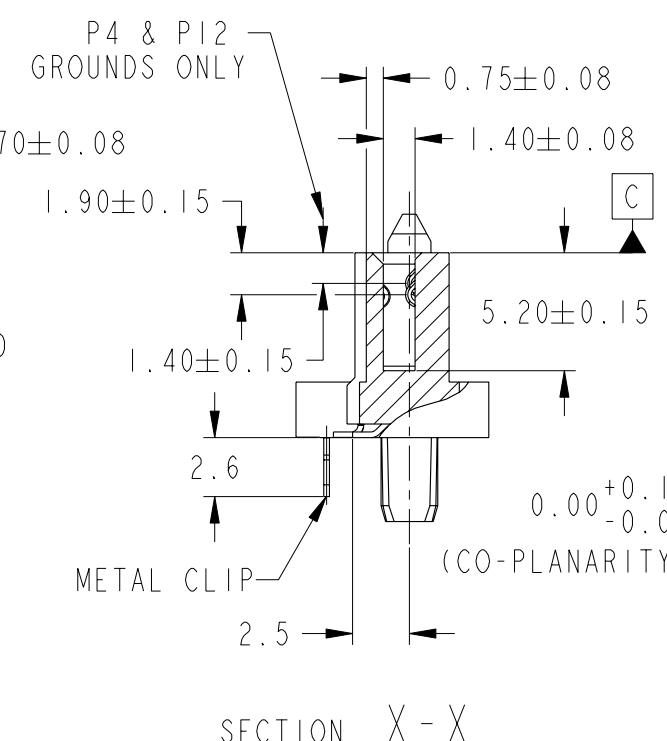
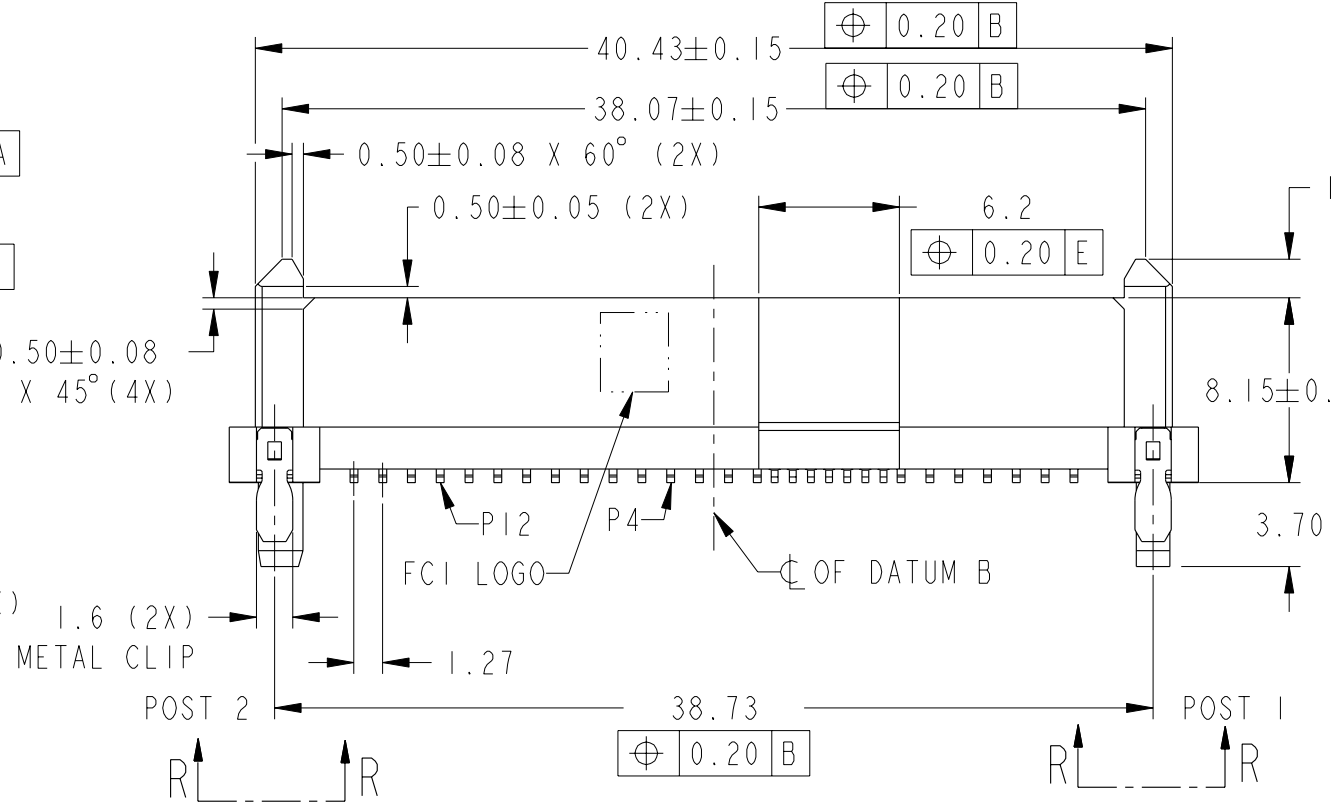
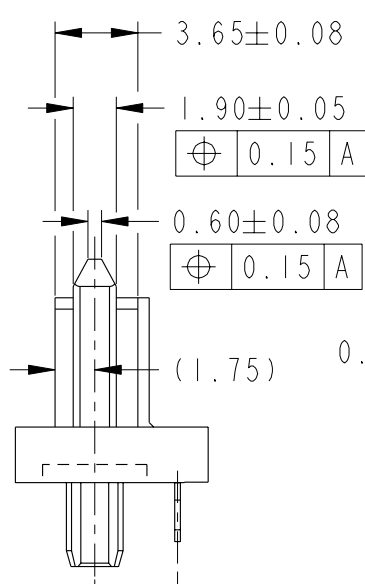
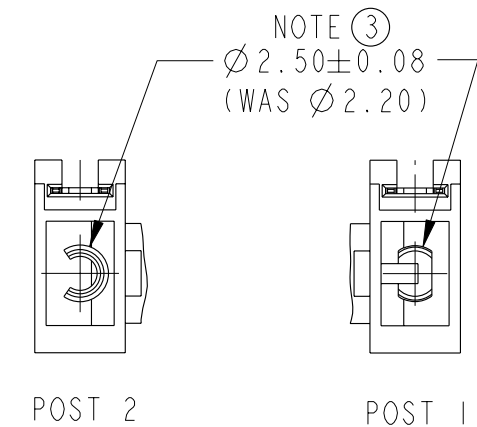
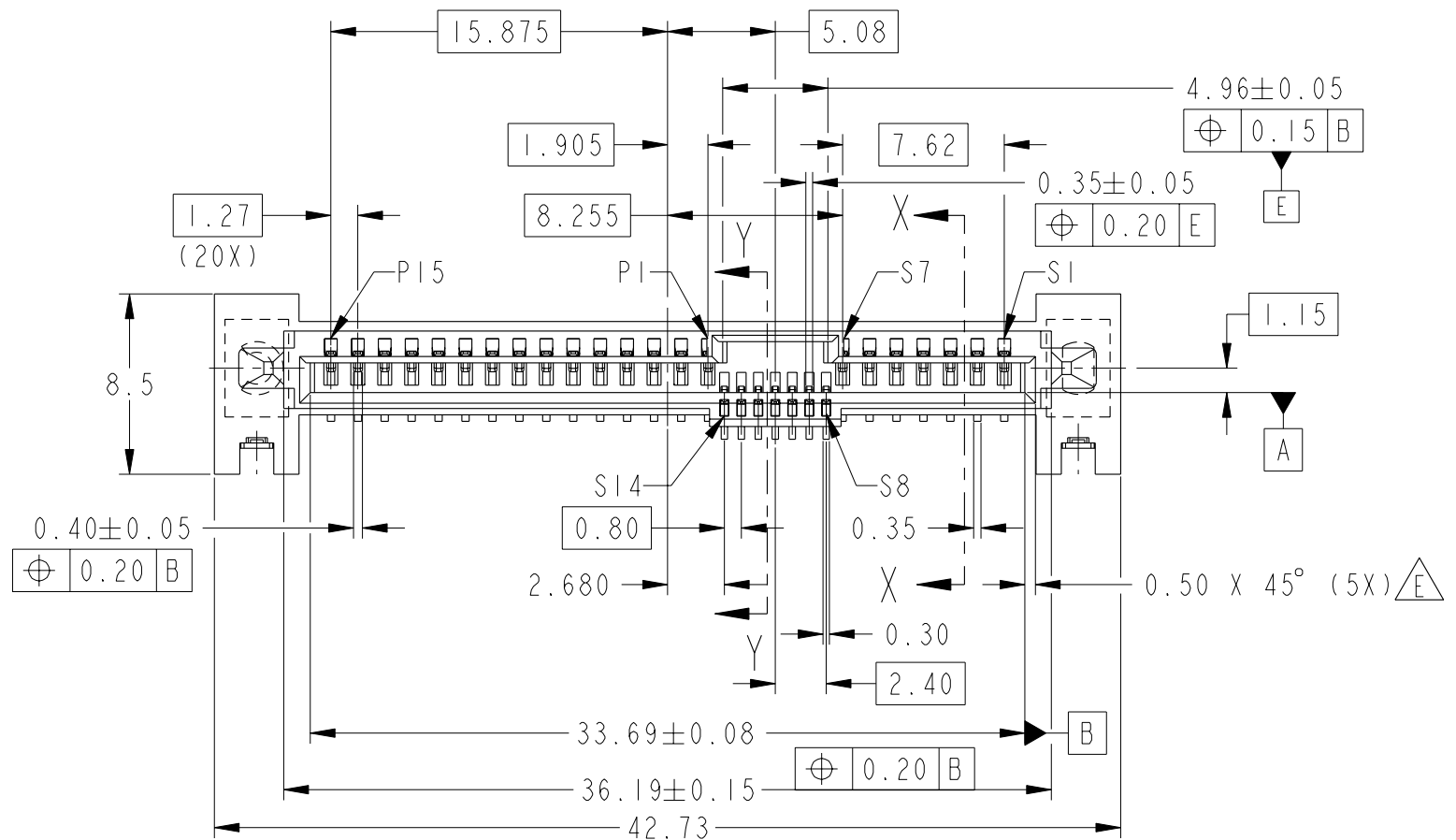
Tel: +86-755-8981 8866 Fax: +86-755-8427 6832

Email & Skype: info@chipsmall.com Web: www.chipsmall.com

Address: A1208, Overseas Decoration Building, #122 Zhenhua RD., Futian, Shenzhen, China



PRODUCT NO
SEE TABLE



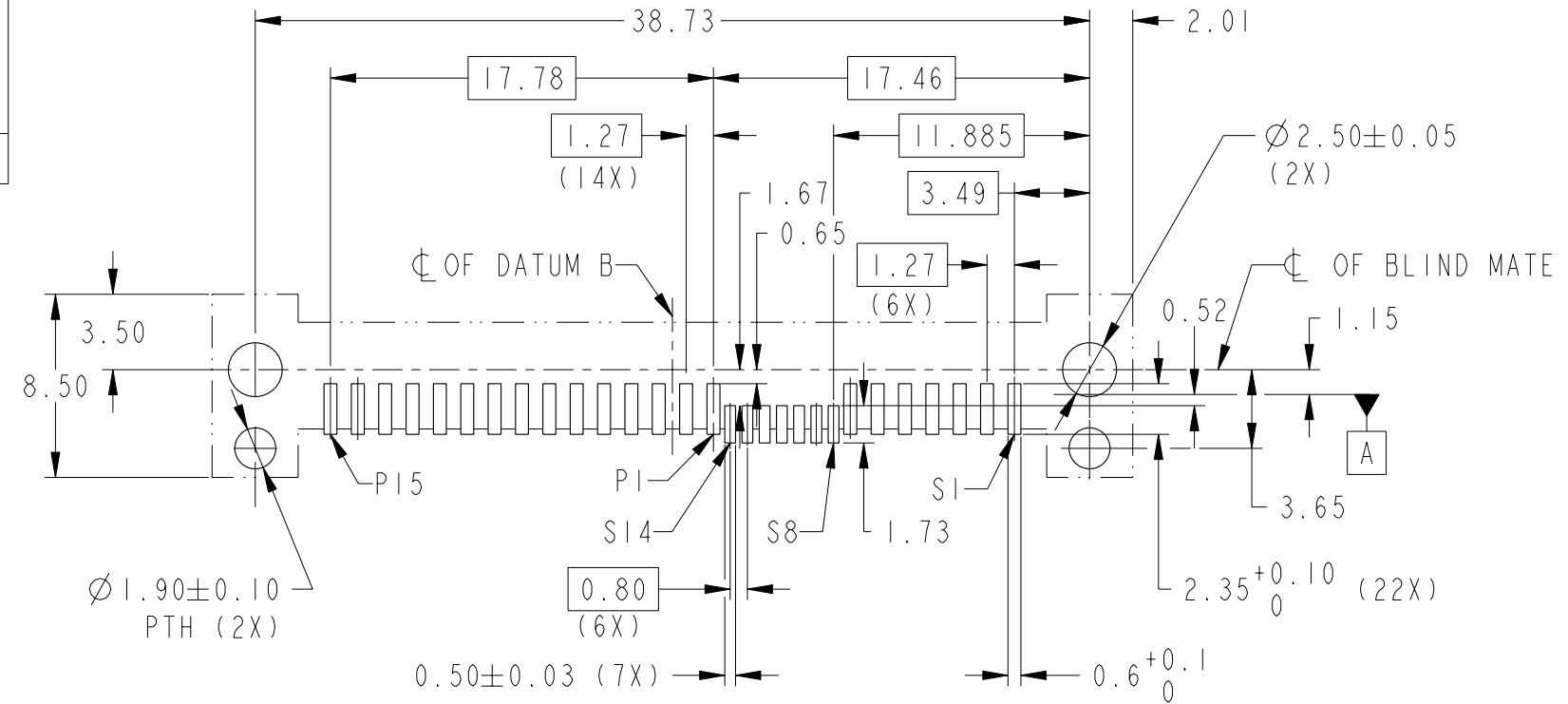
Copyright FCI.

spec ref	-	dr	GL LOO	2004-03-30	projection	MM	size	A3	scale	3:1
tolerance std	ISO 406 ISO 1101	eng	GL LOO	2006-03-14			ecn no	S10-0228	rel level	-
TOLERANCES UNLESS OTHERWISE SPECIFIED		chr	GL LOO	2010-10-28						
surface	ISO 1302	appr	JOEY NG	2010-10-28			dwg no	10039845	rev	E
	linear	0.X	±				Product - Customer Drw		sheet 1 of 2	
		0.XX	±0.20				PDS: Rev :E		STATUS:Released	
		0.XXX	±				Printed: Nov 01, 2011			
	angular	0°	±2°							

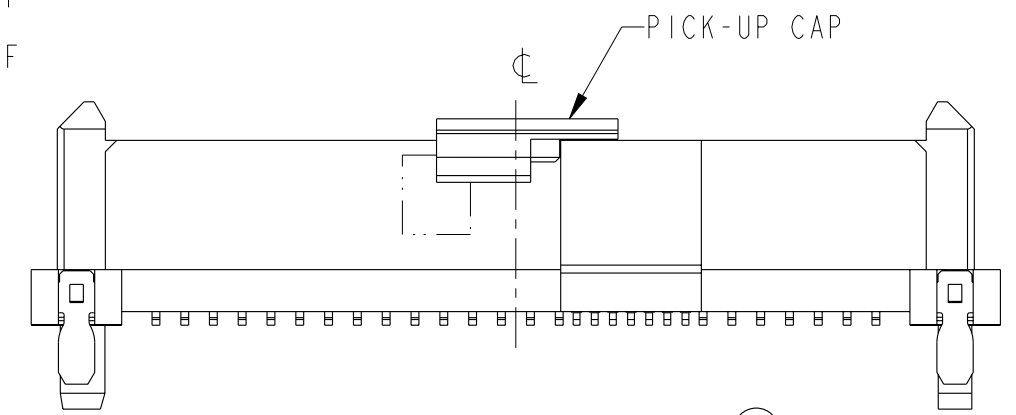
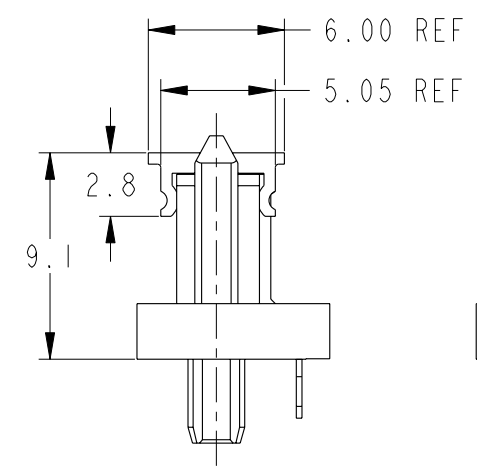
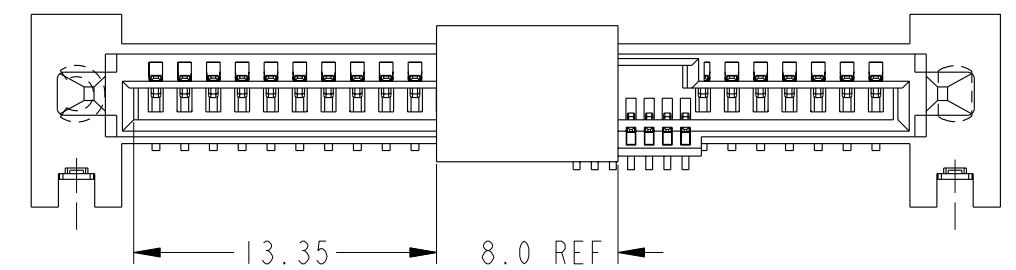
PRODUCT NO	PICK-UP CAP	PACKAGING	REMARK
10039845-001LF	NO	TRAY	--
10039845-001CLF	YES		
10039845-001C-TRLF	YES	TAPE & REEL	
10039845-051LF	NO	TRAY	NO PIN AT S8 TO S14

NOTES:

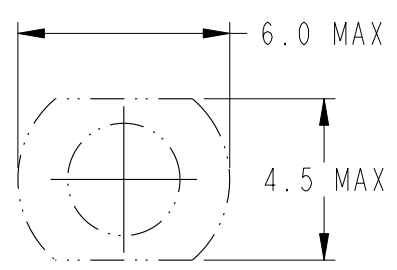
- MATERIAL:
 - HOUSING : HIGH TEMP THERMOPLASTIC, UL 94V-0
COLOUR : BLACK
 - TERMINAL : COPPER ALLOY
 - HOLD DOWN : COPPER ALLOY
- FINISH :
 - TERMINAL : 30μ" Au PLATING (CONTACT POINT) OVER 50μ" NICKEL
 - SOLDER TAIL : 50μ" MIN Sn OVER 50μ" NICKEL
 - HOLD DOWN : 50μ" MIN Sn OVER 50μ" NICKEL
- THE DIM. IS MEASURED AT P.C. BOARD SITTING PLANE
- PER SFF REV 1.3
- PART WITH PICK-UP CAP, P/N XXXXXXXX-XXXC_LF
- THE STD PACKAGING IS IN TRAY
- FOR TAPE & REEL PACKAGING, SUFFIX "-TR" ADDED.
P/N XXXXXXXX-XXXC-TR_LF
- THE HOUSING WILL WITHSTAND EXPOSURE TO 260°C PEAK TEMPERATURE FOR 10 SECONDS IN A CONVECTION, INFRA-RED OR VAPOR PHASE REFLOW OVEN
- THIS PRODUCT MEETS EUROPEAN UNION DIRECTIVES AND OTHER COUNTRY REGULATIONS AS DESCRIBED IN GS-22-008
- PART NUMBERS ENDING IN "LF" MEANS FOR NOTE 8 LEAD FREE IDENTIFICATION
- A $\triangle E$ SYMBOL WILL BE NEXT TO ANY DIMENSION, VIEW, OR NOTE WHICH HAS BEEN MODIFIED WITH THE CURRENT DRAWING REVISION.



RECOMMENDED PCB LAYOUT



PART WITH PICK-UP CAP, SEE NOTE 5



RECOMMENDED SUCTION HEAD SIZE

spec ref	-	dr	GL LOO	2004-03-30	projection	MM	size	A3	scale	3:1
tolerance std	ISO 406 ISO 1101	eng	GL LOO	2006-03-14			ecn no	S10-0228	rel level	-
TOLERANCES UNLESS OTHERWISE SPECIFIED		chr	GL LOO	2010-10-28						
surface	ISO 1302	appr	JOEY NG	2010-10-28			rel level	-	dwg no	10039845
	linear	0.X	±-		SAS RECEPTACLE WIDE BASE SMT		rev	E	Product - Customer Drw	
	angular	0°	±2°		www.fci.com		sheet 2 of 2			



Copyright FCI.