



Chipsmall Limited consists of a professional team with an average of over 10 year of expertise in the distribution of electronic components. Based in Hongkong, we have already established firm and mutual-benefit business relationships with customers from,Europe,America and south Asia,supplying obsolete and hard-to-find components to meet their specific needs.

With the principle of “Quality Parts,Customers Priority,Honest Operation,and Considerate Service”,our business mainly focus on the distribution of electronic components. Line cards we deal with include Microchip,ALPS,ROHM,Xilinx,Pulse,ON,Everlight and Freescale. Main products comprise IC,Modules,Potentiometer,IC Socket,Relay,Connector.Our parts cover such applications as commercial,industrial, and automotives areas.

We are looking forward to setting up business relationship with you and hope to provide you with the best service and solution. Let us make a better world for our industry!



Contact us

Tel: +86-755-8981 8866 Fax: +86-755-8427 6832

Email & Skype: info@chipsmall.com Web: www.chipsmall.com

Address: A1208, Overseas Decoration Building, #122 Zhenhua RD., Futian, Shenzhen, China



PRODUCT NO.

10042867-**MB(ST)****

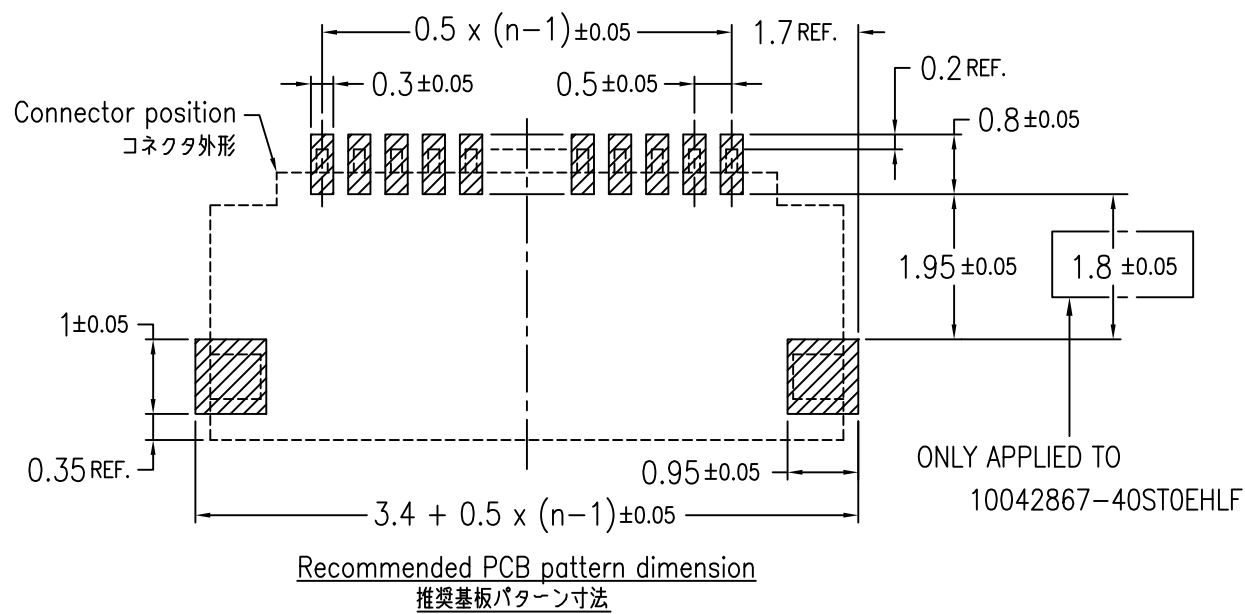
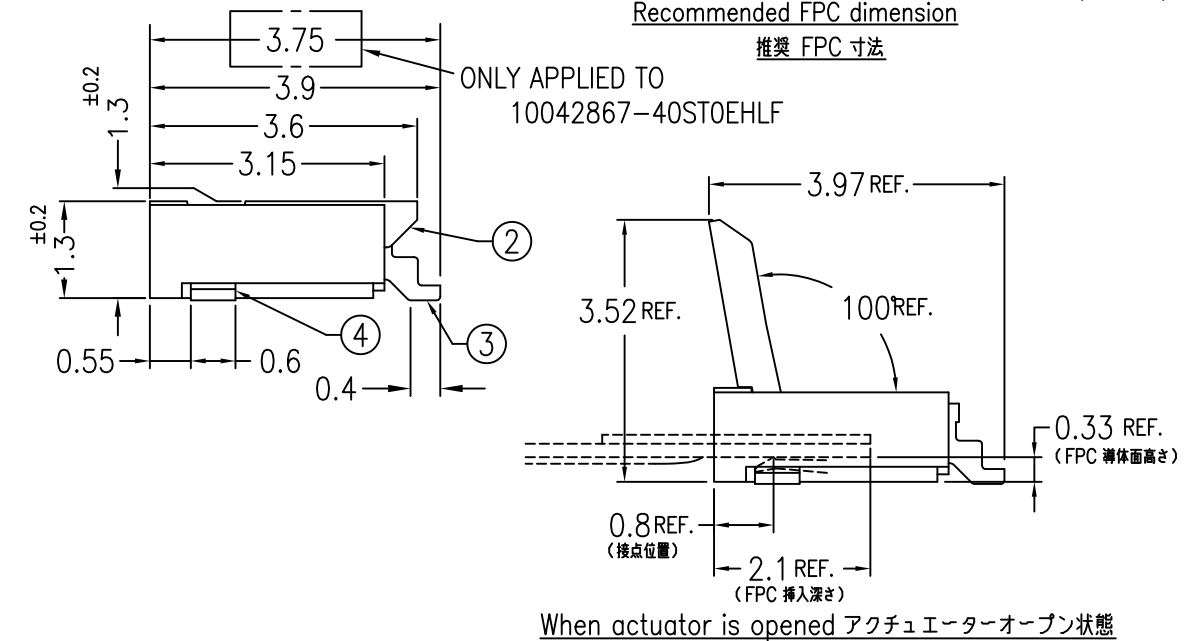
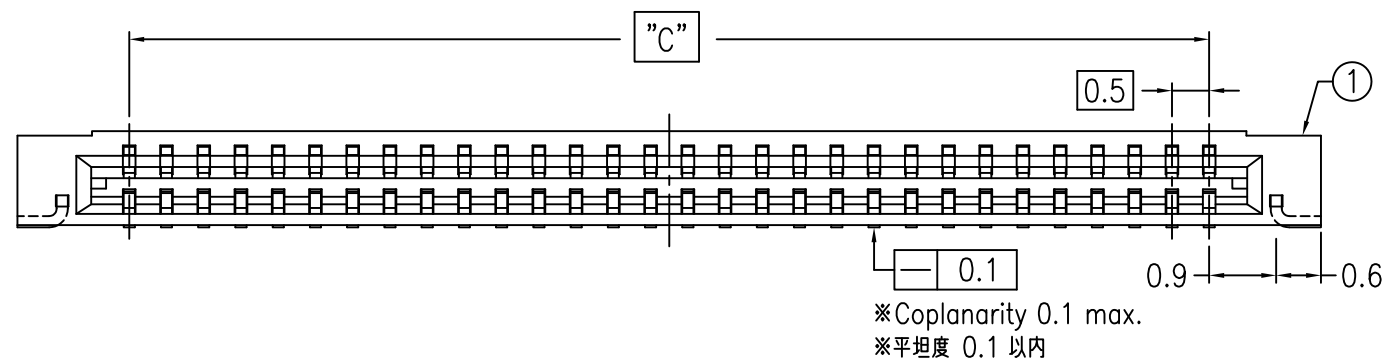
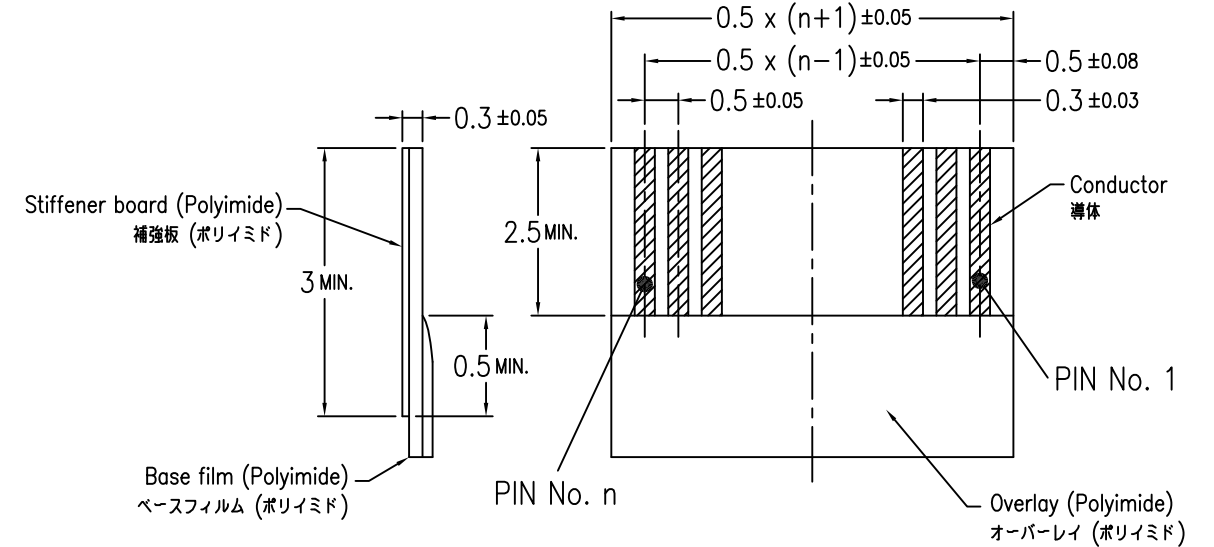
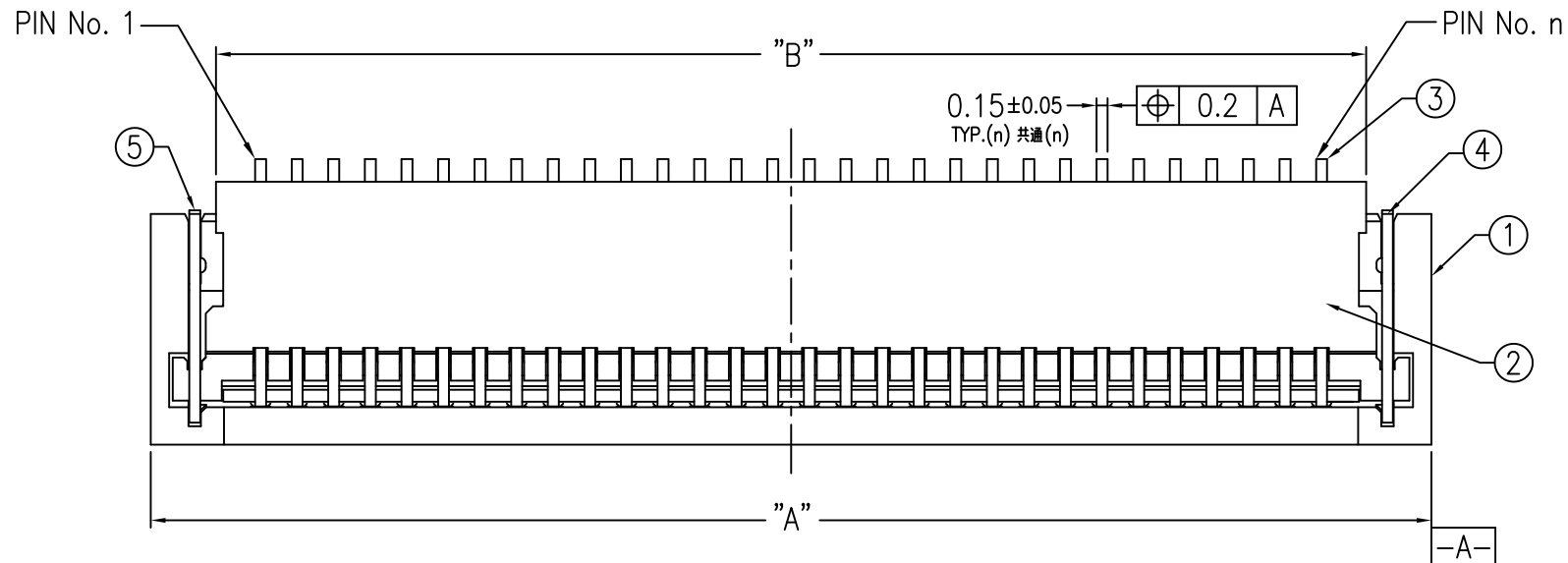
CONNECTOR ASSY

Note

- 1. "n" SHOWS THE NUMBER OF CONTACTS.
- 2. THIS PRODUCT MEETS EUROPEAN UNION DIRECTIVES AND OTHER COUNTRY REGULATIONS AS DESCRIBED IN GS-22-008.
- 3. THIS HOUSING WILL WITHSTAND EXPOSURE TO 260DegC PEAK TEMPERATURE FOR 10 SECONDS IN A CONVECTION,INFRARED OR VAPOR PHASE REFLOW OVEN. SEE APPLICATION NOTES/PROCEDURES IF THEY ARE AVAILABLE.

注記

- 1. n は極数を示す。
- 2. 本製品は、GS-22-008に記載されたヨーロッパ連合指令と他国の規制に適合しています。
- 3. 本製品の樹脂部分はリフロー雰囲気260°C、10秒を満足する耐熱性があります。詳細は取扱説明書を参照ください。



mat'l. code		surface		tolerance		projection		product family	
---		ISO 1302		ISO 406		mm		59GF FLEX 0.5	
ltr		date		tolerances unless otherwise specified		mm		title	
A		12/8/'04		linear		mm		ASSEMBLY	
J		2007-10-25		±2'		scale 10:1		0.5mm PITCH CONNECTOR FOR FPC VLH Series	
K		2008-8-21		N.SASAME		2016-04-07		dwg no	
L		2010-4-6		N.SASAME		2016-04-07		sheet 1 of 3	
M		2010-10-29		H.SUZUKI		2016-04-07		size	
N		2016-04-07		Y.KAMEDA		2016-04-07		A3	
sheet		revision		N		N		type	
index		sheet		1		2		Product Customer Drawing	
				N		3		Rev.	
				1		2		N	

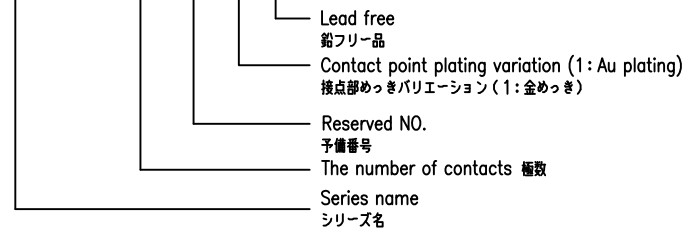
PRODUCT NO.

CONNECTOR ASSY

10042867-**MB(ST)**

<P/N composition> <P/N 構成>

10042867- 45 M B 1 LF



PARTS TABLE 部品表

No.	Part name 部品名	Material 材質	Finish めっき	Note 備考
①	Housing ハウジング	Enter glass fiber LCP resin ガラス繊維入り LCP 樹脂	—	色:乳白色, UL94V-0 Color: Natural, UL94V-0
②	Actuator アクチュエータ	Enter glass fiber LCP resin ガラス繊維入り LCP 樹脂	—	色:黒, UL94V-0 Color: Black, UL94V-0
③	Contact コンタクト	Phosphor bronze りん青銅	Au plating (Nickel underplating) 金めっき (ニッケル下地めっき)	ニッケルダム有り With Ni dam on the contact
④	Fitting nail (Right side) 補強金具 (右側)	Copper Alloy 銅合金	Tin alloy plating (Nickel underplating) スズ合金めっき (ニッケル下地めっき)	—
⑤	Fitting nail (Left side) 補強金具 (左側)	Copper Alloy 銅合金	Tin alloy plating (Nickel underplating) スズ合金めっき (ニッケル下地めっき)	—

Au	YES	24.5	25.72	27.5	1	1	50	1	1	↑	-50MB1LF
	YES	22.0	23.22	25.0	1	1	45	1	1		-45MB1LF
	YES	19.5	20.72	22.5	1	1	40	1	1		-40ST1LF
	YES	19.5	20.72	22.5	1	1	40	1	1		10042867-40MB1LF
CONTACT PLATING	TOOLING AVAILABLE	DIM "C"	DIM "B"	DIM "A"	⑤ FITTING NAIL(L) QTY	④ FITTING NAIL(R) QTY	③ CONTACT QTY	② ACTUATOR QTY	① HOUSING QTY		PRODUCT NO.

mat'l. code		surface		tolerance		projection		product family	
ltr	ecn no	dr	date	ISO 1302	ISO 406	ISO 1101	mm	59GF FLEX 0.5	
A	J04-0452	N.S	12/8/'04	tolerances unless otherwise specified	0.X	±0.3	mm	title	
J	J07-0530	N.S	2007-10-25	angles	0.XX	±0.3	scale 10:1	ASSEMBLY	
K	J08-0342	N.S	2008-8-21	linear	0.XXX	±0.3		0.5mm PITCH CONNECTOR FOR FPC VLH Series	
L	J08-0061	N.S	2010-4-6	dr	N.SASAME 2016-04-07		dwg no		
M	J10-0304	N.S	2010-10-29	chr	N.SASAME 2016-04-07		sheet 2 of 3		
N	ELX-J-23790	N.S	2016-04-07	appd	H.SUZUKI 2016-04-07		size		
					Y.KAMEDA 2016-04-07		A3		
sheet index	revision sheet						type		
							Product Customer Drawing		
							Rev.		
							N		



© 2016 AFCI

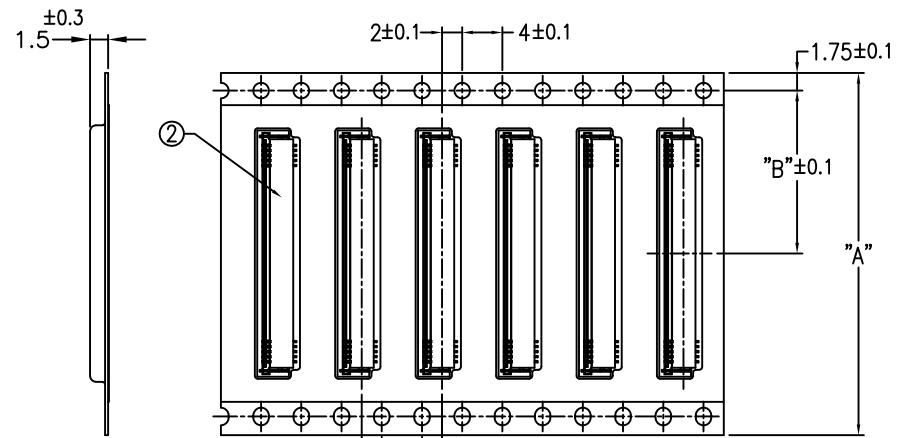
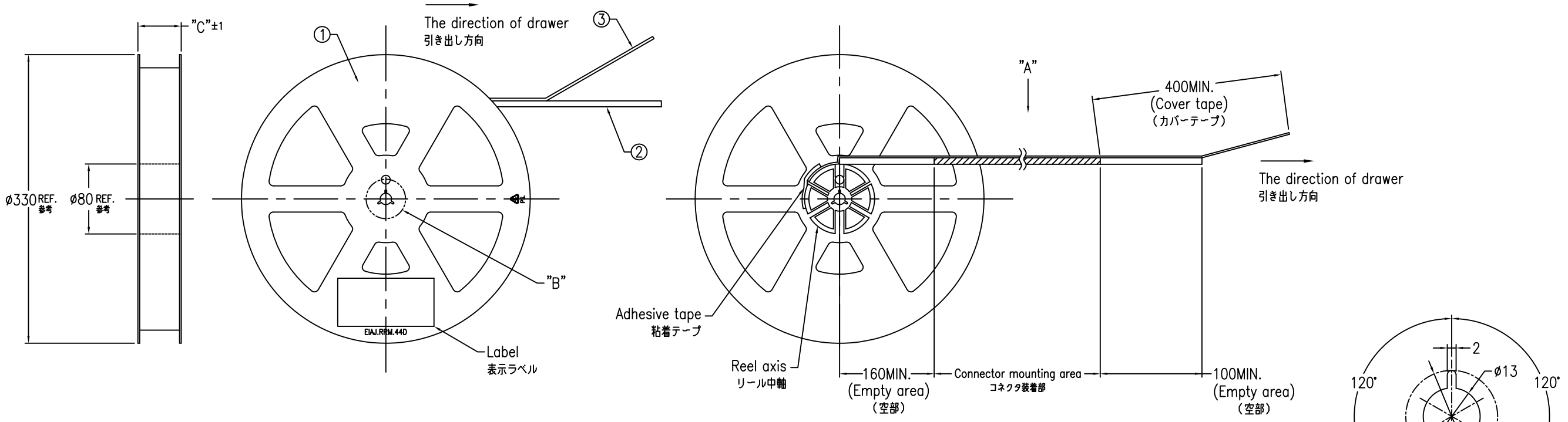


PRODUCT NO.	DIM "A"	DIM "B"	DIM "C"	DIM "D"	CONTACT PLATING	CONNECTOR QTY. (Emboss PITCH)	TOOLING AVAILABLE
10042867-40MB10ELF	44	20.2	49.5	8	Au	4500 (8mm)	YES
10042867-40STOEHLF							YES
10042867-45MB10ELF							YES
10042867-50MB10ELF						YES	
10042867-45MB1E9LF						500 (8mm)	YES
10042867-50MB1E9LF						500 (8mm)	YES
10042867-50MB15ELF	44	20.2	49.5	12	Au	3000 (12mm)	YES

NOTE
 4. THIS ARTICLE CARRIES OUT THE EMBOSS TAPE PACKAGE OF THE 0.5mm PITCH FPC CONNECTOR.
 5. THE SHAPE AND DIMENSION OF THIS ARTICLE ARE BASED ON JIS C 0806. (TAPING OF ELECTRONIC PARTS (SURFACE MOUNTED DEVICE))
 6. PEELING STRENGTH MUST BE 0.1N TO 1.3N AT THE SPEED FOR 300mm/MINUTE.

注記
 4. 本品は 0.5mm ピッチ FPC 用コネクタをエンボステープ梱包したものである。
 5. 本品の形状及び寸法規定は JIS C 0806 (電子部品のテーピング (表面実装部品)) に準拠する。
 6. カバーテープの剥離強度は0.1~1.3Nとする。(毎分 300mm の速度)

No.	Part name 部品名	Material 材質	QTY.	Note 備考
①	The reel for packaging 梱包用リール	Polystyrene ポリスチレン	1	Color : White, Electrification prevention processing 色 : 白、帯電防止処理品
②	Emboss tape エンボステープ	PET	1	Electrification prevention processing 帯電防止処理品
③	Cover tape カバーテープ	Polyester ポリエステル	1	
④	Connector コネクタ	See sheet 1	4500	APPLIED FOR 8mm PITCH EMBOS TAPE
			500	
			3000	APPLIED FOR 12mm PITCH EMBOS TAPE



VIEW "A" (N.S.) 矢視 "A" (N.S.)

<P/N composition> <P/N 構成>

10042867-45MB10ELF

- Lead free 鉛フリー品
- Packaging form (OE : 8mm emboss pitch, Plastic reel・Embossing tape package)
梱包形態 (OE : 8mmエンボス穴ピッチ、プラスチックリール・エンボステープ梱包)
- Packaging form (E9 : 500pcs with 8mm emboss pitch, Plastic reel・Embossing tape package)
梱包形態 (E9 : 500個入り8mmエンボス穴ピッチ、プラスチックリール・エンボステープ梱包)
- Refer to connector drawing (Sheet 2).
コネクタ図面参照 (Sheet 2)

EMBOSS PACKAGE

mat'l. code		surface		tolerance		projection		product family	
---		ISO 1302		ISO 406		mm		59GF FLEX 0.5	
ltr		ecn no		dr		date		title	
A		J04-0452		N.S.		12/8/'04		ASSEMBLY	
J		J07-0530		N.S.		2007-10-25		0.5mm PITCH CONNECTOR FOR FPC	
K		J08-0342		N.S.		2008-8-21		VLH Series	
L		J08-0061		N.S.		2010-4-6		dwg no	
M		J10-0304		N.S.		2010-10-29		sheet 3 of 3	
N		ELX-J-23790		N.S.		2016-04-07		size	
sheet		revision						A3	
index		sheet						10042867	
								type	
								Product Customer Drawing	
								Rev.	
								N	