



Chipsmall Limited consists of a professional team with an average of over 10 year of expertise in the distribution of electronic components. Based in Hongkong, we have already established firm and mutual-benefit business relationships with customers from,Europe,America and south Asia,supplying obsolete and hard-to-find components to meet their specific needs.

With the principle of “Quality Parts,Customers Priority,Honest Operation,and Considerate Service”,our business mainly focus on the distribution of electronic components. Line cards we deal with include Microchip,ALPS,ROHM,Xilinx,Pulse,ON,Everlight and Freescale. Main products comprise IC,Modules,Potentiometer,IC Socket,Relay,Connector.Our parts cover such applications as commercial,industrial, and automotives areas.

We are looking forward to setting up business relationship with you and hope to provide you with the best service and solution. Let us make a better world for our industry!



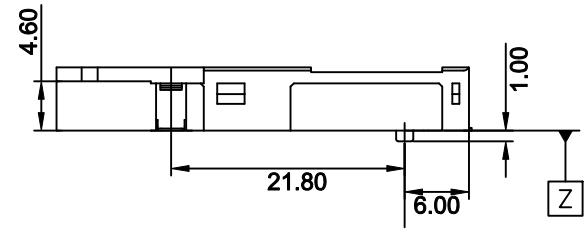
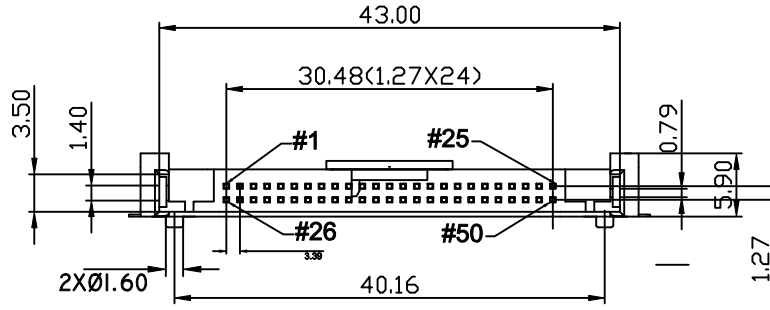
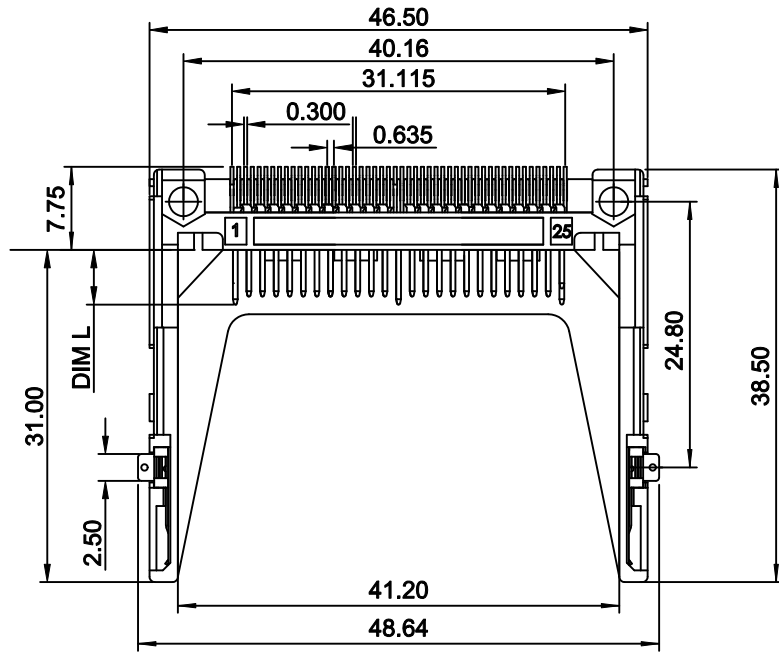
Contact us

Tel: +86-755-8981 8866 Fax: +86-755-8427 6832

Email & Skype: info@chipsmall.com Web: www.chipsmall.com

Address: A1208, Overseas Decoration Building, #122 Zhenhua RD., Futian, Shenzhen, China





PIN NUMBER	DIM. L
25,26	3.50
ALL OTHER PINS	4.25
1, 13, 38, 50	5.00

NOTES :

- MATERIAL :
 INSULATOR : HIGH TEMPERATURE THERMOPLASTIC
 FLAMMABILITY RATING: UL94V-0
 COLOR: IVORY
 CONTACT : COPPER ALLOY
 GROUND MOUNTING EAR: COPPER ALLOY
- PLATING :
 CONTACT AREA: SELECTIVE GOLD (SEE P/N DESCRIPTION)
 UNDER PLATING: 50u" NICKEL OVERALL
 SOLDER TAIL AREA: 100u" TIN/LEAD OR 100u" MATTE TIN
 GROUND MOUNT EAR AREA: 100u" TIN/LEAD OR 100u" MATTE TIN
- SOLDERTAILS TO BE WITHIN 0.05 UPWARD
 AND 0.2 DOWNWARD FROM Z-DATUM PLACE,
 AND COPLANARITY OF SOLDER TAILS TO BE
 WITHIN 0.10mm.
- PRODUCT SPEC: GS-12-240.
- PACKAGING SPEC: GS-14-980.

Tous droits strictement reserves. Reproduction ou communication a des tiers interdite sous quelque forme que ce soit sans autorisation ecrite du propriétaire. Propriete de c FCI. Droits de reproduction FCI.

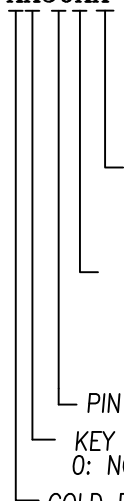


All rights strictly reserved. Reproduction or issue to third parties in any form whatever is not permitted without written authority from the proprietor. Property of FCI. Copyright FCI.

mat'l. code				tolerances unless otherwise specified		CUSTOMER COPY	 www.fciconnect.com
ltr	ecn no	dr	date	linear	.X ± 0.30	projection	
A	T04-0429	A.C	12/16/04		.XX ± 0.20		CF HEADER TYPE II NORMAL S/O=0.0MM
B	T05-0256	A.C	11/09/05		.XXX ± 0.10		
C	T06-0172	A.C	10/09/06	angles	0° ±2°	MM	product family CF
D	T09-1097	S.LIN	07/09/09	dr	ALLEN CHANG 12/16/04		code
E	T09-1113	S.LIN	09/03/09	enr	ALLEN CHANG 12/16/04		size
F	T09-1144	S.LIN	11/27/09	chr	STERLING LIN 12/16/04	scale	sheet
				appd	H.C LIOU 12/16/04	NA	1 of 2
sheet index	revision sheet	F 1	F 2				

6.Part Number Description:

P/N: **10044078-XX50XX**



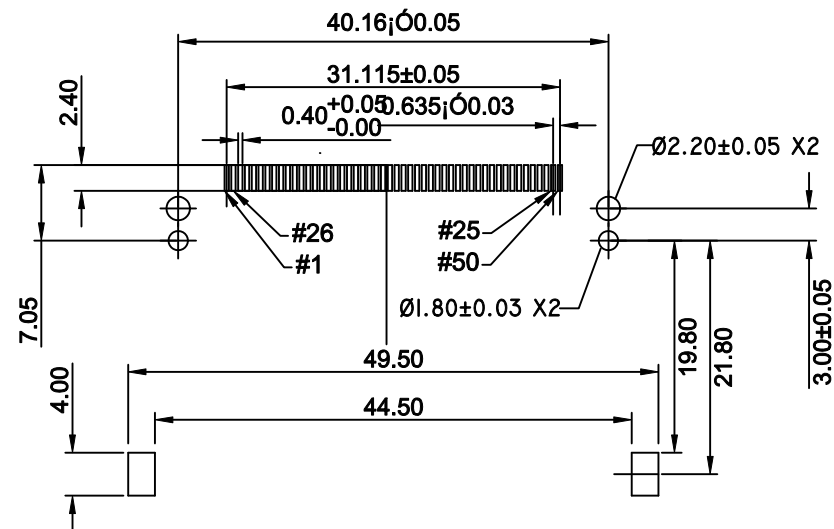
PLATING ON SOLDER TAIL AREA:
 BLANK: 100u" TIN/LEAD.
 LF: 100u" MATTE TIN.

BLANK: WITHOUT CAP+TRAY PACKING
 2: WITH CAP+TRAY PACKING
 3: WITH CAP+T&R PACKING

PIN COUNT.

KEY TYPE:
 0: NORMAL TYPE

GOLD PLATING:
 B: 10u" GOLD PLATE
 E: 30u" GOLD PLATE



General Tolerance +/-0.05mm

Recommended PCB Pattern

- 7. THE HOUSING WILL WITHSTAND EXPOSURE TO 260°C PEAK TEMPERATURE FOR 10 SECONDS IN A CONVECTION, IR OR VAPER PHASE REFLOW OVEN.
- 8. THIS PRODUCT (10053867-XXXXLX) MEETS THE EUROPEAN UNION DIRECTIVE AS DESCRIBED IN GS-22-008.

Tous droits strictement reserves. Reproduction ou communication a des tiers interdite sous quelque forme que ce soit sans autorisation ecrite du proprietaire. Propriete de c FCI. Droits de reproduction FCI.



All rights strictly reserved. Reproduction or issue to third parties in any form whatever is not permitted without written authority from the proprietor. Property of FCI. Copyright FCI.

mat'l. code				tolerances unless otherwise specified			CUSTOMER COPY		FCI www.fciconnect.com	
ltr	ecn no	dr	date	linear	.X ± 0.30		projection	title		
F	-	-	-		.XX ± 0.20			CF HEATER TYPE II NORMAL S/O=0.0MM		
					.XXX ± 0.10					
				angles	0° ± 2°		product family		code	
				dr	ALLEN CHANG	12/16/04	MM	CF		TWN
				enr	ALLEN CHANG	12/16/04		size dwg no		sheet
				chr	STERLING LIN	12/16/04	scale	A4		2 of 2
				appd	H.C LIU	12/16/04		NA		10044078
sheet index	revision sheet									