



Chipsmall Limited consists of a professional team with an average of over 10 year of expertise in the distribution of electronic components. Based in Hongkong, we have already established firm and mutual-benefit business relationships with customers from,Europe,America and south Asia,supplying obsolete and hard-to-find components to meet their specific needs.

With the principle of "Quality Parts,Customers Priority,Honest Operation,and Considerate Service",our business mainly focus on the distribution of electronic components. Line cards we deal with include Microchip,ALPS,ROHM,Xilinx,Pulse,ON,Everlight and Freescale. Main products comprise IC,Modules,Potentiometer,IC Socket,Relay,Connector.Our parts cover such applications as commercial,industrial, and automotives areas.

We are looking forward to setting up business relationship with you and hope to provide you with the best service and solution. Let us make a better world for our industry!



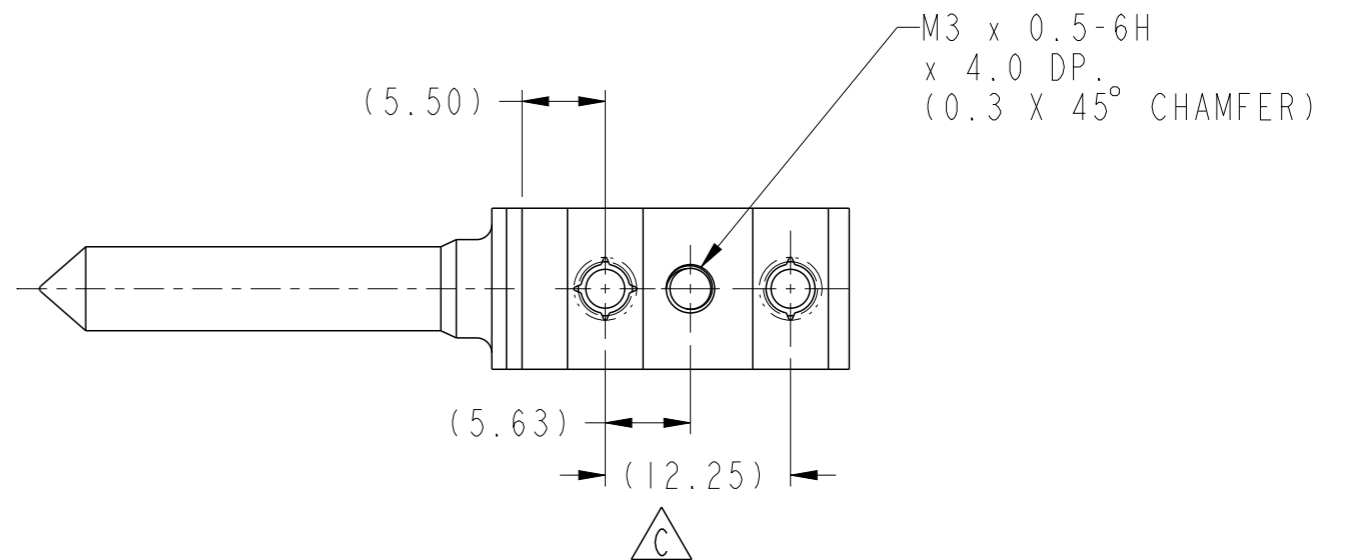
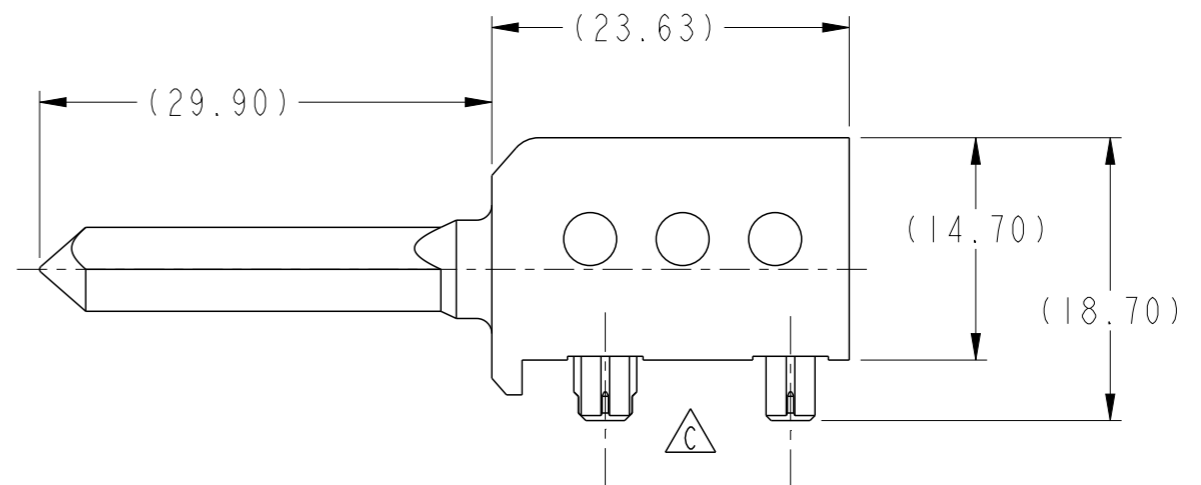
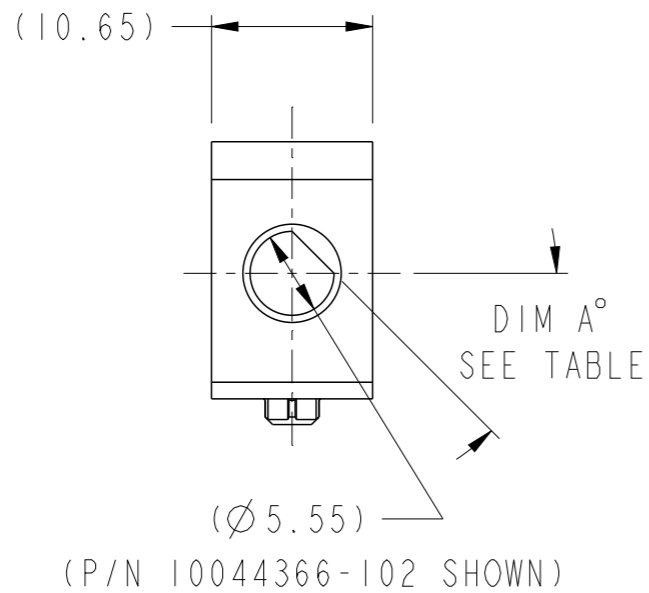
## Contact us

Tel: +86-755-8981 8866 Fax: +86-755-8427 6832

Email & Skype: info@chipsmall.com Web: www.chipsmall.com

Address: A1208, Overseas Decoration Building, #122 Zhenhua RD., Futian, Shenzhen, China




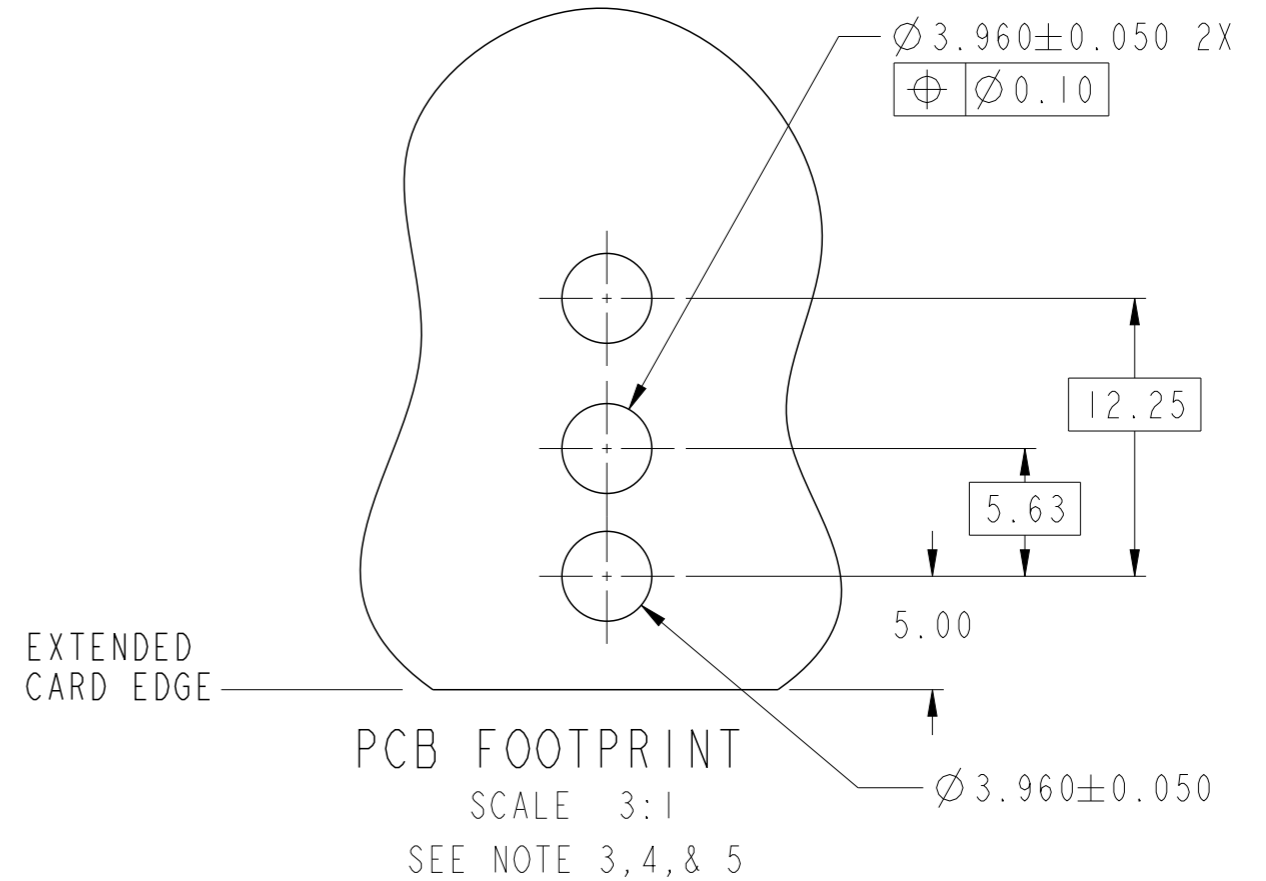


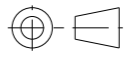

spec ref		dr	Chen-Hong Tan	2005/08/17	projection	mm	size	A3	scale	2:1		
tolerance std		eng	N Anandakumar	2015/01/09			ecn no		ELX-S-19829-1			
ASME Y14.5		chr	-	-			rel level		Released			
-		TOLERANCES UNLESS OTHERWISE SPECIFIED		appr	Chen-Hong Tan	2015/01/14	product family		HG. SPD. BACKPANEL			
surface	3.2	linear	0.X	±0.3		10.8mm R/A GUIDE PIN 4/5 PAIR	dwg no 10044366	rev C	-			
			0.XX	±0.10					Product - Customer Drw		sheet 1 of 2	
			0.XXX	±0.050					-		-	
		angular	0°	±2°	www.fci.com		cat. no.		-			

PART NUMBER	DIM A°
10044366-101LF	0°
10044366-102LF	45°
10044366-103LF	90°
10044366-104LF	135°
10044366-105LF	180°
10044366-106LF	225°
10044366-107LF	270°
10044366-108LF	315°

NOTES:

- ① MATERIAL: ZINC ALLOY.
- ② FINISH: ZINC YELLOW CHROMATE.
- ③ PRELIMINARY APPLICATION SPECIFICATION: GS-20-045.
- ④ REFER TO CUSTOMER DRAWING 10035911 FOR INFORMATION REGARDING PCB LAYOUT OF POWER AND GUIDE MODULES RELATIVE TO SIGNAL MODULES.
- ⑤ RIGHT ANGLE PIN MODULE HAS THE SAME PCB FOOTPRINT AS THE RIGHT ANGLE GUIDE SOCKET.
- 6 THIS PRODUCT MEETS EUROPEAN UNION DIRECTIVES AND OTHER COUNTRY REGULATIONS AS DESCRIBED IN GS-22-008.
- 7 PACKAGING MEETS GS-14-920 LEAD FREE LABELING SPECIFICATION.
- 8 A  SYMBOL WILL BE NEXT TO ANY DIMENSION, VIEW OR NOTE WHICH HAS BEEN MODIFIED WITH THE CURRENT DRAWING REVISION.



spec ref		dr	Chen-Hong Tan	2005/08/17	projection	mm	size	A3	scale	1:1	
tolerance std		eng	N Anandakumar	2015/01/09		← →	ecn no		ELX-S-19829-1		
ASME Y14.5		chr	-	-			rel level		Released		
surface		TOLERANCES UNLESS OTHERWISE SPECIFIED		appr	Chen-Hong Tan	2015/01/14	product family		HG. SPD. BACKPANEL		
3.2	linear	0.X	±0.3			10.8mm R/A GUIDE PIN		dwg no		10044366	
		0.XX	±0.10								
		0.XXX	±0.050								
-	angular	0°	±2°	www.fci.com		cat. no.	-	Product - Customer Drw		sheet 2 of 2	



Copyright FCI.