



Chipsmall Limited consists of a professional team with an average of over 10 year of expertise in the distribution of electronic components. Based in Hongkong, we have already established firm and mutual-benefit business relationships with customers from,Europe,America and south Asia,supplying obsolete and hard-to-find components to meet their specific needs.

With the principle of "Quality Parts,Customers Priority,Honest Operation,and Considerate Service",our business mainly focus on the distribution of electronic components. Line cards we deal with include Microchip,ALPS,ROHM,Xilinx,Pulse,ON,Everlight and Freescale. Main products comprise IC,Modules,Potentiometer,IC Socket,Relay,Connector.Our parts cover such applications as commercial,industrial, and automotives areas.

We are looking forward to setting up business relationship with you and hope to provide you with the best service and solution. Let us make a better world for our industry!



Contact us

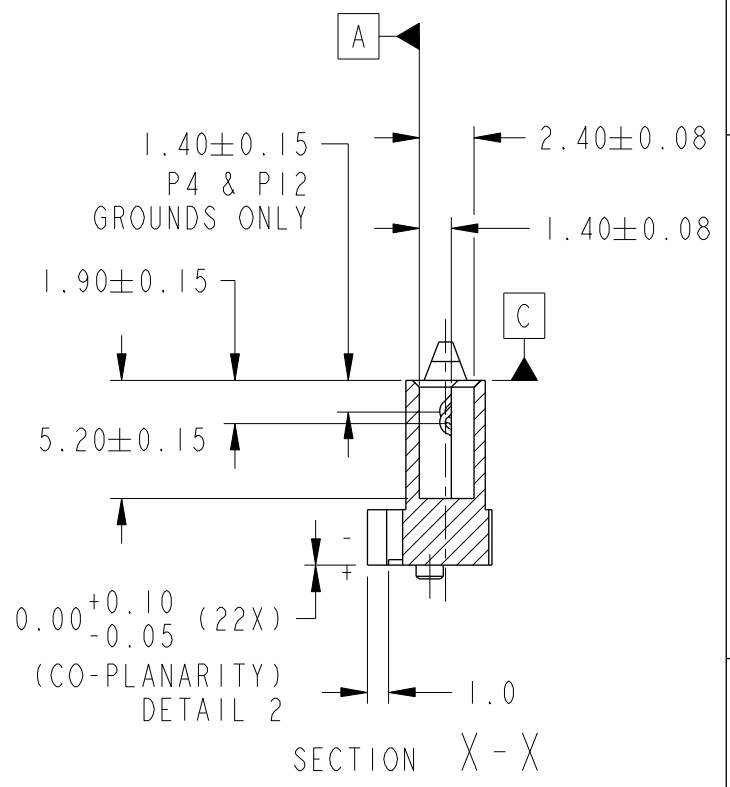
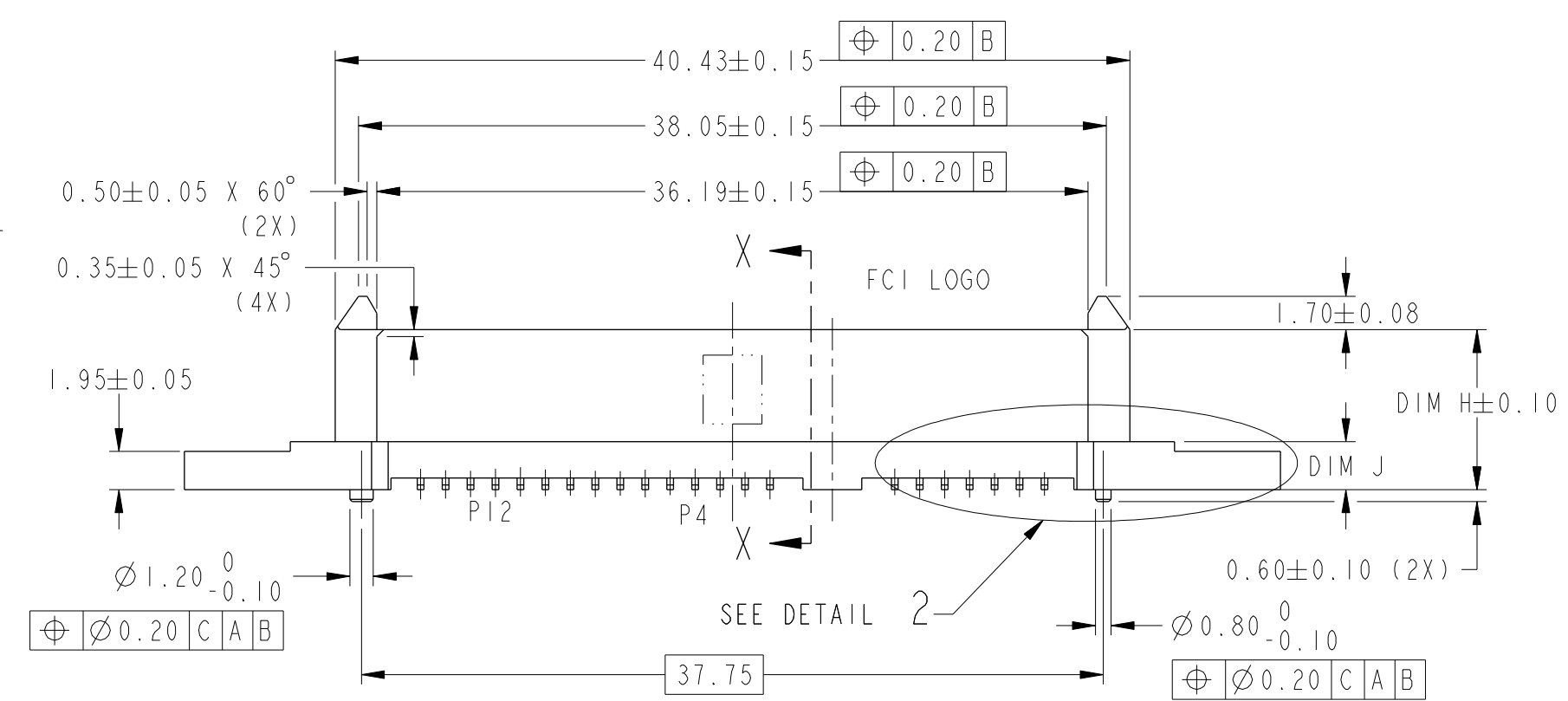
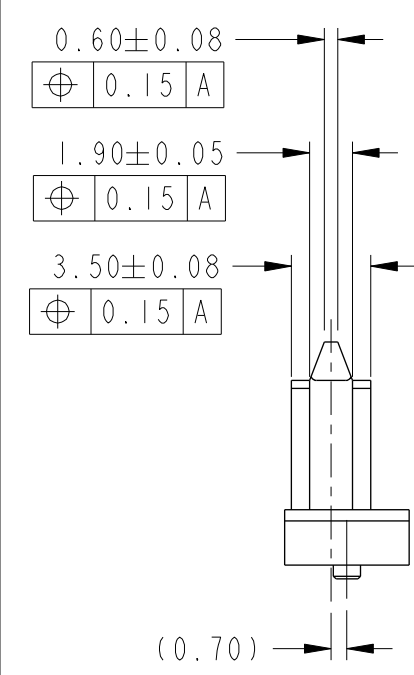
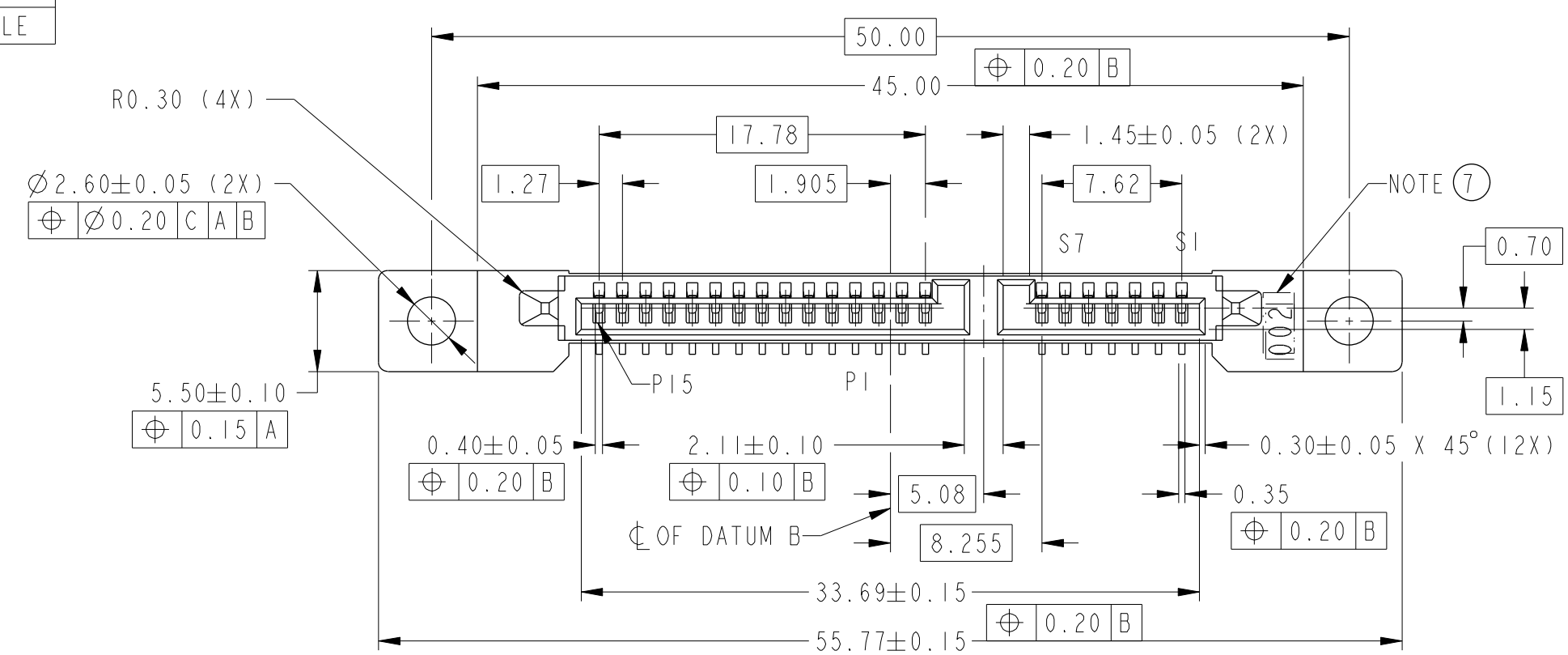
Tel: +86-755-8981 8866 Fax: +86-755-8427 6832

Email & Skype: info@chipsmall.com Web: www.chipsmall.com

Address: A1208, Overseas Decoration Building, #122 Zhenhua RD., Futian, Shenzhen, China



PRODUCT NO
SEE TABLE



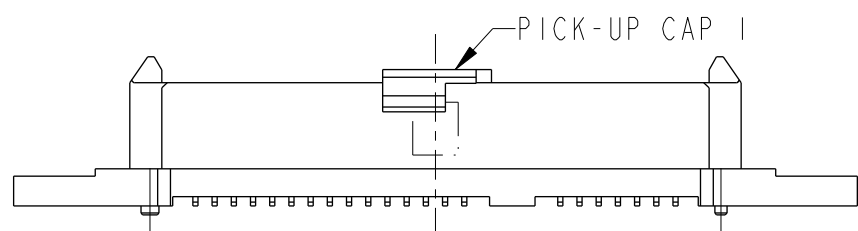
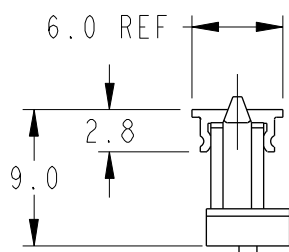
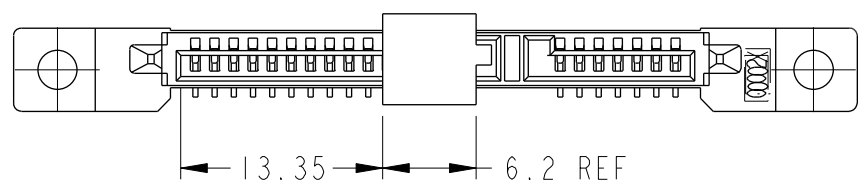
Amphenol
FCi

© 2016 AFCI

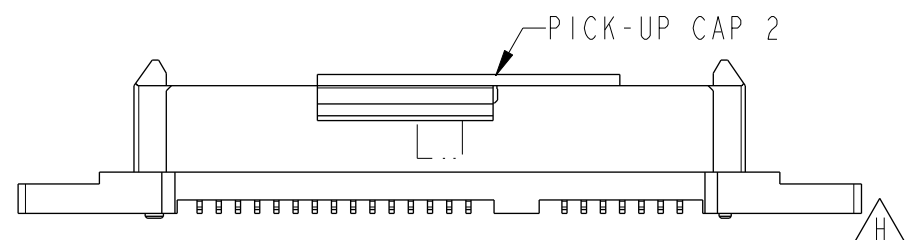
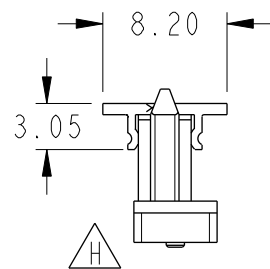
spec ref	-	dr	Louis Ng	2011/10/03	projection	MM	size	A3	scale	3:1		
tolerance std	ISO 406 ISO 1101	eng	Noorhazlinda	2017/03/16			ecn no	ELX-M-25503-1	rel level	Released		
surface	linear	chr	-	appr			Koon-Poh Tay	2017/04/03	product family	S-ATA	rel level	Released
	angular	0°	±3°	Amphenol FCi		title	S-ATA COMB RECEP. VERTICAL SMT TYPE ASSY		dwg no	10045103	rev	H
ISO 1302		cat. no.	-	Product - Customer Drw		sheet 1 of 3						

PRODUCT NO	DIM H	DIM J	PICK-UP CAP	PACKAGING
10045103-001LF	8.15	2.45	NO	TRAY
10045103-001CLF			YES	TRAY
10045103-001C-TRLF			YES	TAPE & REEL
10045103-002LF	8.45	2.75	NO	TRAY
10045103-002CLF			YES	TRAY
10045103-002C-TRLF			YES	TAPE & REEL
10045103-002ILF			YES	TRAY
10045103-0021-TRLF	8.45	2.75	YES	TAPE & REEL

10045103-001/002C

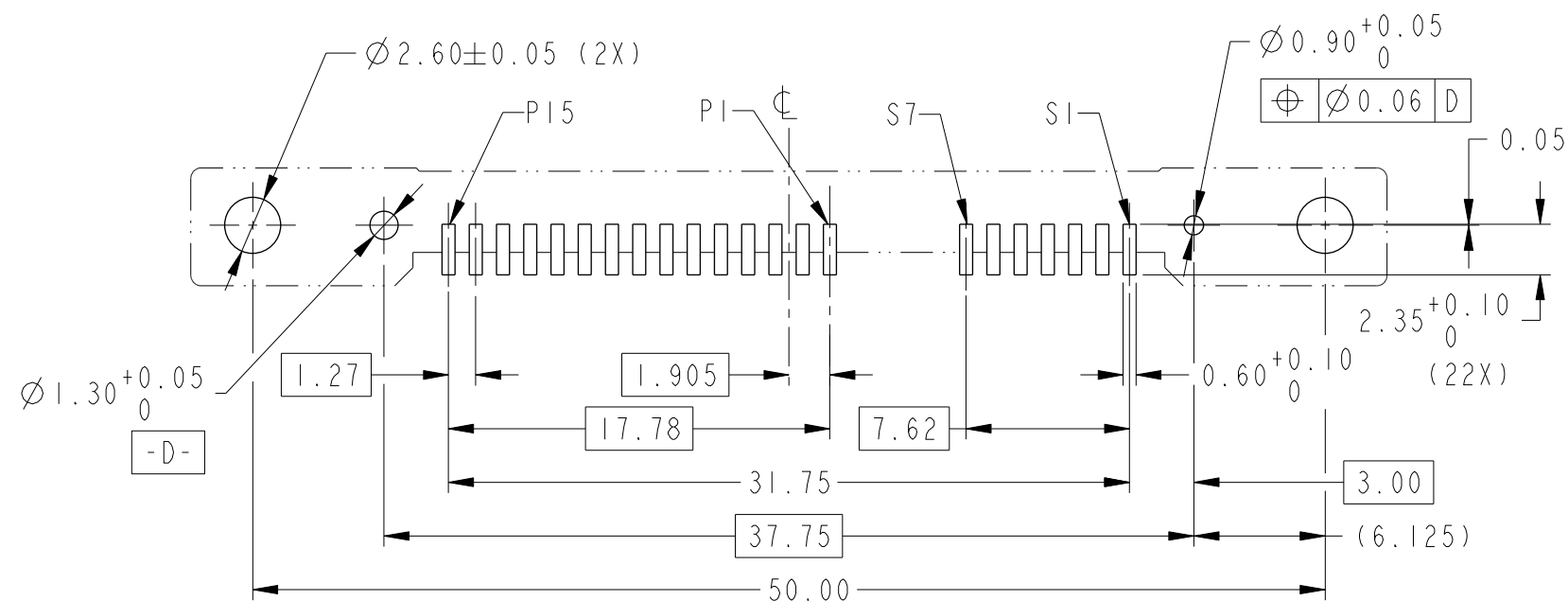


10045103-0021

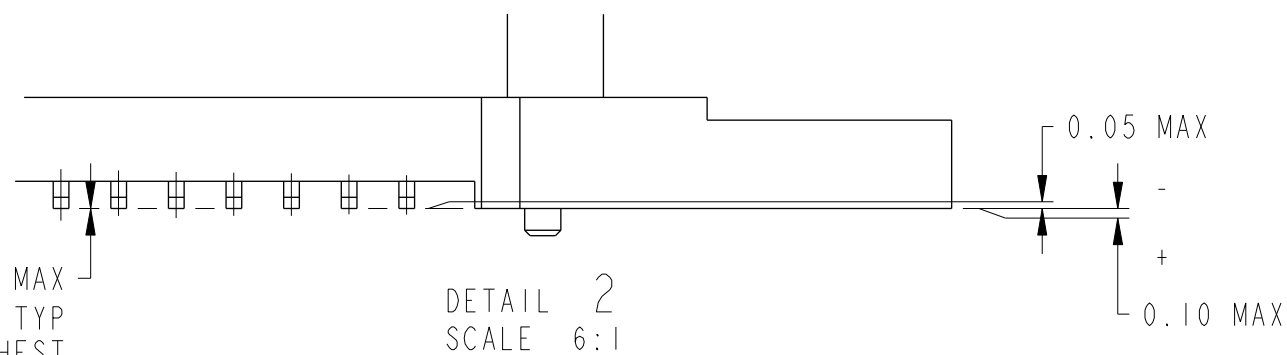


PART WITH PICK-UP CAP, SEE NOTE 8

SCALE 2:1



RECOMMENDED PCB LAYOUT



DETAIL 2
SCALE 6:1

Amphenol
FCi

© 2016 AFCI

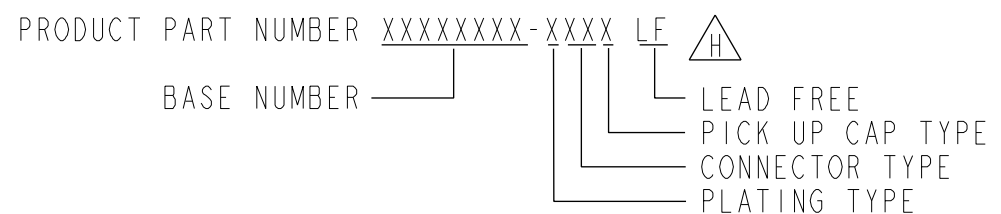
spec ref	-	dr	Louis Ng	2011/10/03	projection	MM	size	A3	scale	3:1		
tolerance std	ISO 406 ISO 1101	eng	Noorhazlinda	2017/03/16			ecn no	ELX-M-25503-1	rel level	Released		
surface	linear	chr	-	appr			Koon-Poh Tay	2017/04/03	product family	S-ATA	rel level	Released
	angular	0°	±3°	Amphenol FCi		title	S-ATA COMB RECEP. VERTICAL SMT TYPE ASSY		dwg no	10045103	rev	H
				cat. no.	-	Product - Customer Drw		sheet 2 of 3				

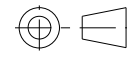
NOTES:

- 1. THIS PRODUCT MEETS THE SATA SPEC REV. 1.0a
- 2. MATERIAL :
 - 1) HOUSING : HIGH TEMP THERMOPLASTIC, UL 94V-0
 - COLOR : BLACK
 - 2) TERMINAL : COPPER ALLOY
 - 3) HOLD DOWN : COPPER ALLOY
- 3. FINISH :
 - 1) TERMINAL : 30µ" Au PLATING (CONTACT POINT) OVER 50µ" NICKEL
 - 2) SOLDER TAIL : 100µ" MIN Sn OVER 50µ" NICKEL
 - 3) HOLD DOWN : 100µ" MIN Sn OVER 50µ" NICKEL
- 4. THE HOUSING WILL WITHSTAND EXPOSURE TO 260° C PEAK TEMPERATURE FOR 10 SECONDS IN A CONVECTION, INFRA-RED OR VAPOR PHASE REFLOW OVEN.
- ⑤ THIS PRODUCT MEETS EUROPEAN UNION DIRECTIVES AND OTHER COUNTRY REGULATIONS AS DESCRIBED IN GS-22-008.
- ⑥ THE STD PACKAGING IS IN TRAY UNLESS OTHERWISE SPECIFIED.
- ⑦ IDENTIFICATION NUMBER FOR CONNECTOR HOUSING.
- ⚠ ⑧ PART WITH PICK-UP CAP, P/N XXXXXXXX-XXXX LF
- ⚠ ⑨ FOR TAPE & REEL PACKAGING, SUFFIX "-TR" ADDED. P/N XXXXXXXX-XXXX-TR LF
- ⑩ A ⚠ SYMBOL WILL BE NEXT TO ANY DIMENSION, VIEW, OR NOTE WHICH HAS BEEN MODIFIED WITH THE CURRENT DRAWING REVISION.

Amphenol FCI

© 2016 AFCI



spec ref -		dr Louis Ng 2011/10/03		projection	MM	size A3	scale 2:1		
tolerance std ISO 406 ISO 1101		TOLERANCES UNLESS OTHERWISE SPECIFIED				ecn no ELX-M-25503-1			
surface -		linear				product family S-ATA		rel level Released	
ISO 1302		0.X	±-	Amphenol FCI title S-ATA COMB RECEP. VERTICAL SMT TYPE ASSY		dwg no 10045103			
		0.XX	±0.20			cat. no. -		Product - Customer Drw	
		0.XXX	±-			sheet 3 of 3		rev H	
		angular	0°						
			±3°						