



Chipsmall Limited consists of a professional team with an average of over 10 year of expertise in the distribution of electronic components. Based in Hongkong, we have already established firm and mutual-benefit business relationships with customers from,Europe,America and south Asia,supplying obsolete and hard-to-find components to meet their specific needs.

With the principle of “Quality Parts,Customers Priority,Honest Operation,and Considerate Service”,our business mainly focus on the distribution of electronic components. Line cards we deal with include Microchip,ALPS,ROHM,Xilinx,Pulse,ON,Everlight and Freescale. Main products comprise IC,Modules,Potentiometer,IC Socket,Relay,Connector.Our parts cover such applications as commercial,industrial, and automotives areas.

We are looking forward to setting up business relationship with you and hope to provide you with the best service and solution. Let us make a better world for our industry!



Contact us

Tel: +86-755-8981 8866 Fax: +86-755-8427 6832

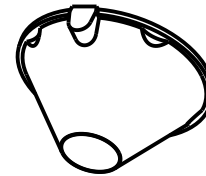
Email & Skype: info@chipsmall.com Web: www.chipsmall.com

Address: A1208, Overseas Decoration Building, #122 Zhenhua RD., Futian, Shenzhen, China

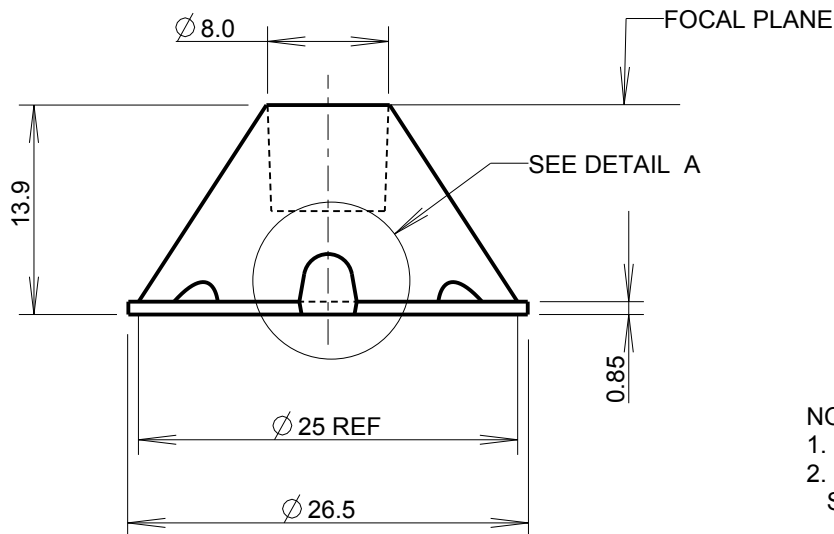
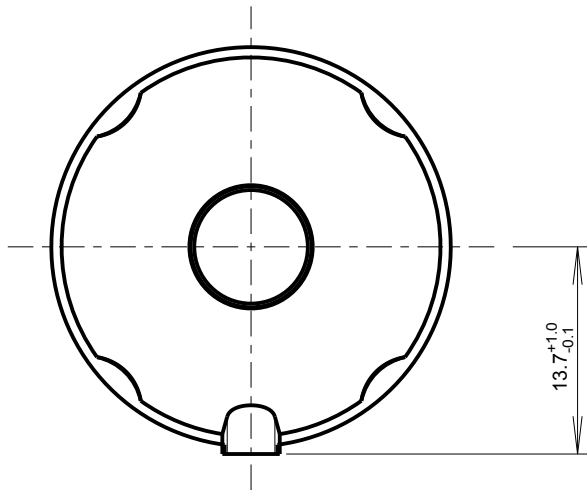


| ISS. | DATE | E.C.N. | DESCRIPTION |
|------|------------|------------|--|
| 1 | 02-May-12 | | FIRST ISSUE |
| 2 | 11-Feb-04 | 2/4/1133 | EDGE DRAFT INCREASED TO 3° |
| 3 | 15-Jan-07 | 1/07/1199 | SCALLOP SIZE INCREASED TO R3.75 |
| 4 | 19-May-11 | 05/11/1301 | TIR CURVE DEFINITION REPLACED WITH EQUATION |
| 4A | 03-July-12 | 07/12/1339 | REFINE $\varnothing 25$ DIM. TO REF APPLY NAMING CONVENTION |

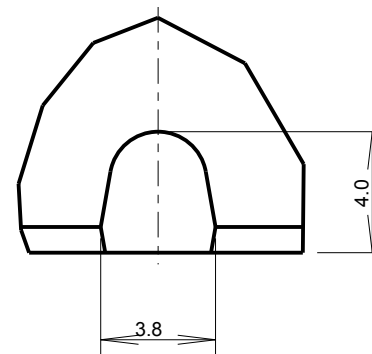
CUSTOMER DRAWING



SCALE 1:1
GENERAL VIEW



DETAIL A
SCALE 4:1



- NOTES:
 1. MATERIAL: POLYCARBONATE
 2. SIMPLIFIED GEOMETRY SHOWN. NOT SUITABLE FOR OPTICAL RAYTRACE

CARCLO TECHNICAL PLASTICS (SLOUGH)
 111 BUCKINGHAM AVE, SLOUGH
 SL1 4PF, ENGLAND

TEL: +44 1753 575011 FAX: +44 1753 811359
 e-mail: design@carclo-optics.com}

GENERAL TOLERANCES (UNLESS STATED)

| LINEAR | ANGULAR |
|---------------|---------------|
| X +/- 0.25 | X +/- 1° |
| X.X +/- 0.1 | X.X +/- 0.5° |
| X.XX +/- 0.05 | X.XX +/- 0.1° |

CUSTOMER

CARCLO

TITLE

$\varnothing 26.5$ mm PLAIN TIGHT TIR OPTIC

DRAWN

DATE

AJD

03-Feb-04

CHK'D

DATE

ADC

24-Apr-12

APP'D

DATE

MB

21-May-12

SCALE

2:1

CARCLO PART No.

10048

SIZE

A4

CARCLO DRG. No.

60367

SHEET

2 OF 2