



Chipsmall Limited consists of a professional team with an average of over 10 year of expertise in the distribution of electronic components. Based in Hongkong, we have already established firm and mutual-benefit business relationships with customers from,Europe,America and south Asia,supplying obsolete and hard-to-find components to meet their specific needs.

With the principle of "Quality Parts,Customers Priority,Honest Operation,and Considerate Service",our business mainly focus on the distribution of electronic components. Line cards we deal with include Microchip,ALPS,ROHM,Xilinx,Pulse,ON,Everlight and Freescale. Main products comprise IC,Modules,Potentiometer,IC Socket,Relay,Connector.Our parts cover such applications as commercial,industrial, and automotives areas.

We are looking forward to setting up business relationship with you and hope to provide you with the best service and solution. Let us make a better world for our industry!



Contact us

Tel: +86-755-8981 8866 Fax: +86-755-8427 6832

Email & Skype: info@chipsmall.com Web: www.chipsmall.com

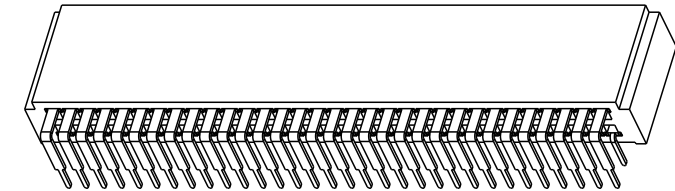
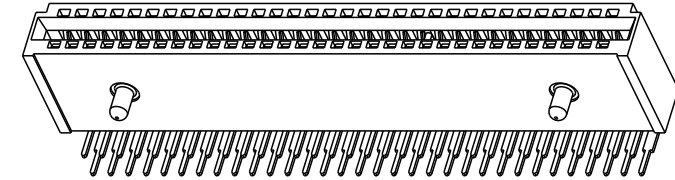
Address: A1208, Overseas Decoration Building, #122 Zhenhua RD., Futian, Shenzhen, China



PRODUCT NO.	POSITION	REMARK	DIM "C"	DIM "D"	DIM "E"
I0053363-100LF	2X32	WITH KEY	54.61	54.46	3.50±0.25
I0053363-200LF	2X32	WITHOUT KEY	N/A	N/A	3.50±0.25
I0053363-201LF	2X32	WITHOUT KEY	N/A	N/A	2.60± $\begin{smallmatrix} 0.10 \\ 0.30 \end{smallmatrix}$

NOTES:

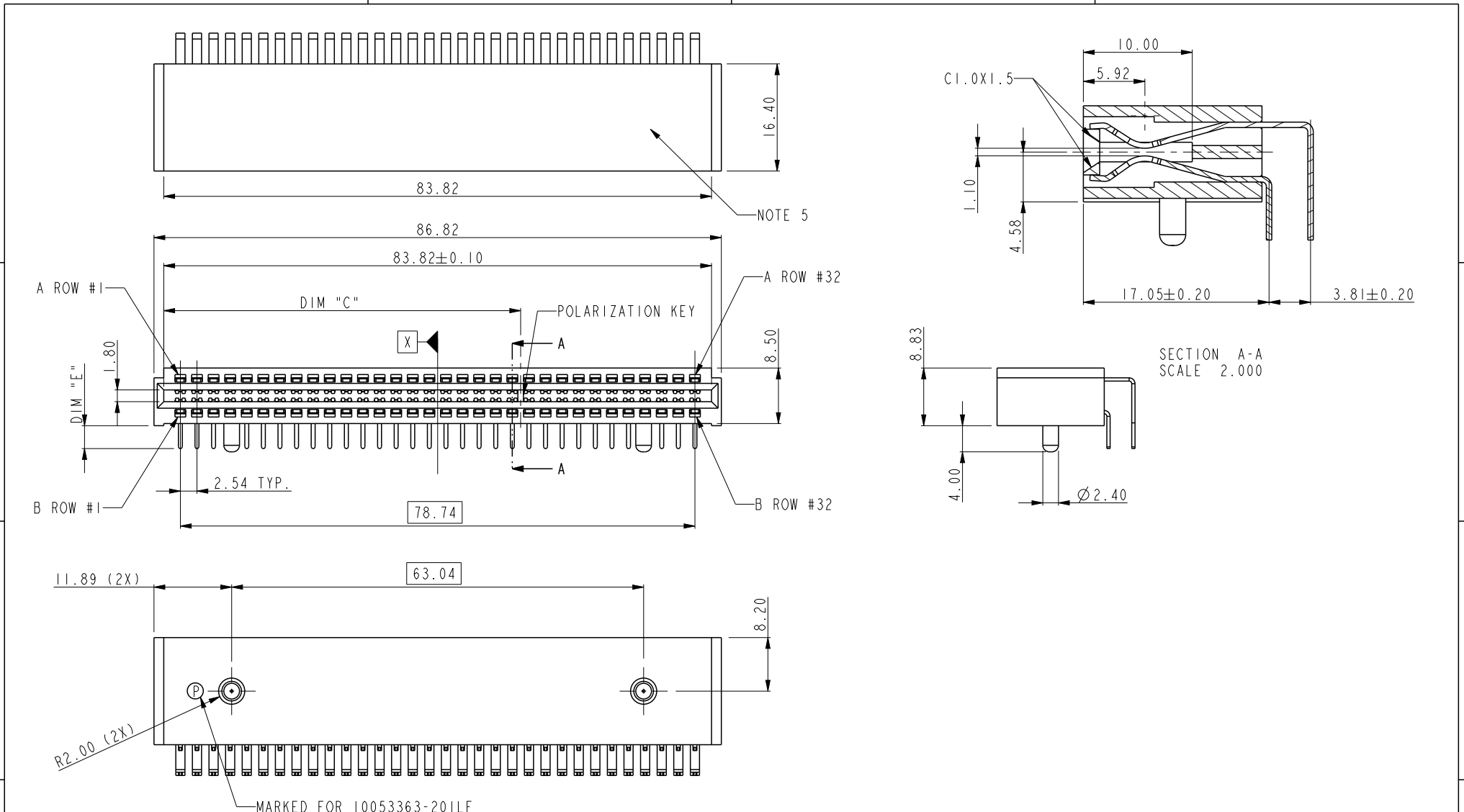
- MATERIALS:
HOUSING: HIGH TEMPERATURE THERMOPLASTIC, UL 94V-0 RATED, BLACK.
TERMINAL: HIGH CONDUCTIVITY COPPER ALLOY.
CONTACT AREA: 30u" GOLD OVER 50u" NICKEL UNDERPLATED.
SOLDER TAIL: 100u" TIN OVER 50u" NICKEL UNDERPLATED.
- PRODUCT PERFORMANCE SPEC. PER GS-12-259.
- PACKAGE SPECIFICATION PER GS-14-937.
- PART NUMBER I0053363-X00LF MEETS EUROPEAN UNION DIRECTIVE AND OTHER COUNTRY REGULATIONS AS DESCRIBED IN GS-22-008. THE HOUSING WILL WITHSTAND EXPOSURE TO 260°C±5°C PEAK TEMPERATURE FOR 10 SECONDS IN A REFLOW SOLDER APPLICATION WITH A CIRCUIT BOARD.
- MANUFACTURER'S NAME, P/N AND DATE CODE TO APPEAR ON THIS SURFACE AS PER GS-24-007.



spec ref *		dr wadmin		2006/08/07		projection		size A4		scale 1.000	
tolerance std		eng Wei-Long Zhang		2012/06/06						ecn no ELX-DG-011840-1	
TOLERANCES UNLESS OTHERWISE SPECIFIED		chr -		-						rel level Released	
surface ✓		appr Pei-Ming Zheng		2012/06/06		product family		dwg no 10053363		rev K	
linear		0.X ±0.30				title 2X32P RIGHT ANGLE POWER CARD EDGE		www.fci.com		cat. no. * Product - Customer Drw	
		0.XX ±0.15									
		0.XXX ±0.08									
angular		0° ±2°								sheet 1 of 3	



Copyright FCI.

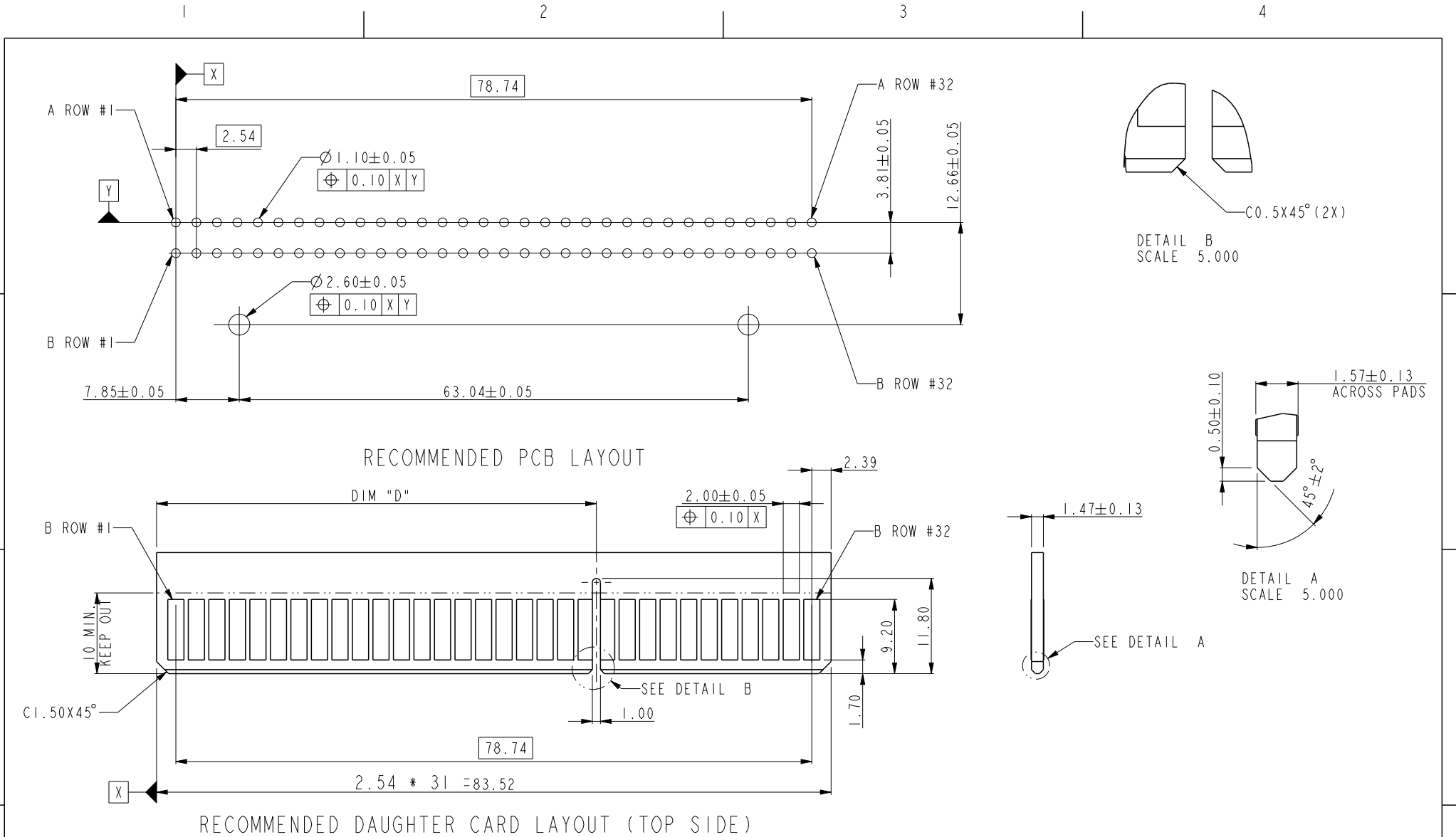


dr	wcadmin	2006/08/07	projection 	MM ←→	size	A4	scale	1.000
eng	Wei-Long Zhang	2012/06/06			ecn no	ELX-DG-011840-1		
chr	-	-			rel level	Released		
appr	Pei-Ming Zheng	2012/06/06	product family		rev	10053363		K
www.fci.com		cat. no.	*	Product - Customer Drw		sheet 2 of 3		

PreE File - REV C - 2009-06-09



Copyright FCI.



dr	wcadmin	2006/08/07	projection 	MM ←→	size	A4	scale	1.000
eng	Wei-Long Zhang	2012/06/06			ecn no	ELX-DG-011840-1		
chr	-	-			rel level	Released		
appr	Pei-Ming Zheng	2012/06/06	product family		rev		K	
www.fci.com		cat. no.	* Product - Customer Drw		10053363	sheet 3 of 3		

ProjE File - REV C - 2009-06-09