



Chipsmall Limited consists of a professional team with an average of over 10 year of expertise in the distribution of electronic components. Based in Hongkong, we have already established firm and mutual-benefit business relationships with customers from,Europe,America and south Asia,supplying obsolete and hard-to-find components to meet their specific needs.

With the principle of “Quality Parts,Customers Priority,Honest Operation,and Considerate Service”,our business mainly focus on the distribution of electronic components. Line cards we deal with include Microchip,ALPS,ROHM,Xilinx,Pulse,ON,Everlight and Freescale. Main products comprise IC,Modules,Potentiometer,IC Socket,Relay,Connector.Our parts cover such applications as commercial,industrial, and automotives areas.

We are looking forward to setting up business relationship with you and hope to provide you with the best service and solution. Let us make a better world for our industry!



## Contact us

Tel: +86-755-8981 8866 Fax: +86-755-8427 6832

Email & Skype: info@chipsmall.com Web: www.chipsmall.com

Address: A1208, Overseas Decoration Building, #122 Zhenhua RD., Futian, Shenzhen, China



1

2

3

4

A

B

C

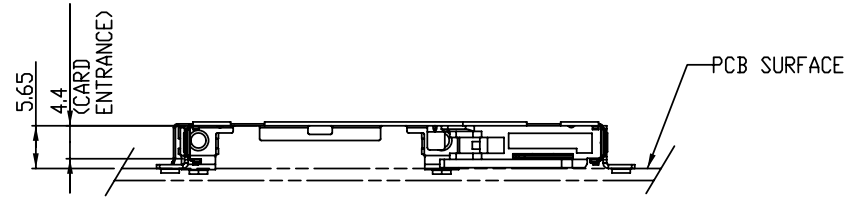
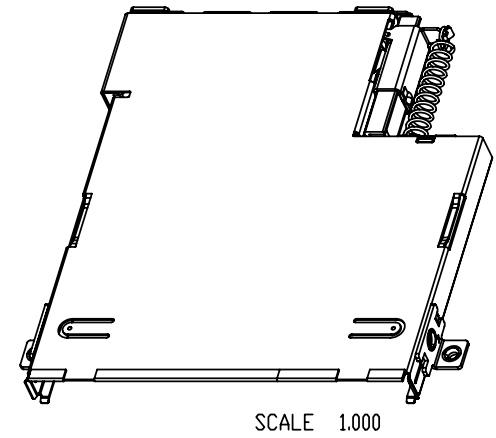
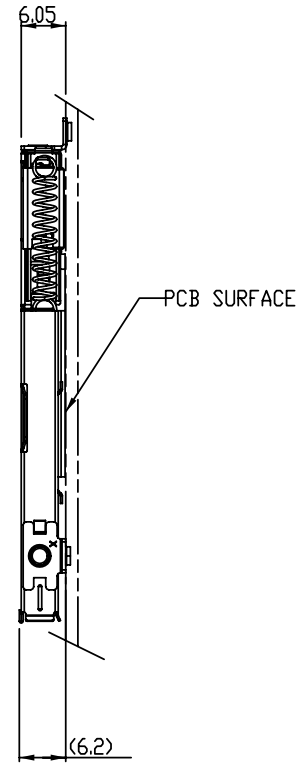
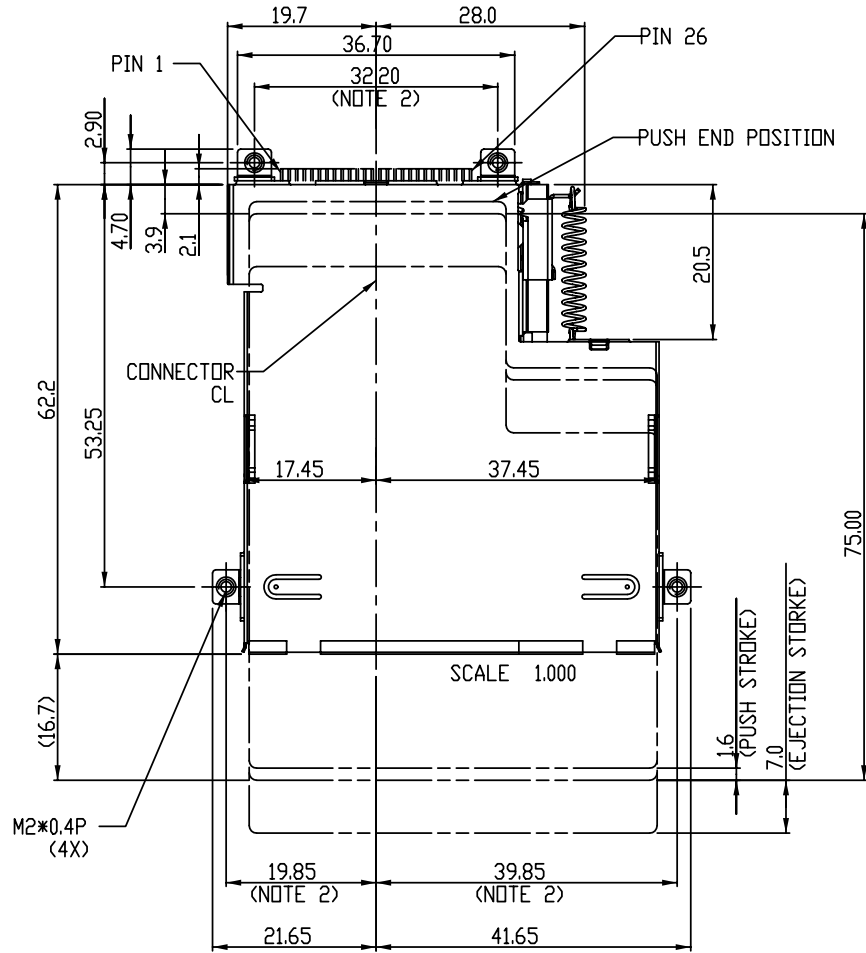
D

A

B

C

D



|                                      |           |
|--------------------------------------|-----------|
| tolerance unless otherwise specified |           |
| linear                               | .X ± .5   |
| angles                               | .XX ± .30 |
| angles                               | 0° ± 2°   |

|                    |   |          |                |                      |            |          |
|--------------------|---|----------|----------------|----------------------|------------|----------|
| www.fciconnect.com |   |          | ✓              | tolerance ASME Y14.5 | projection | MM       |
| Dr                 | KENNY TAI                                       | 02/17/05 | Product family |                      | size       | A4       |
| Eng                | KENNY TAI                                       | 02/17/05 | Spec ref       | *                    | Scale      | 1.000    |
| Chr                | KENNY TAI                                       | 02/17/05 | Material       | SEE NOTES            | ECN        | N10-0413 |
| Appr               | JOSEPH HSIA                                     | 02/17/05 |                |                      |            |          |
| title              | FCJ TOP MOUNT, CARD PUSH EXPRESSCARD HOST MECH. |          | dwg no         | 10053827             |            | Rev. C   |
| catalog no         | 10053827  |          | CUSTOMER       | sheet 1 of 2         |            |          |

| rev | ecn no   | dr  | date       |
|-----|----------|-----|------------|
| A   | T05-0116 | TAI | 05/30/05   |
| B   | T05-0244 | TAI | 11/02/05   |
| C   | N10-0413 | SH  | 2010-12-10 |
| -   | -        | -   | -          |
| -   | -        | -   | -          |
| -   | -        | -   | -          |



Copyright FCI.

REV F - 2006-04-17

1

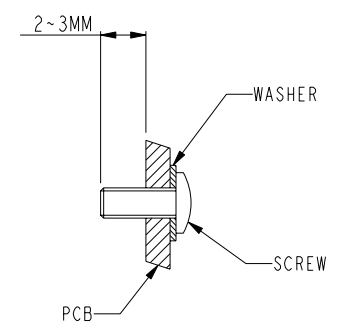
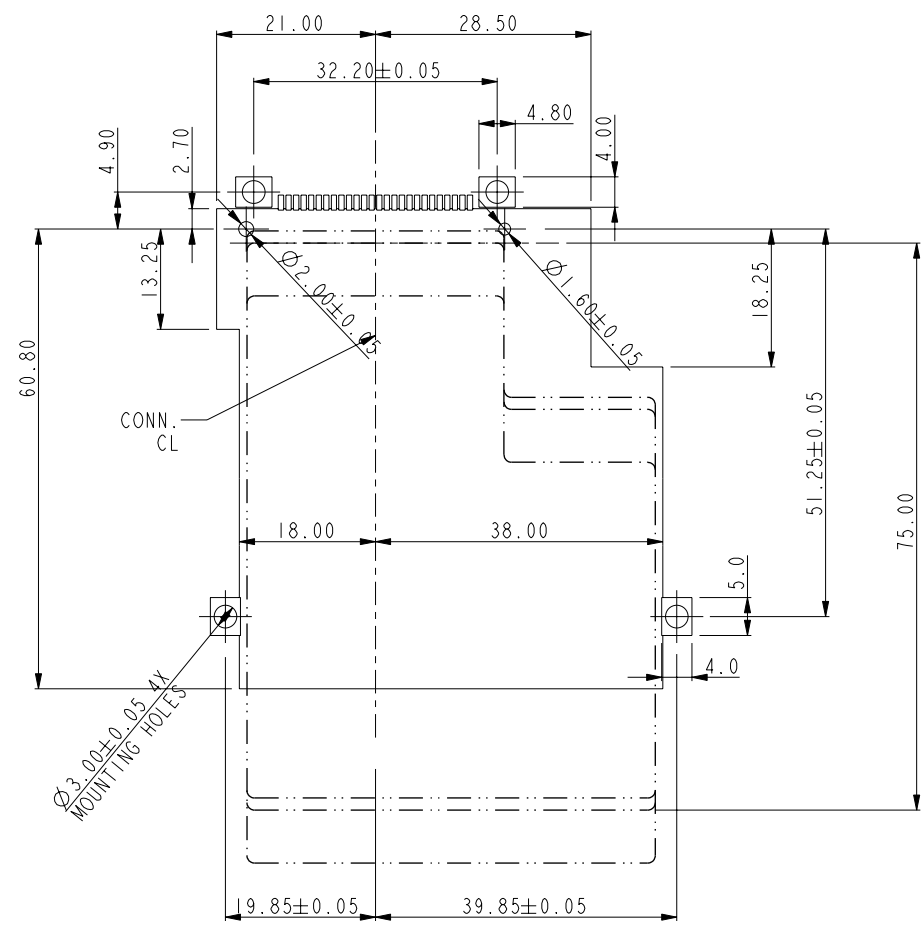
2

3 PDM: Rev:C

STATUS: Released

4 Printed: Dec 22, 2010

| PART NO.       | MOUNTING | STAND-OFF | HOST CONN P/N     | PRODUCT SPEC. | PACKING SPEC. | NOTE      |
|----------------|----------|-----------|-------------------|---------------|---------------|-----------|
| 10053827-00A   | ABOVE    | 0MM       | 10053826-X00AXXLF | GS-12-301     | GS-14-295     | LEAD FREE |
| 10053827-00ALF | ABOVE    | 0MM       | 10053826-X00AXXLF | GS-12-301     | GS-14-295     | LEAD FREE |



Copyright FCI.

NO MOUNTING PART AREA

- NOTE:
1. 4 M2\*0.4P SCREWS WITH WASHER ARE REQUIRED.
  2. SHOW DIMENSION AFTER FASTENED TO PCB.
  3. SEE HOST CONNECTOR DRAWINGS FOR PCB LAYOUT DETAIL.
  4. RECOMMENDED TIGHTING TORQUE 1.6~1.8 KGF-CM.
  5. SEE DETAIL 2 FOR RECOMMENDED SCREW LENGTH.

|  |                        |                    |           |
|--|------------------------|--------------------|-----------|
|  | TOP MOUNT, CARD PUSH   | dwg no<br>10053827 | Rev.<br>C |
|  | EXPRESSCARD HOST MECH. |                    |           |

REV F - 2006-04-17