



Chipsmall Limited consists of a professional team with an average of over 10 year of expertise in the distribution of electronic components. Based in Hongkong, we have already established firm and mutual-benefit business relationships with customers from,Europe,America and south Asia,supplying obsolete and hard-to-find components to meet their specific needs.

With the principle of "Quality Parts,Customers Priority,Honest Operation,and Considerate Service",our business mainly focus on the distribution of electronic components. Line cards we deal with include Microchip,ALPS,ROHM,Xilinx,Pulse,ON,Everlight and Freescale. Main products comprise IC,Modules,Potentiometer,IC Socket,Relay,Connector.Our parts cover such applications as commercial,industrial, and automotives areas.

We are looking forward to setting up business relationship with you and hope to provide you with the best service and solution. Let us make a better world for our industry!



## Contact us

Tel: +86-755-8981 8866 Fax: +86-755-8427 6832

Email & Skype: info@chipsmall.com Web: www.chipsmall.com

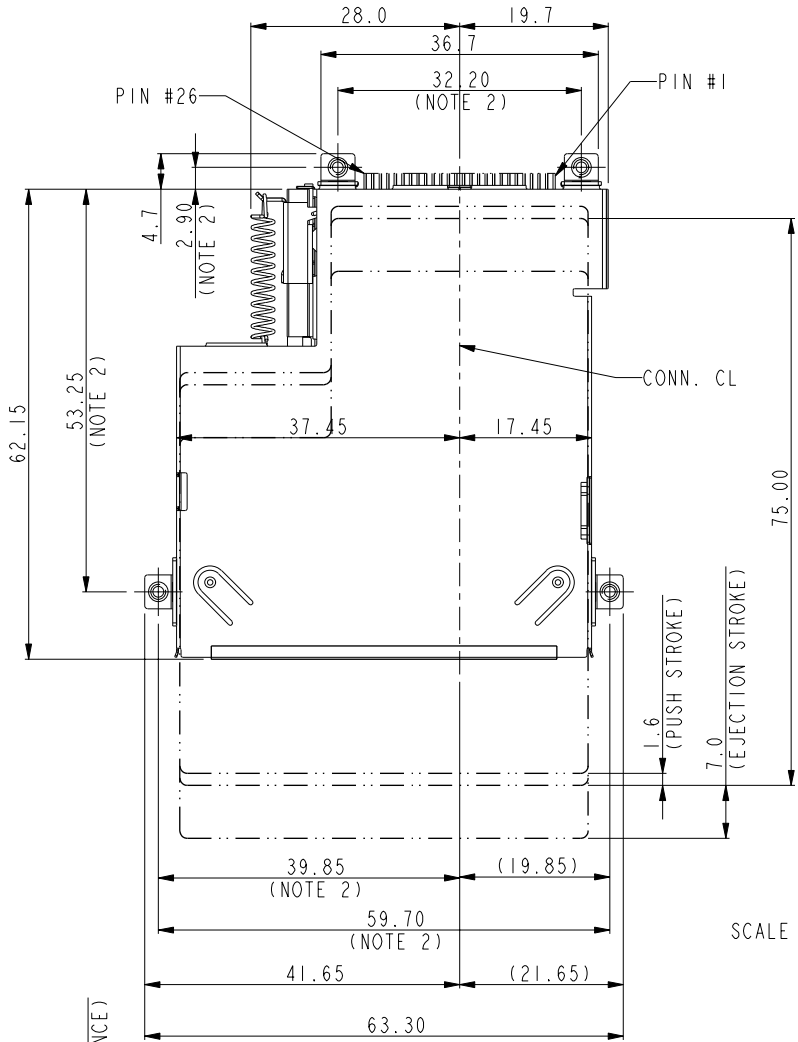
Address: A1208, Overseas Decoration Building, #122 Zhenhua RD., Futian, Shenzhen, China



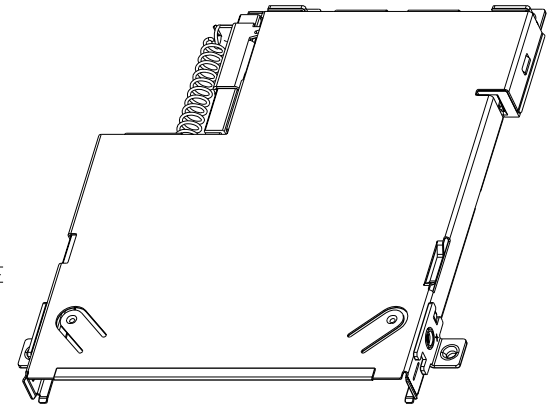
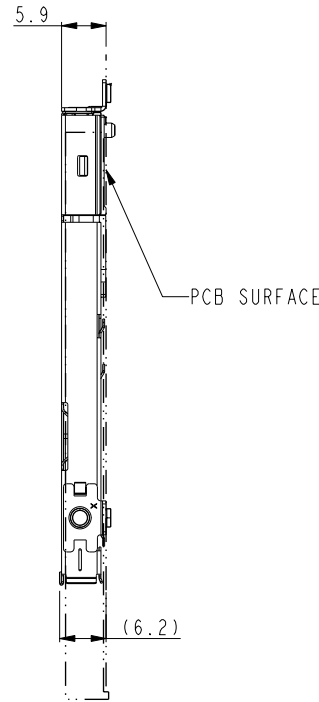
Tous droits strictement réservés. Reproduction ou communication à des tiers interdite sous quelque forme que ce soit sans autorisation écrite du propriétaire. Propriété de FCI. Droits de reproduction FCI.



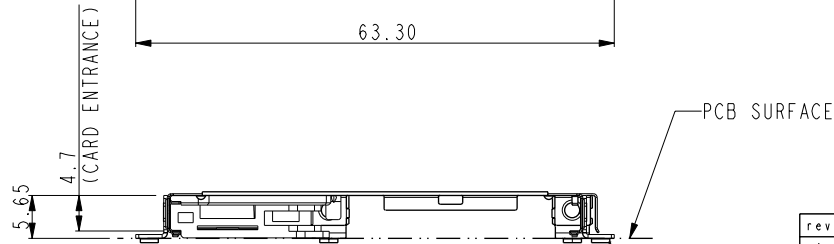
All rights strictly reserved. Reproduction or issue to third parties in any form whatever is not permitted without written authority from the proprietor. Property of FCI. Copyright FCI.



SCALE 1.000



SCALE 1.000



rev	ecn no	dr	date
A	T05-0186	TAI	08/31/05
B	T05-0244	TAI	11/02/05
-	-	-	-
-	-	-	-
-	-	-	-
-	-	-	-

		www.fciconnect.com		tolerance ASME Y14.5	projection	MM
Dr	KENNY TAI	04/07/05	Product family	size	A4	Scale 1.000
Eng	KENNY TAI	04/07/05	Spec ref *	ECN	T05-0244	
Chr	KENNY TAI	04/07/05	Material	SEE NOTES		
Appr	PAUL WANG	04/07/05				
title				BELOW MOUNT, 0 S/O		dwg no 10055263
EXPRESSCARD HOST MECH.						
catalog no				10055263	CUSTOMER	Rev. B
				sheet 1 of 2		

tolerance unless otherwise specified	
linear	.X ± .5
	.XX ± .30
angles	0° ± 2°

1

2

3

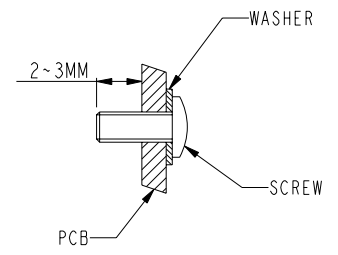
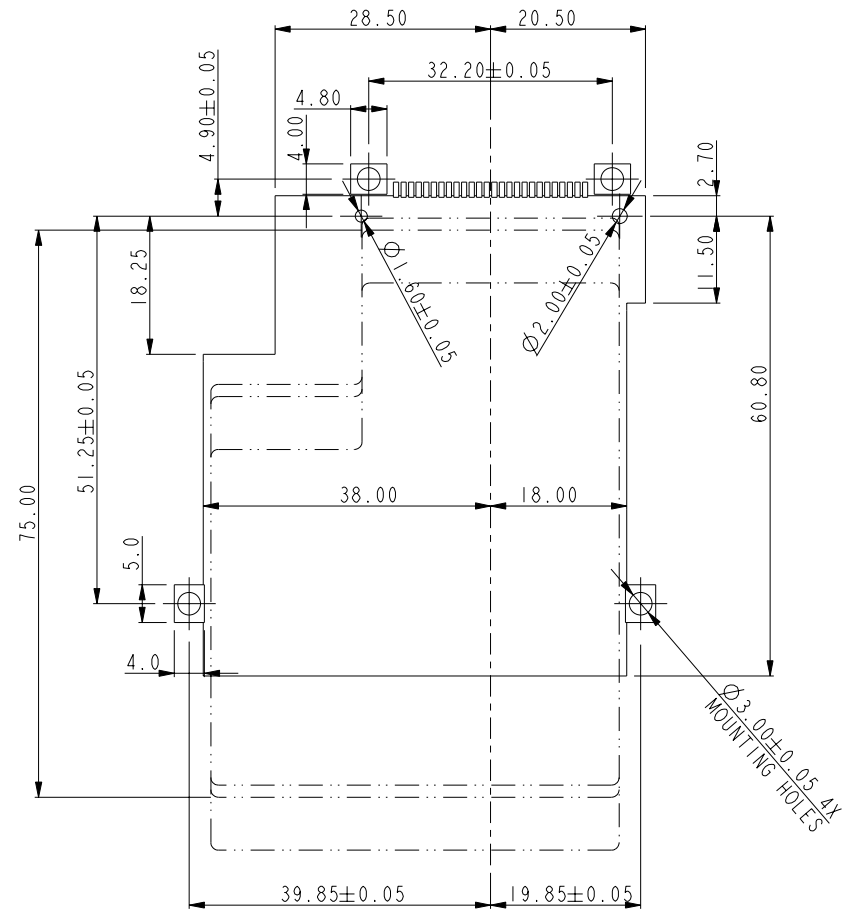
4

PART NO.	MOUNTING	STAND-OFF	HOST CONN P/N	PRODUCT SPEC.	PACKING SPEC.
I0055263-00BLF	BELOW	0MM	I0055262-X00BXXLF	GS-12-301	GS-14-295

Tous droits strictement reserves. Reproduction ou communication a des tiers interdite sous quelque forme que ce soit sans autorisation ecrite du proprietaire. Propriete de c FCI. Droits de reproduction FCI.



All rights strictly reserved. Reproduction or issue to third parties in any form whatever is not permitted without written authority from the proprietor. Property of FCI. Copyright FCI.



DETAIL 2  
RECOMMENDED SCREW LENGTH

NO MOUNTING PART AREA

- NOTE:
1. 4 M2\*0.4P SCREWS WITH WASHER ARE REQUIRED.
  2. SHOW DIMENSION AFTER FASTENED TO PCB.
  3. SEE HOST CONNECTOR DRAWINGS FOR PCB LAYOUT DETAIL.
  4. RECOMMENDED TIGHTING TORQUE 1.6~1.8 KGF-CM.
  5. SEE DETAIL 2 FOR RECOMMENDED SCREW LENGTH.

RECOMMENDED PCB LAYOUT  
VIEW FROM MOUNTING SIDE  
SCALE 1.000

title	BELOW MOUNT, 0 S/O EXPRESSCARD HOST MECH.	dwg no	I0055263	Rev.	B
catalog no	I0055263	CUSTOMER	sheet 2 of 2		