



Chipsmall Limited consists of a professional team with an average of over 10 year of expertise in the distribution of electronic components. Based in Hongkong, we have already established firm and mutual-benefit business relationships with customers from,Europe,America and south Asia,supplying obsolete and hard-to-find components to meet their specific needs.

With the principle of “Quality Parts,Customers Priority,Honest Operation,and Considerate Service”,our business mainly focus on the distribution of electronic components. Line cards we deal with include Microchip,ALPS,ROHM,Xilinx,Pulse,ON,Everlight and Freescale. Main products comprise IC,Modules,Potentiometer,IC Socket,Relay,Connector.Our parts cover such applications as commercial,industrial, and automotives areas.

We are looking forward to setting up business relationship with you and hope to provide you with the best service and solution. Let us make a better world for our industry!



## Contact us

Tel: +86-755-8981 8866 Fax: +86-755-8427 6832

Email & Skype: info@chipsmall.com Web: www.chipsmall.com

Address: A1208, Overseas Decoration Building, #122 Zhenhua RD., Futian, Shenzhen, China



NOTES:

1. MATERIAL:

CONTACT: PHOSPHOR BRONZE  
 BASE: UL 94V-0 PBT. 30%GF  
 BASE: UL 94V-0 LCP. 50%GF (ONLY FOR 10057542-1311XLF)  
 COVER: UL 94V-0 PBT. 30%GF  
 COVER: UL 94V-0 LCP. 50%GF (ONLY FOR 10057542-1311XLF)

2. PLATING:

GOLD PLATING: SEE PART NUMBER DEFINITION.  
 120u" MATTE PURE TIN IN SOLDER TAIL AREA;  
 50u" NICKEL UNDERPLATE OVER ALL SURFACES.

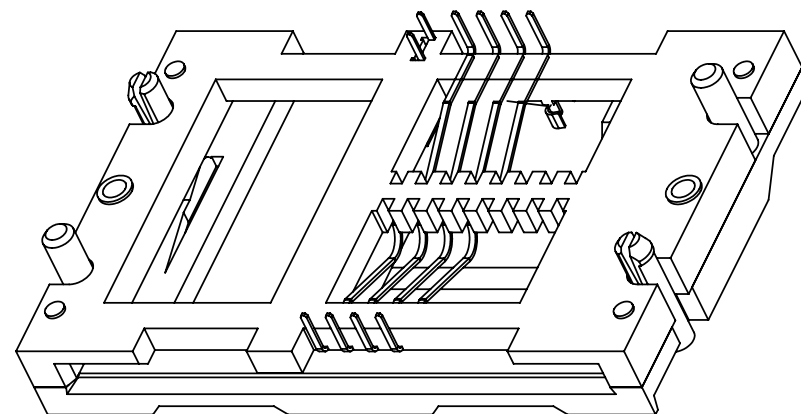
3. THIS PRODUCT MEETS EUROPEAN UNION DIRECTIVES AND OTHER COUNTRY REGULATIONS AS DESCRIBED IN GS-22-008.

4. GENERAL TOLERANCE: 0 mm TO 10 mm: ±0.15 mm  
 10 mm TO 30 mm: ±0.20 mm  
 30 mm TO 60 mm: ±0.3 mm  
 >60 mm: ±0.5 mm

5. FLATNESS CONTROL WITHIN 0.25mm MAX.

6. THE HOUSING WILL WITHSTAND EXPOSURE TO 260 °C PECK TEMPERATURE FOR 10 SECONDS  
 IN A WAVE SOLDER APPLICATION WITH A 1.6mm MINIMUM THICK CIRCUIT BOARD USE PROTECTIVE  
 ADHESIVE TAPE (KAPTON OR TEFLON) OR PROTECTIVE METALLIC DEVICES ON THE AREAS WHICH  
 ARE DIRECTLY EXPOSED TO WAVE SOLDERING AS IT IS USED IN CLASSICAL LEADED WAVE SOLDERING

7. CUSTOMER CAN FREE CHOOSE THE TWO HOLES ACCORDING TO THEIR REQUIREMENT



PART NUMBER SCHEME:  
10057542-XXXXXLF

- SENSOR TYPE:  
F: BLADE CONTACTS NORMALLY CLOSED.  
A: BLADE CONTACTS NORMALLY OPEN.
- GOLD PLATING THICKNESS:  
1: 0.4um.  
2: 0.8um.
- NUMBER OF CONTACTS:  
1: 8
- PROFILE TYPE:  
1: STANDARD PROFILE(HEIGHT: 9.0)  
2: LOW PROFILE(HEIGHT: 6.5)  
3: DIFFERENT FOOTS FOR LOW INSERT FORCE,
- COVER COLOR:  
1: BLACK.



Copyright FCI.

rev	ecn no	dr	date
G	N10-0242	SH	2010-12-27
-	-	-	-
-	-	-	-
-	-	-	-
-	-	-	-
-	-	-	-

www.fciconnect.com		surface 6.4 ISO 1302	tolerance std ISO 406 ISO 1101	projection ISO 1101	MM
		TOLERANCES UNLESS OTHERWISE SPECIFIED			
Dr	AILEI ZHANG	06/22/05	ANGULAR	0.X	±0.3
Eng	AILEI ZHANG	06/22/05	LINEAR	0.XX	±0.15
Chr	AILEI ZHANG	06/22/05	0° ±2°	0.XXX	±0.05
Appr	JASON ZHOU	06/22/05	Product family	size	A4
				ECN	N10-0242
				Spec ref	
FCI		title		dwg no	Rev.
		SMART CARD CONNECTORS		10057542	G
		catalog no		CUSTOMER	sheet 1 of 4

PRODUCT NUMBER  
10057542-111XXLF

A

B

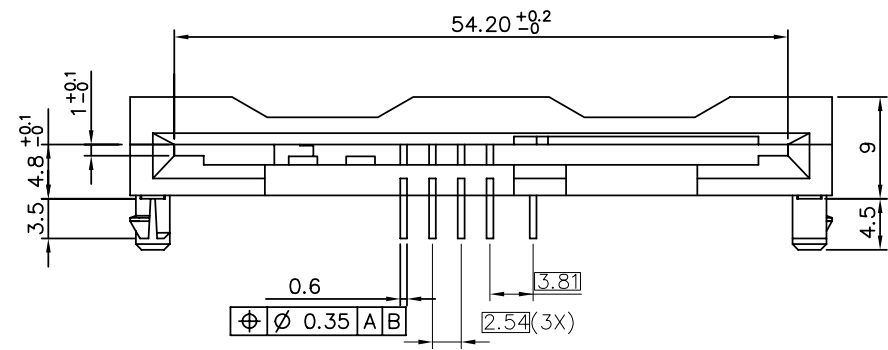
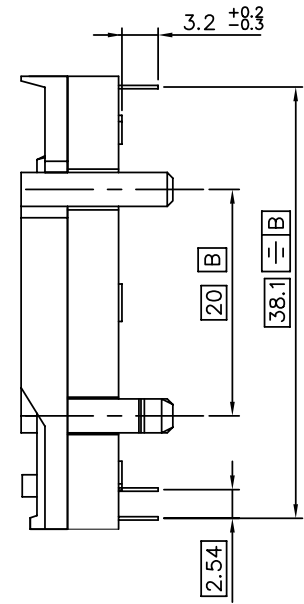
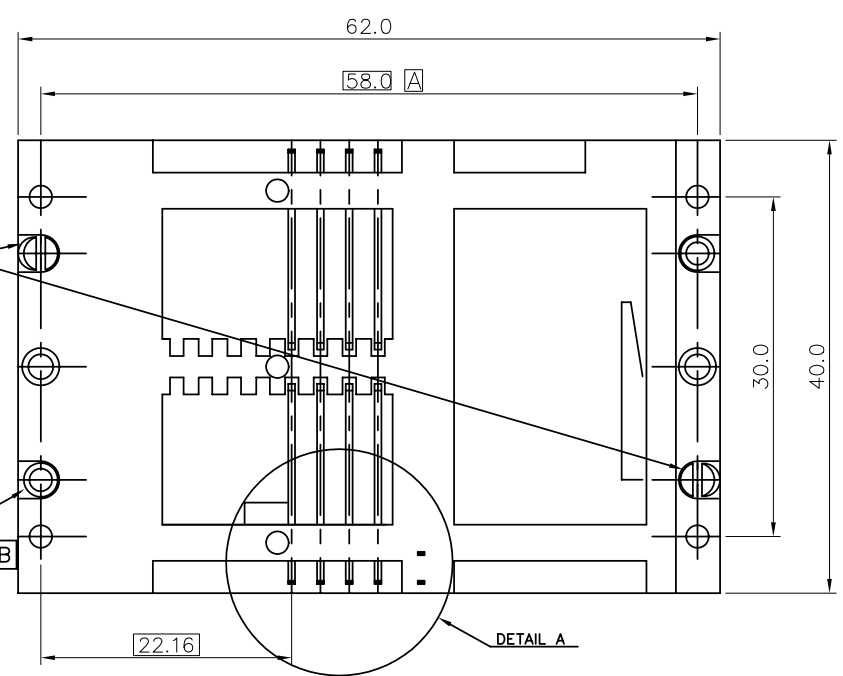
C

D

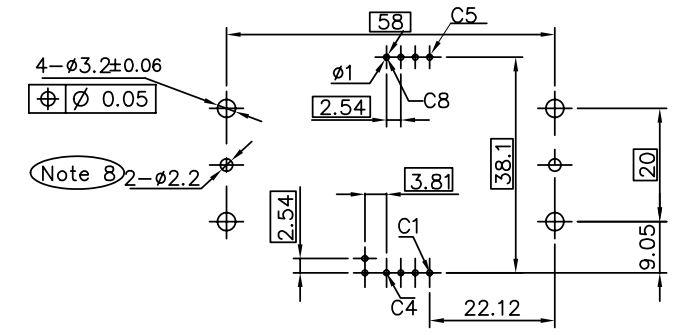
CRIMPING PART TO USE WITH A THICKNESS PCB OF 1.6 HOLES  $\phi=3.2\pm0.06$

$\phi \pm 0.05$  A B

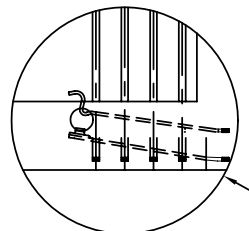
$\phi 3\pm0.2$   
 $\phi \pm 0.05$  A B



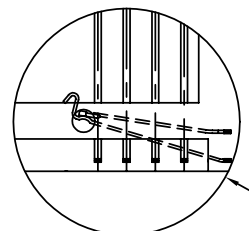
RECOMMENDED PCB FOOTPRINT



SCALE 2/1



SENSOR TYPE:  
A: BLADE CONTACTS NORMALLY OPEN.



SENSOR TYPE:  
F: BLADE CONTACTS NORMALLY CLOSED.

www.fciconnect.com			surface ISO 1302	tolerance std ISO 406 ISO 1101	projection	MM
			TOLERANCES UNLESS OTHERWISE SPECIFIED			
Dr	AILEI ZHANG	06/22/05	ANGULAR	LINEAR	0.X	±0.3
Eng	AILEI ZHANG	06/22/05			0.XX	±0.15
Chr	AILEI ZHANG	06/22/05			0.XXX	±0.05
Appr	JASON ZHOU	06/22/05	Product family		ECN	N10-0242
title SMART CARD CONNECTORS			dwg no 10057542		Rev. G	
catalog no			CUSTOMER		sheet 2 of 4	

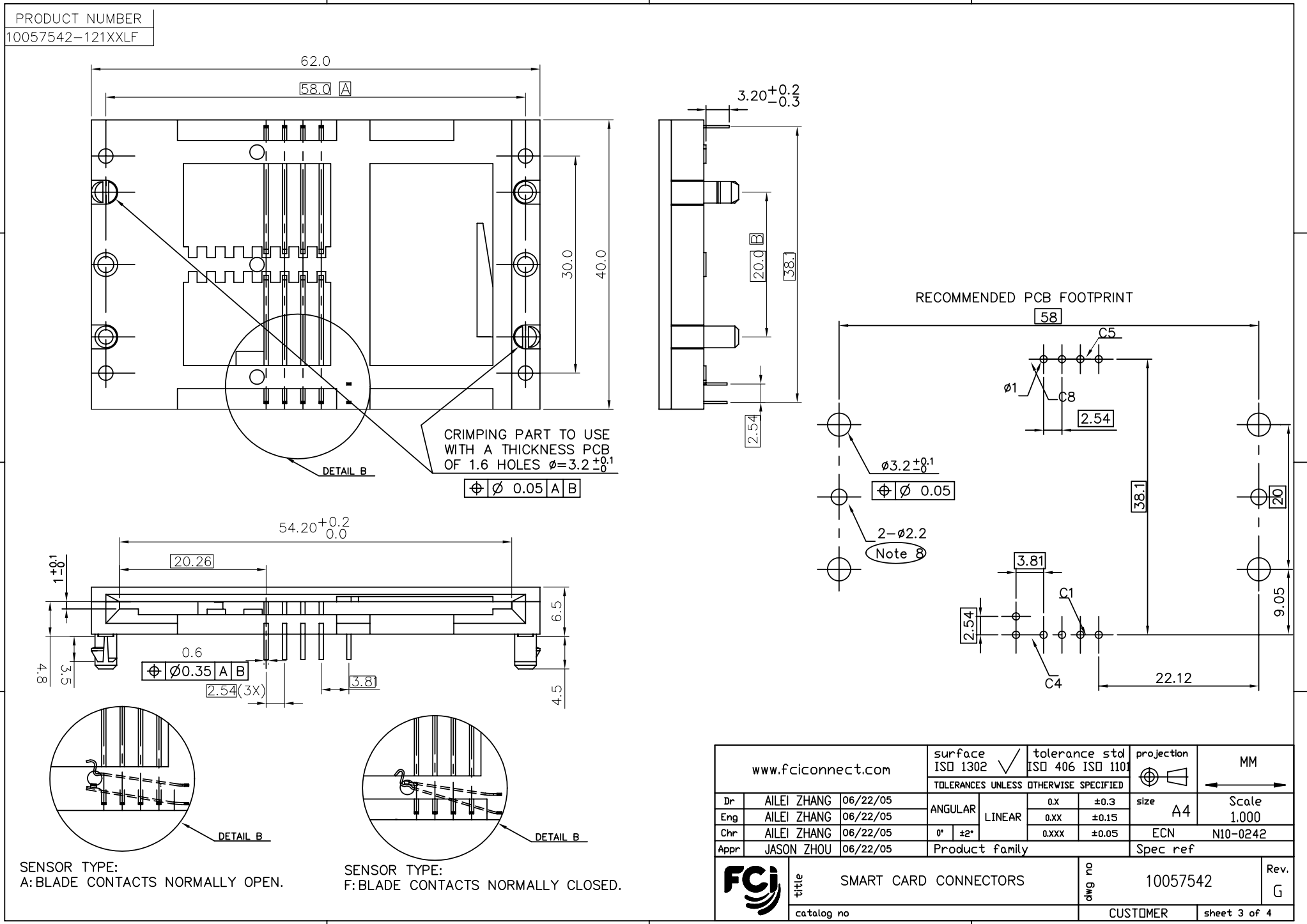
REV F - 2008-04-17



Copyright FCI.



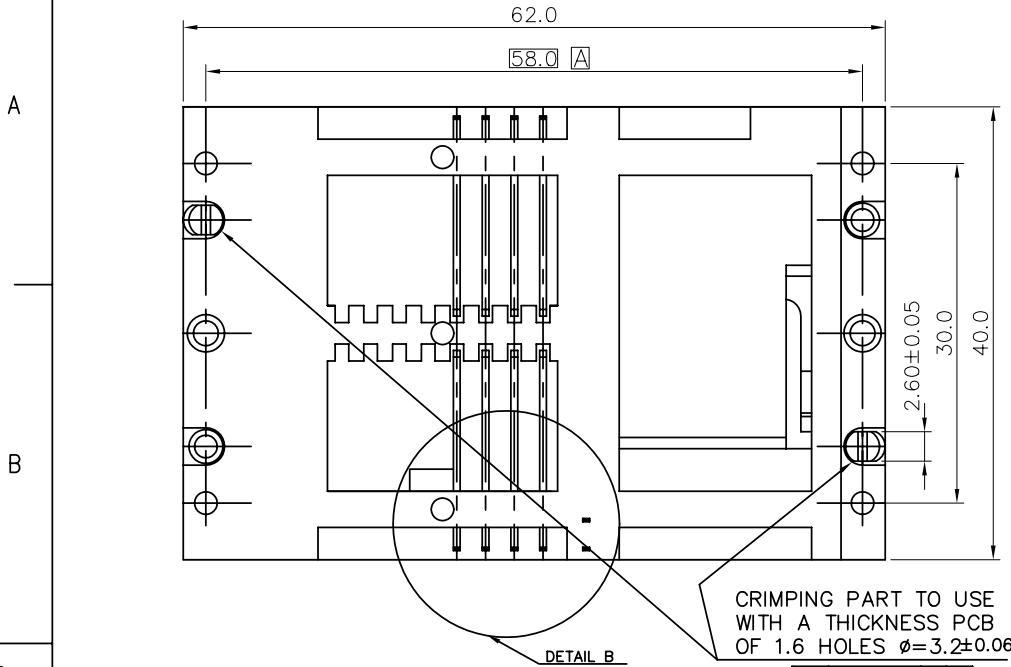
Copyright FCI.



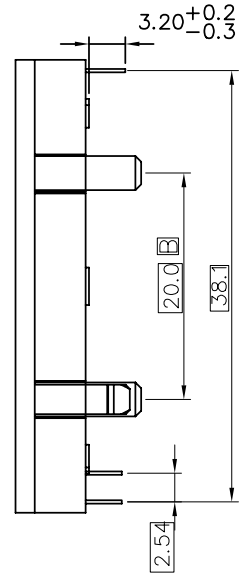
REV F - 2008-04-17

www.fciconnect.com			surface ISO 1302	tolerance std ISO 406 ISO 1101	projection MM
			TOLERANCES UNLESS OTHERWISE SPECIFIED		← →
Dr	AILEI ZHANG	06/22/05	ANGULAR	0.X ±0.3	size A4
Eng	AILEI ZHANG	06/22/05	LINEAR	0.XX ±0.15	Scale 1.000
Chr	AILEI ZHANG	06/22/05	0° ±2°	0.XXX ±0.05	ECN N10-0242
Appr	JASON ZHOU	06/22/05	Product family		Spec ref
FCI			title SMART CARD CONNECTORS		dwg no 10057542
catalog no			CUSTOMER		Rev. G
			sheet 3 of 4		

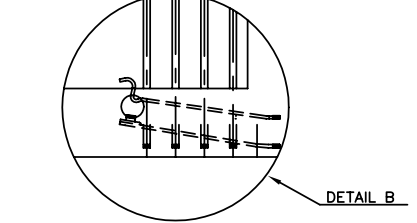
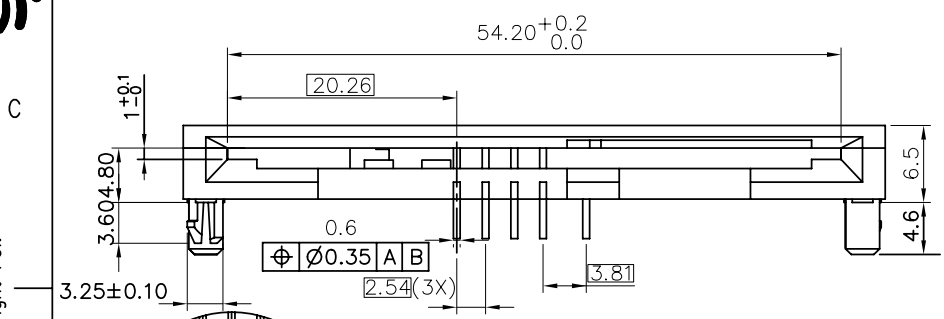
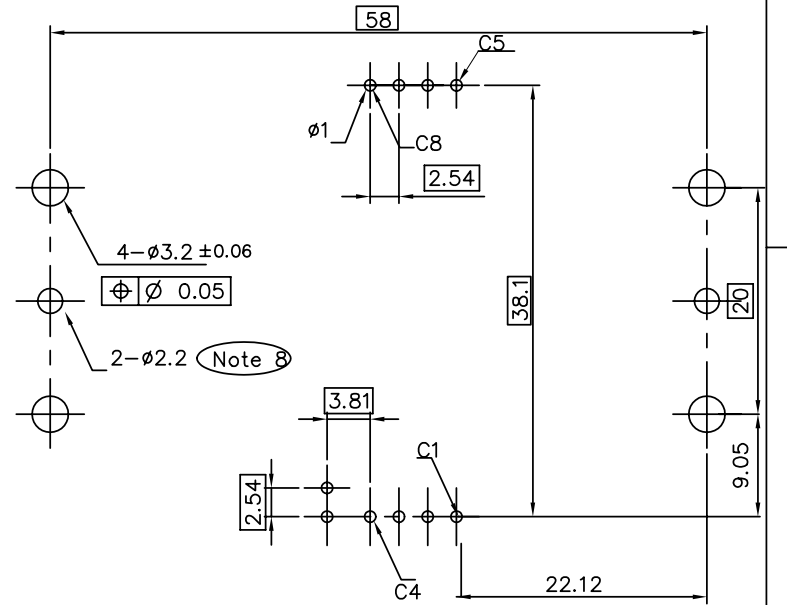
PRODUCT NUMBER  
10057542-131XXLF



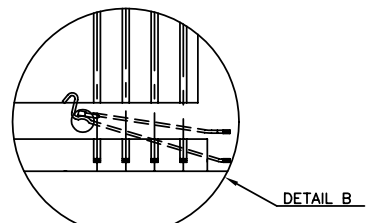
CRIMPING PART TO USE WITH A THICKNESS PCB OF 1.6 HOLES  $\phi=3.2\pm 0.06$   
 $\phi \ 0.05 \ A \ B$



RECOMMENDED PCB FOOTPRINT



SENSOR TYPE:  
A: BLADE CONTACTS NORMALLY OPEN.



SENSOR TYPE:  
F: BLADE CONTACTS NORMALLY CLOSED.

www.fciconnect.com			surface ISO 1302	tolerance std ISO 406 ISO 1101	projection MM
			TOLERANCES UNLESS OTHERWISE SPECIFIED		
Dr	AILEI ZHANG	06/22/05	ANGULAR	0.X ±0.3	size A4
Eng	AILEI ZHANG	06/22/05	LINEAR	0.XX ±0.15	Scale 1.000
Chr	AILEI ZHANG	06/22/05	0° ±2°	0.XXX ±0.05	ECN N10-0242
Appr	JASON ZHOU	06/22/05	Product family		Spec ref
FCI title SMART CARD CONNECTORS			dwg no 10057542		Rev. G
catalog no			CUSTOMER		sheet 4 of 4

REV F - 2008-04-17