



Chipsmall Limited consists of a professional team with an average of over 10 year of expertise in the distribution of electronic components. Based in Hongkong, we have already established firm and mutual-benefit business relationships with customers from,Europe,America and south Asia,supplying obsolete and hard-to-find components to meet their specific needs.

With the principle of “Quality Parts,Customers Priority,Honest Operation,and Considerate Service”,our business mainly focus on the distribution of electronic components. Line cards we deal with include Microchip,ALPS,ROHM,Xilinx,Pulse,ON,Everlight and Freescale. Main products comprise IC,Modules,Potentiometer,IC Socket,Relay,Connector.Our parts cover such applications as commercial,industrial, and automotives areas.

We are looking forward to setting up business relationship with you and hope to provide you with the best service and solution. Let us make a better world for our industry!



Contact us

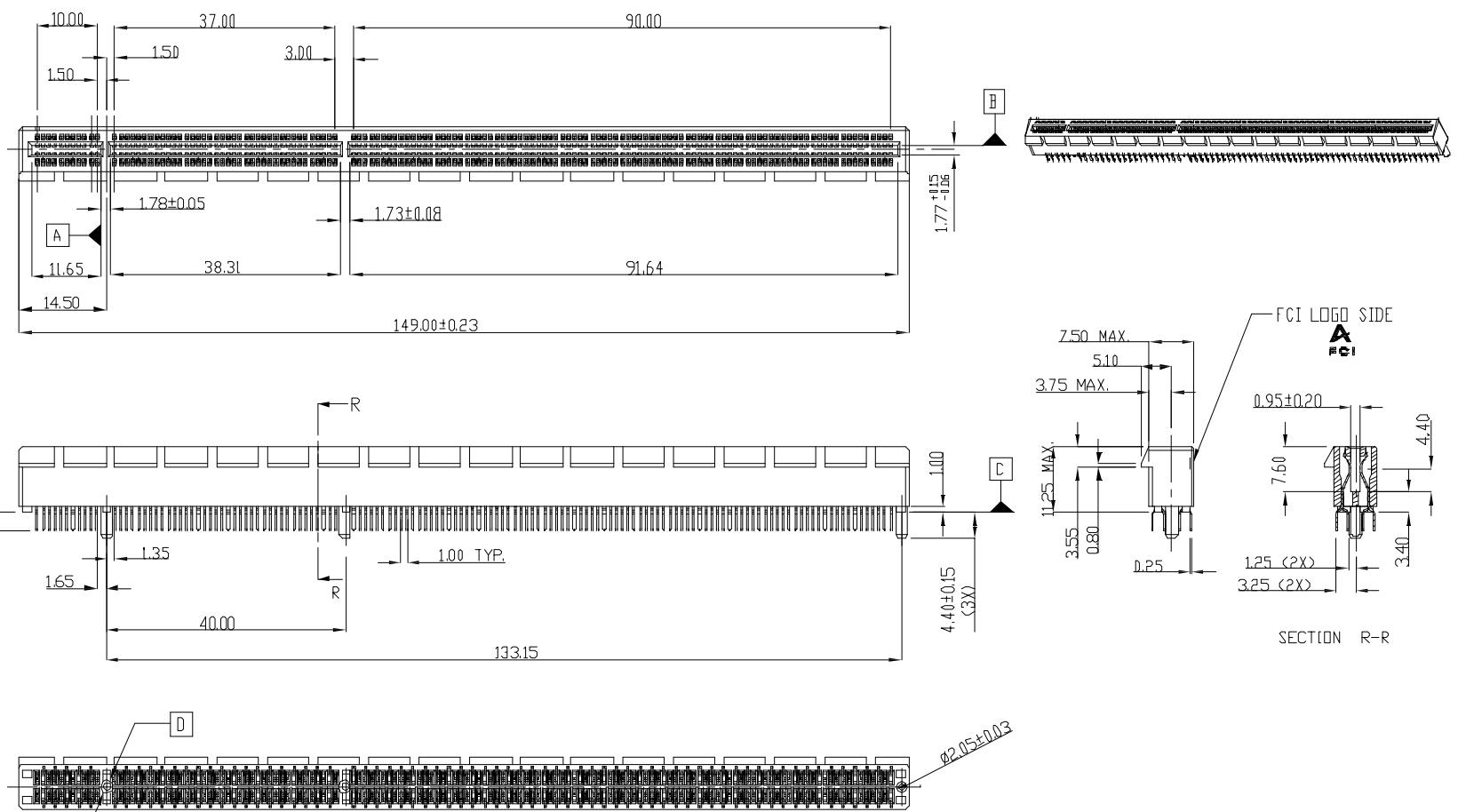
Tel: +86-755-8981 8866 Fax: +86-755-8427 6832


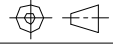
Email & Skype: info@chipsmall.com Web: www.chipsmall.com

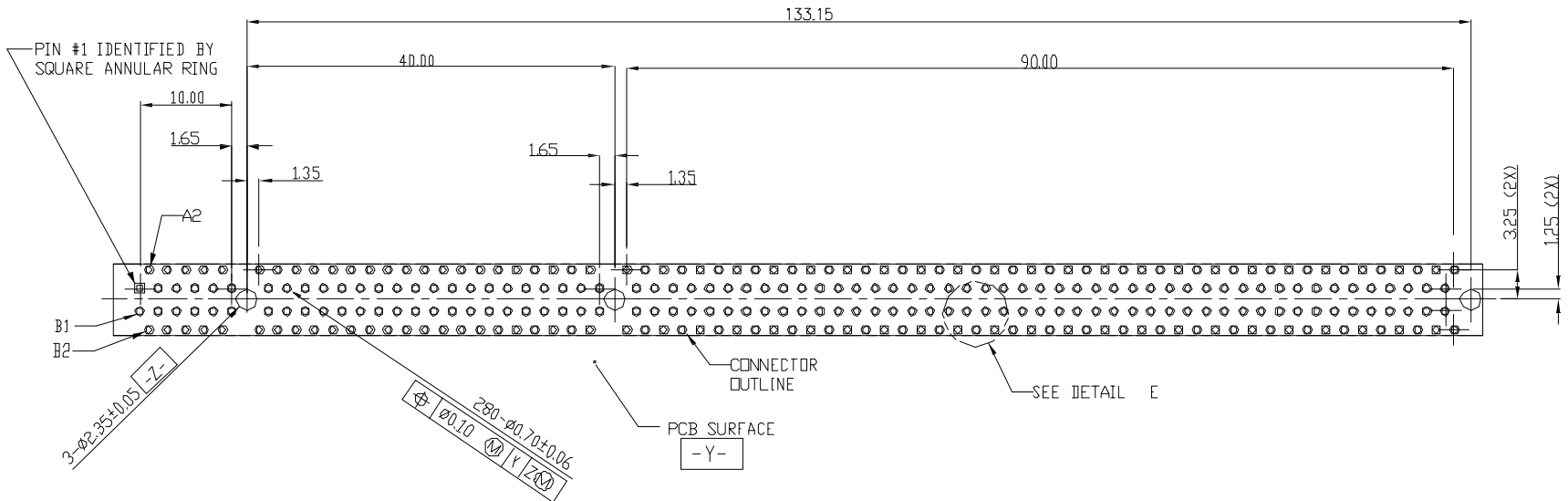
Address: A1208, Overseas Decoration Building, #122 Zhenhua RD., Futian, Shenzhen, China



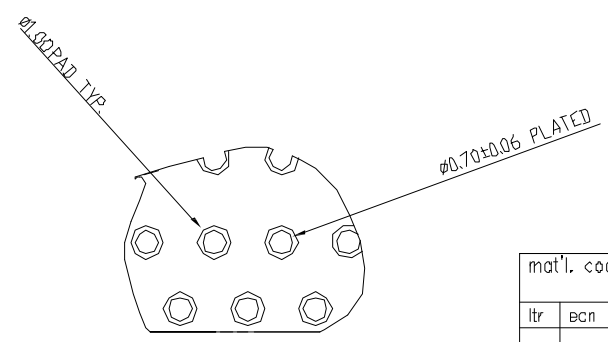
PROD NO
SEE NOTE



mat'l. code				tolerances unless otherwise specified				CUSTOMER COPY		 www.fciconnect.com	
ltr	ecn no	dr	date	linear	.X ±.38				projection	title	
A	TC5-D240	J.H	0/22/09		.XX ±.25					PCI-E 280P CARD EDGE GEN3	
B	TC6-D013	J.H	1/16/06	angles	.XXX ±.10				 MM	product family	
C	ELX-DG-2161-1	S T	05/27/15		Ø* ±2"					PCI	
				dr	STONE LI	05/27/15		scale	code		
				engr	STONE LI	05/27/15			-		
				chr	/	/			sheet		
				appd	PM ZHENG	05/27/15			1 of 4		
sheet	revision	C	C	C	C			N/A	A4 10057596		
index	sheet	1	2	3	4				cage code		
									22526		



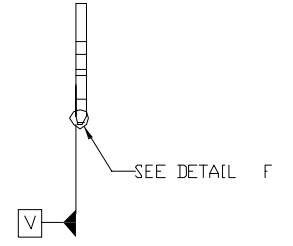
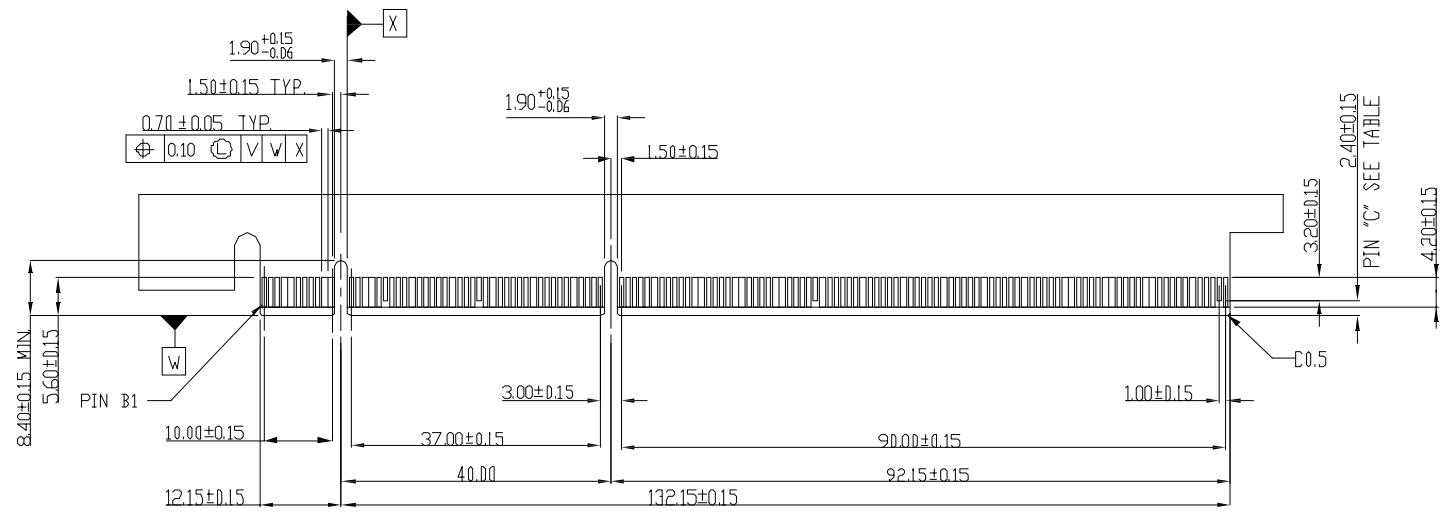
RECOMMENDED FOOTPRINT



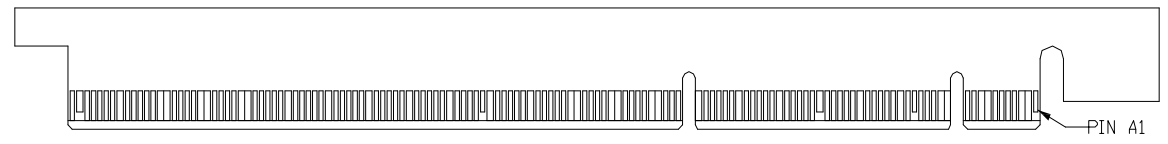
DETAIL E
SCALE 5X

mat'l. code				tolerances unless otherwise specified				CUSTOMER COPY		 www.fciconnect.com		
ltr	ecn	na	dr	date	linear	.X	±.38	projection		title		
						.XX	±.25			PCI-E 280P CARD EDGE GEN3		
						.XXX	±.10			code		
					angles	Ø	±2°	MM		product family		
					dr	STONE LI	05/27/15			PCI		code
					engr	STONE LI	05/27/15			size		dwg no
					chr	/	/			scale		sheet
					appd	PM ZHENG	05/27/15	N/A		A4	10057596	2 of 4
sheet index		revision sheet										

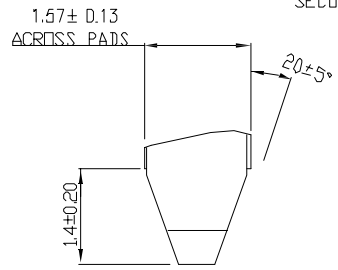
cage code
22526



← I/O PANEL DIRECTION
PRIMARY (COMPONENT) SIDE



I/O PANEL → DIRECTION
DAUGHTER CARD
SECONDARY (SOLDER) SIDE



DETAIL F
SCALE 10X

PIN "C"	A1	A17	A31	A79	A139
	B17	B31	B79	B139	

mat'l. code				tolerances unless otherwise specified		CUSTOMER COPY	 www.fciconnect.com
ltr	ecn no	dr	date	linear	.X ±.3B		
					.XX ±.25		PCI-E 280P CARD EDGE GEN3
				angles	.XXX ±.10		product family
				dr	0° ±2°	size	code
				engr	STONE LI 05/27/15	MM	—
				chr	STONE LI 05/27/15	scale	10057596
				appd	PM ZHENG 05/27/15	N/A	sheet 3 of 4
sheet index	revision sheet						

cage code
22526

NOTES:

1.MATERIAL:

HOUSING: THERMOPLASTIC WITH GLASS FIBER, UL94V-0, COLOR IN BLACK.

CONTACTS: COPPER ALLOY.

2.FINISH:

CONTACTS: GOLD PLATING ON CONTACT AREA, 100u"MIN. TIN/LEAD OR MATTE TIN (LEAD FREE OPTION) PLATING ON SOLDER TAILS, 50u"MIN. NICKEL UNDERPLATING OVER ALL.

3. DURABILITY: 50 CYCLES.

4. RoHS COMPATIBLE PRODUCT SPECIFICATIONS

a. PLATING: "LF" MEANS THE PRODUCT IS LEAD FREE, 2.5um min. MATTE PURE TIN OVER 1.27um MIN. NICKEL UNDERPLATE.

b. MANUFACTURING PROCESS COMPATIBILITY: THE HOUSING WILL WITHSTAND EXPOSURE TO 260C±5C° SOLDER BATH TEMPERATURE FOR 5 SECONDS IN A WAVE SOLDER APPLICATION WITH A 1.57MM THICK CIRCUIT BOARD.

PRODUCT NUMBER CODE
10057596 - X X X X X X X X

HOUSING COLOR OPTIONS
1-BLACK

PEGS OPTIONS
0-PLASTIC PEGS

TERMINAL PLATING OPTIONS
0-50u" Ni UNDERPLATE
30u" Au CONTACT AREA
100u" TIN TAIL AREA -----COMPATIBLE RoHS
1-50u" Ni UNDERPLATE
15u" Au CONTACT AREA
100u" TIN TAIL AREA -----COMPATIBLE RoHS
2-50u" Ni UNDERPLATE
GOLD FLASH CONTACT AREA
100u" TIN TAIL AREA -----COMPATIBLE RoHS


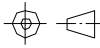

LEAD FREE

PACKAGING OPTIONS
T-TRAY PACKAGING

RESERVE
0

TAIL LENGTH OPTIONS

	DIM "D"	SUGGESTED PCB THICKNESS
1	3.10	2.36±0.10
2	2.54	1.56±0.10

mat'l. code				tolerances unless otherwise specified			CUSTOMER COPY		 www.fciconnect.com	
ltr	ecn no	dr	date	linear	.X ±.38	projection		title		
					.XX ±.25			PCI-E 280P CARD EDGE GEN3		
					.XXX ±.10					
				angles	0° ±2°			product family		code
				dr	STONE LI 05/27/15	MM		PCI		-
				enfr	STONE LI 05/27/15	scale		size/ dwg no		sheet
				chr	/ /	N/A		A4 10057596		4 of 4
				appd	PM ZHENG 05/27/15					
sheet index	revision sheet									

cage code
22526