



Chipsmall Limited consists of a professional team with an average of over 10 year of expertise in the distribution of electronic components. Based in Hongkong, we have already established firm and mutual-benefit business relationships with customers from,Europe,America and south Asia,supplying obsolete and hard-to-find components to meet their specific needs.

With the principle of “Quality Parts,Customers Priority,Honest Operation,and Considerate Service”,our business mainly focus on the distribution of electronic components. Line cards we deal with include Microchip,ALPS,ROHM,Xilinx,Pulse,ON,Everlight and Freescale. Main products comprise IC,Modules,Potentiometer,IC Socket,Relay,Connector.Our parts cover such applications as commercial,industrial, and automotives areas.

We are looking forward to setting up business relationship with you and hope to provide you with the best service and solution. Let us make a better world for our industry!



## Contact us

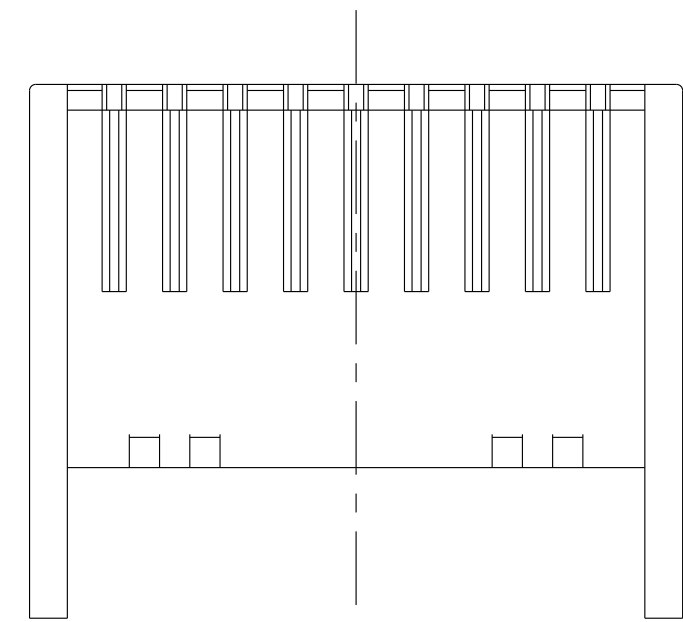
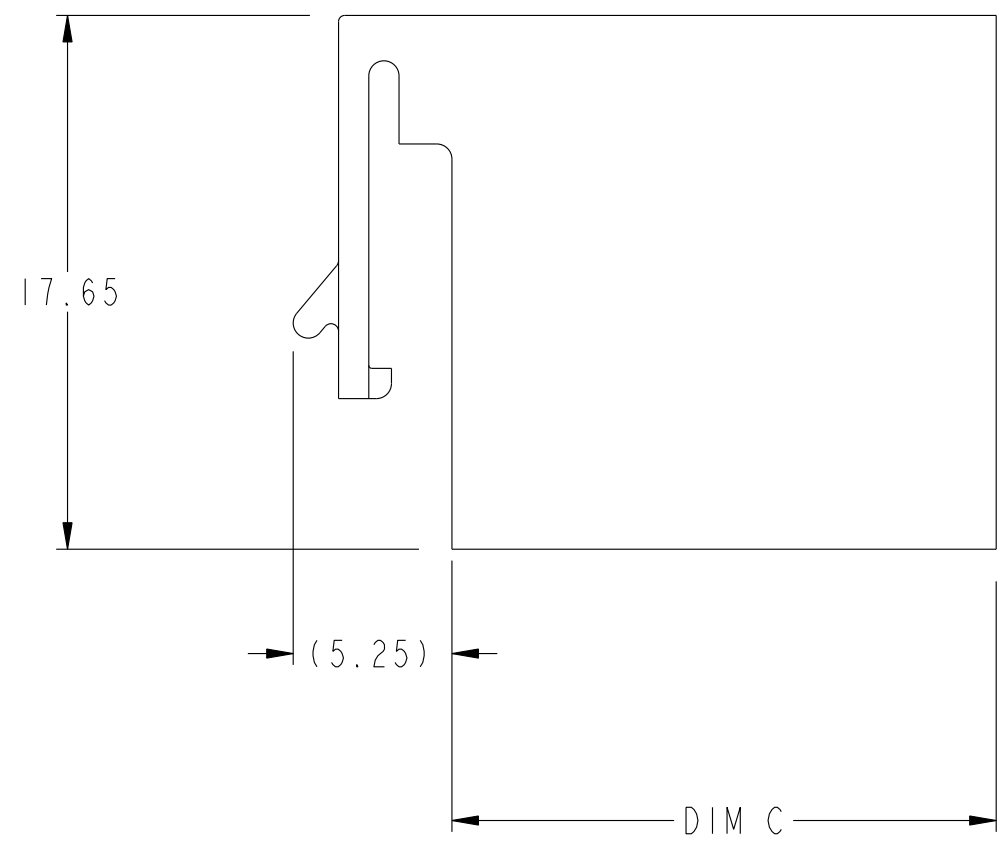
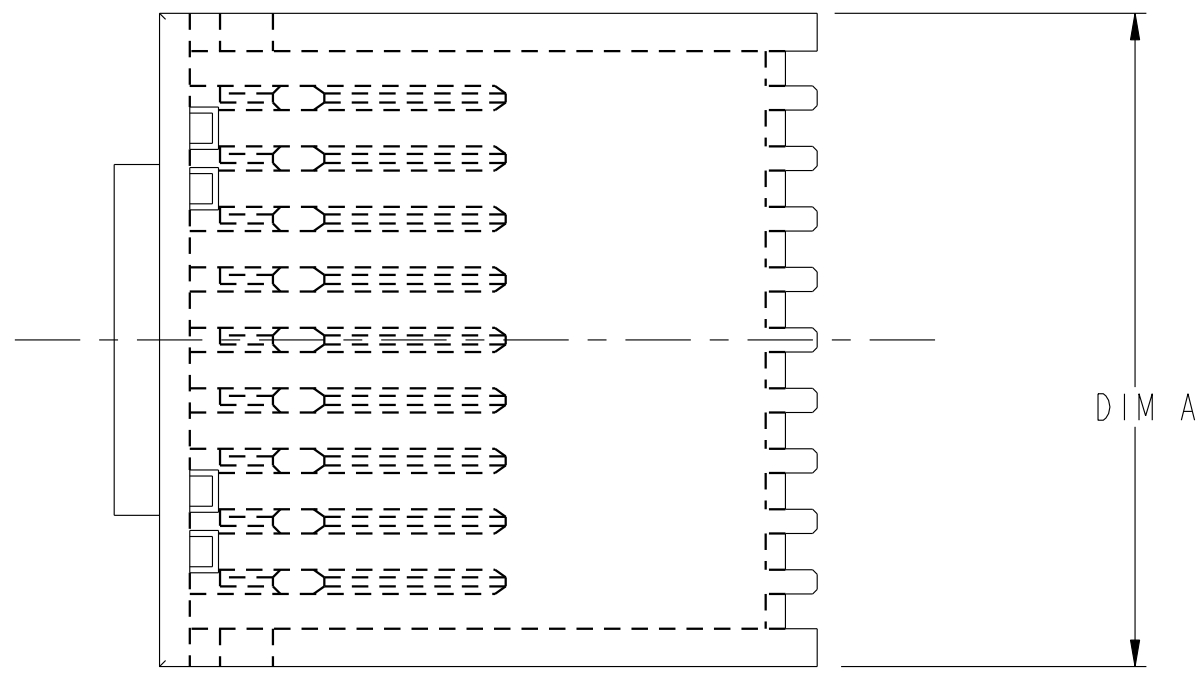
Tel: +86-755-8981 8866 Fax: +86-755-8427 6832

Email & Skype: info@chipsmall.com Web: www.chipsmall.com

Address: A1208, Overseas Decoration Building, #122 Zhenhua RD., Futian, Shenzhen, China



PRODUCT NUMBER  
SEE SHEET 2



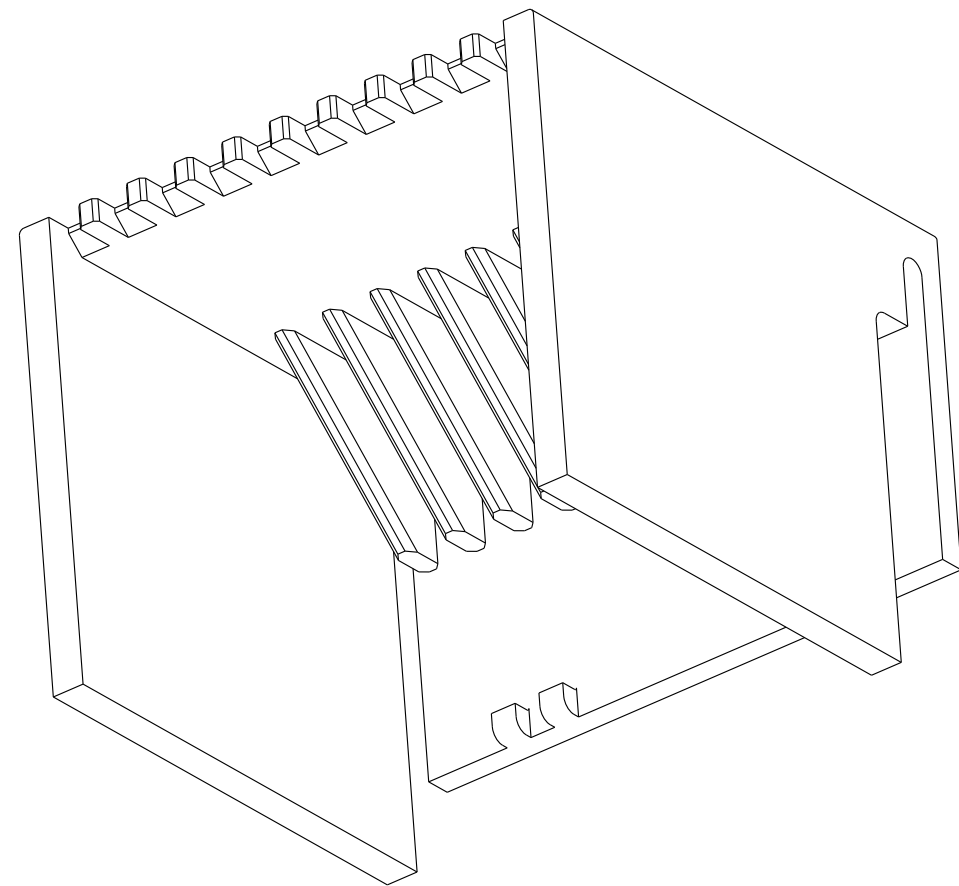
**CONFIDENTIAL**

www.fciconnect.com				surface ASME Y14.5	tolerance std ASME Y14.5	projection MM	TOLERANCES UNLESS OTHERWISE SPECIFIED	
Dr	T.HOUTZ	2005-06-16	ANGULAR	0.X	±0.3	size	Scale	
Eng	C. H. TAN	2006-06-05	LINEAR	0.XX	±0.10	A2	4:1	
Chr	C. H. TAN	2007-06-04	0° ±2°	0.XXX	±0.050	ECN	***	
Appr	JOEY NG	2007-06-04	Product family	-		Spec ref	-	
FCJ				AirMax COVER		diag no	10058685	
				R/A HDR & RECPT - 5pr, 2mm		Rev.	B	
				catalog no		CUSTOMER	sheet 1 of 2	

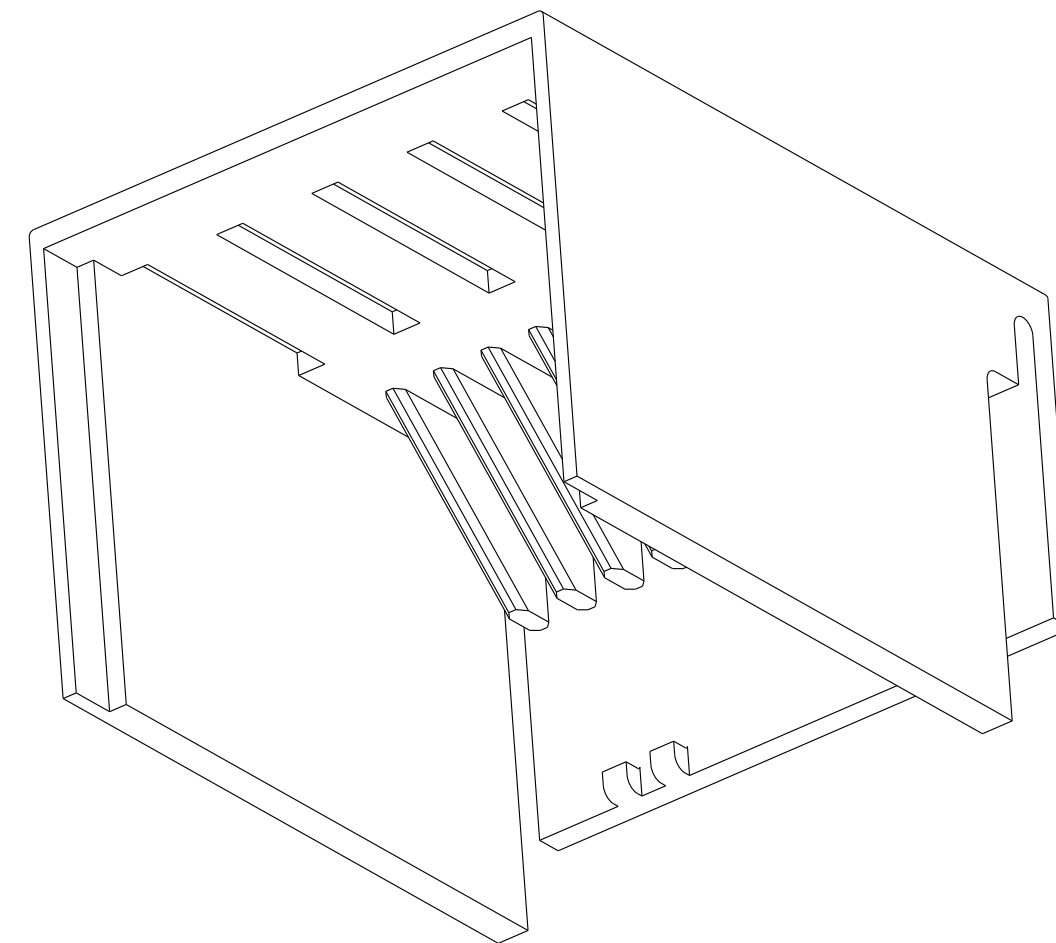
rev	ecn no	dr	date
A	S06-0199	CH	2006-06-05
B	S07-0055	LS	2007-06-04
-	-	-	-
-	-	-	-
-	-	-	-
-	-	-	-

Copyright FCJ

PART NUMBER (NOTE 3)	CONNECTOR GENDER	NUMBER OF IMLAS	DIM A	DIM C
10058685-001LF	R/A HEADER	6	13.60	18.00
10058685-002LF	R/A HEADER	8	17.60	18.00
10058685-003LF	R/A HEADER	10	21.60	18.00
10058685-004LF	R/A RECEPT.	6	13.60	23.45
10058685-005LF	R/A RECEPT.	8	17.60	23.45
10058685-006LF	R/A RECEPT.	10	21.60	23.45



10058685-003LF SHOWN  
SCALE 4:1



10058685-006LF SHOWN  
SCALE 4:1

NOTES:

- MATERIAL: THERMOPLASTIC RESIN  
COLOR : BLACK,  
UL94V-0 COMPLIANT,  
MAXIMUM OPERATING TEMPERATURE  
IS 105°C.
- THIS PRODUCT IS NOT INTENDED TO BE EXPOSED  
TO A MANUFACTURING SOLDER PROCESS.
- THIS PRODUCT MEETS EUROPEAN UNION DIRECTIVES  
AND OTHER COUNTRY REGULATIONS AS DESCRIBED  
IN GS-22-008.
- PACKAGING MEETS GS-14-920 LEAD FREE  
LABELLING SPECIFICATION.

**CONFIDENTIAL**



title AirMax COVER  
R/A HDR & RECPT - 5pr, 2mm  
catalog no

dwg no 10058685  
Rev. B  
CUSTOMER sheet 2 of 2

Copyright FCJ