



Chipsmall Limited consists of a professional team with an average of over 10 year of expertise in the distribution of electronic components. Based in Hongkong, we have already established firm and mutual-benefit business relationships with customers from,Europe,America and south Asia,supplying obsolete and hard-to-find components to meet their specific needs.

With the principle of “Quality Parts,Customers Priority,Honest Operation,and Considerate Service”,our business mainly focus on the distribution of electronic components. Line cards we deal with include Microchip,ALPS,ROHM,Xilinx,Pulse,ON,Everlight and Freescale. Main products comprise IC,Modules,Potentiometer,IC Socket,Relay,Connector.Our parts cover such applications as commercial,industrial, and automotives areas.

We are looking forward to setting up business relationship with you and hope to provide you with the best service and solution. Let us make a better world for our industry!



Contact us

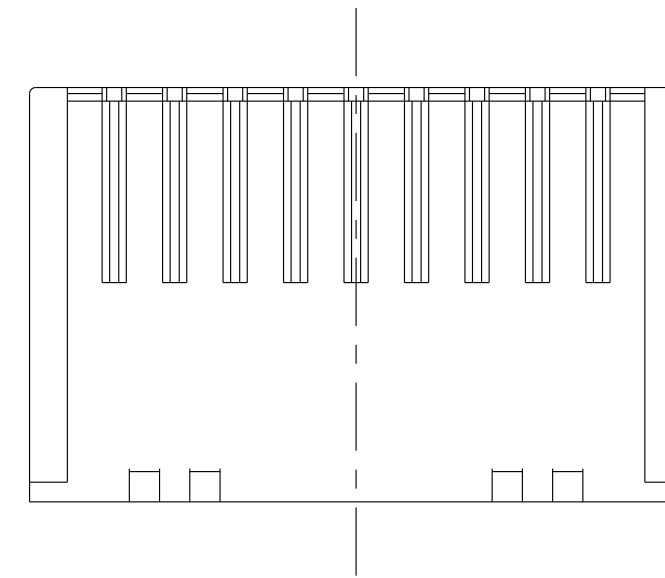
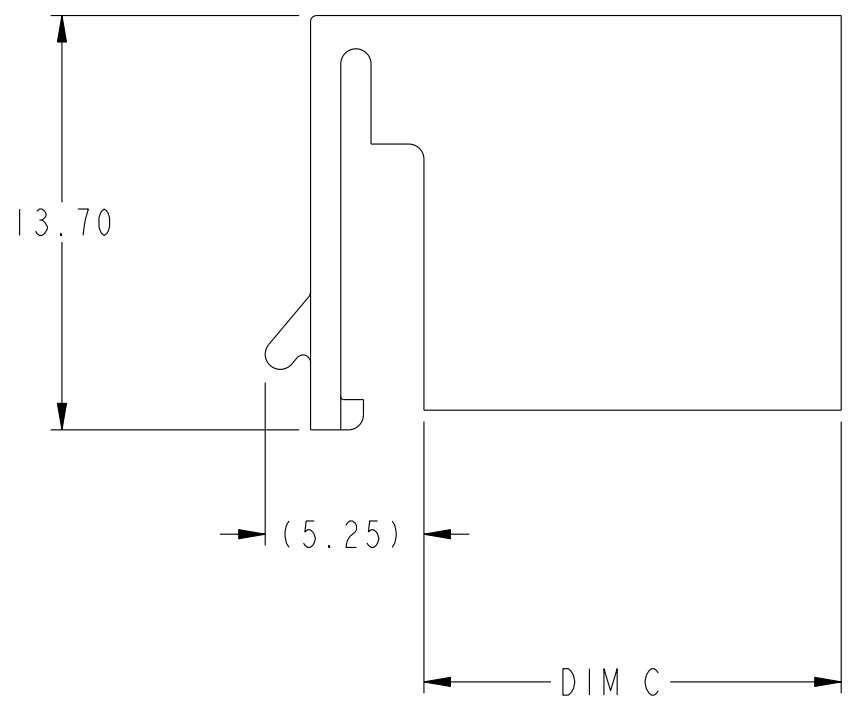
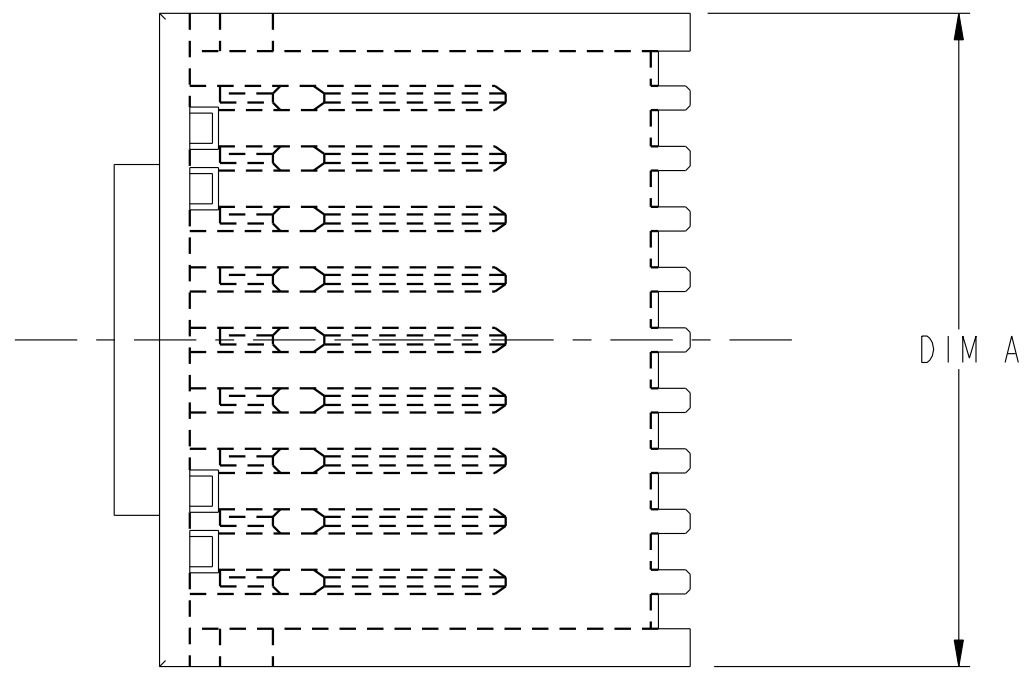
Tel: +86-755-8981 8866 Fax: +86-755-8427 6832

Email & Skype: info@chipsmall.com Web: www.chipsmall.com

Address: A1208, Overseas Decoration Building, #122 Zhenhua RD., Futian, Shenzhen, China



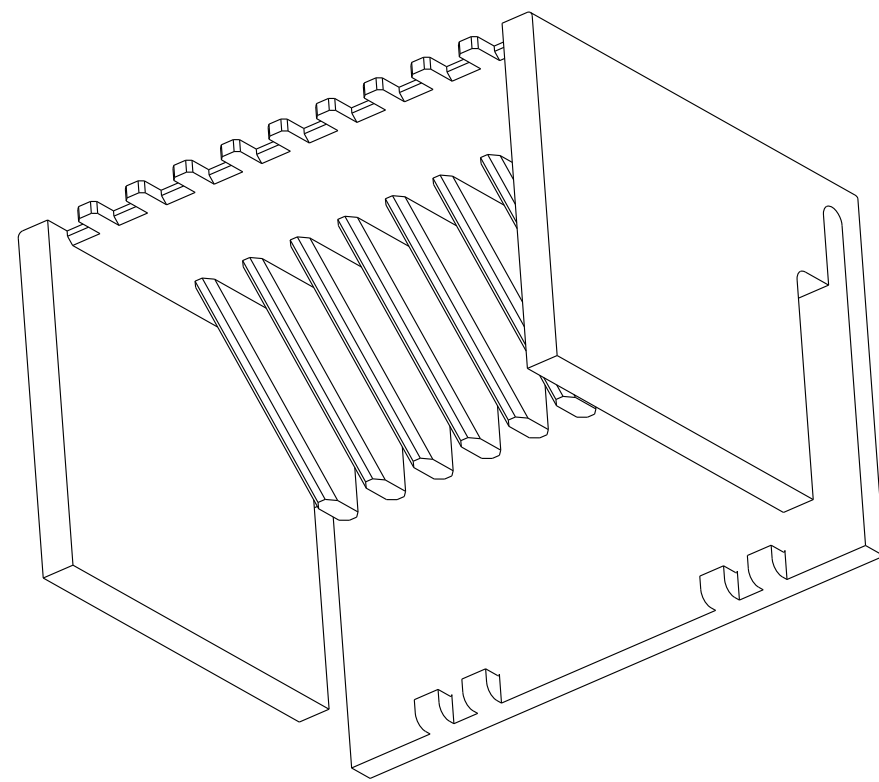
PRODUCT NUMBER
SEE SHEET 2



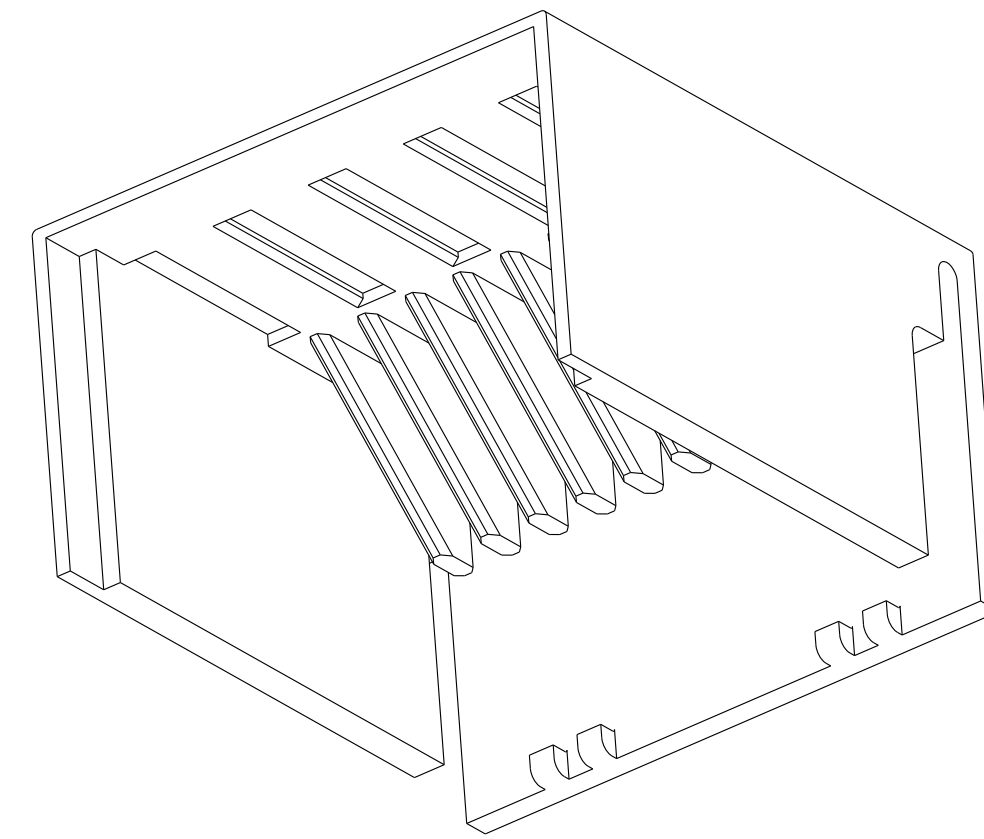
CONFIDENTIAL

www.fciconnect.com				surface ASME Y14.5	tolerance std ASME Y14.5	projection MM	TOLERANCES UNLESS OTHERWISE SPECIFIED		
Dr	T. HOUTZ	2005-08-16	ANGULAR	0.X	±0.3	size	Scale		
Eng	C. H. TAN	2006-06-05	LINEAR	0.XX	±0.10	A2	4:1		
Chr	C. H. TAN	2007-06-04	0° ±2°	0.XXX	±0.050	ECN	***		
Appr	JOEY NG	2007-06-04	Product family	-	Spec ref	-			
rev	ecn no	dr	date	FCJ			title	diag no	Rev.
A	S06-0199	CH	2006-06-05	AirMax COVER			10058686	B	
B	S07-0055	LS	2007-06-04	R/A HDR & RECPT - 4pr, 2mm			CUSTOMER	sheet 1 of 2	
-	-	-	-	catalog no			-	-	

PART NUMBER (NOTE 3)	CONNECTOR GENDER	NUMBER OF IMLAS	DIM A	DIM C
10058686-001LF	R/A HEADER	6	13.60	13.80
10058686-002LF	R/A HEADER	8	17.60	13.80
10058686-003LF	R/A HEADER	10	21.60	13.80
10058686-004LF	R/A RECEPT.	6	13.60	19.25
10058686-005LF	R/A RECEPT.	8	17.60	19.25
10058686-006LF	R/A RECEPT.	10	21.60	19.25



10058686-003LF SHOWN
SCALE 4:1



10058686-006LF SHOWN
SCALE 4:1

NOTES:

- MATERIAL: THERMOPLASTIC RESIN
COLOR : BLACK,
UL94V-0 COMPLIANT,
MAXIMUM OPERATING TEMPERATURE
IS 105°C.
- THIS PRODUCT IS NOT INTENDED TO BE EXPOSED
TO A MANUFACTURING SOLDER PROCESS.
- THIS PRODUCT MEETS EUROPEAN UNION DIRECTIVES
AND OTHER COUNTRY REGULATIONS AS DESCRIBED
IN GS-22-008.
- PACKAGING MEETS GS-14-920 LEAD FREE
LABELLING SPECIFICATION.

CONFIDENTIAL

	title AirMax COVER R/A HDR & RECPT - 4pr, 2mm	dwg no 10058686	Rev. B
	catalog no -	CUSTOMER	sheet 2 of 2

Copyright FCJ. FCJ