



Chipsmall Limited consists of a professional team with an average of over 10 year of expertise in the distribution of electronic components. Based in Hongkong, we have already established firm and mutual-benefit business relationships with customers from,Europe,America and south Asia,supplying obsolete and hard-to-find components to meet their specific needs.

With the principle of “Quality Parts,Customers Priority,Honest Operation,and Considerate Service”,our business mainly focus on the distribution of electronic components. Line cards we deal with include Microchip,ALPS,ROHM,Xilinx,Pulse,ON,Everlight and Freescale. Main products comprise IC,Modules,Potentiometer,IC Socket,Relay,Connector.Our parts cover such applications as commercial,industrial, and automotives areas.

We are looking forward to setting up business relationship with you and hope to provide you with the best service and solution. Let us make a better world for our industry!



Contact us

Tel: +86-755-8981 8866 Fax: +86-755-8427 6832

Email & Skype: info@chipsmall.com Web: www.chipsmall.com

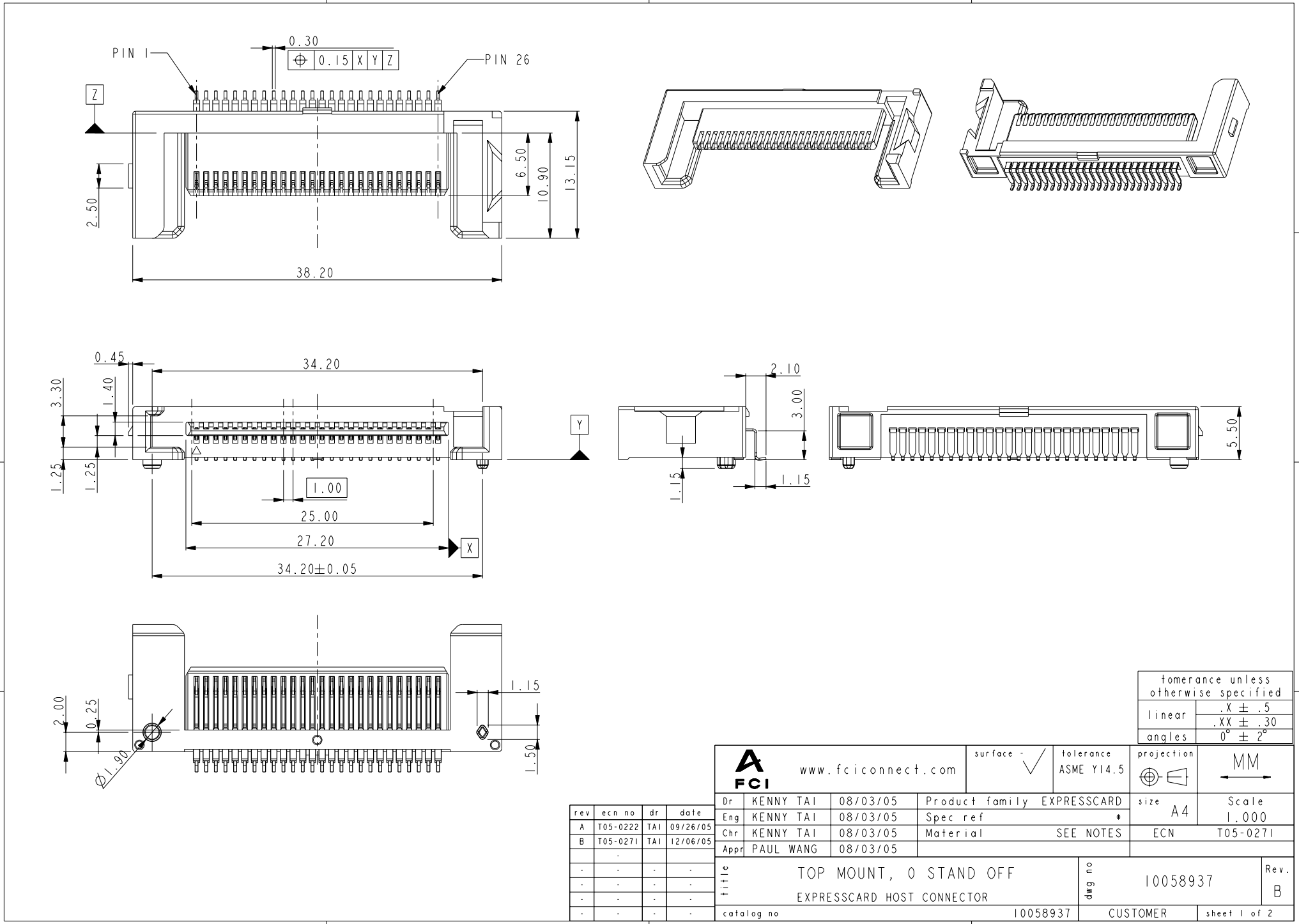
Address: A1208, Overseas Decoration Building, #122 Zhenhua RD., Futian, Shenzhen, China





Tous droits strictement réservés. Reproduction ou communication à des tiers interdite sous quelque forme que ce soit sans autorisation écrite du propriétaire. Propriété de c FCI. Droits de reproduction FCI.

All rights strictly reserved. Reproduction or issue to third parties in any form whatever is not permitted without written authority from the proprietor. Property of FCI. Copyright FCI.



rev	ecn no	dr	date
A	T05-0222	TAI	09/26/05
B	T05-0271	TAI	12/06/05
-	-	-	-
-	-	-	-
-	-	-	-

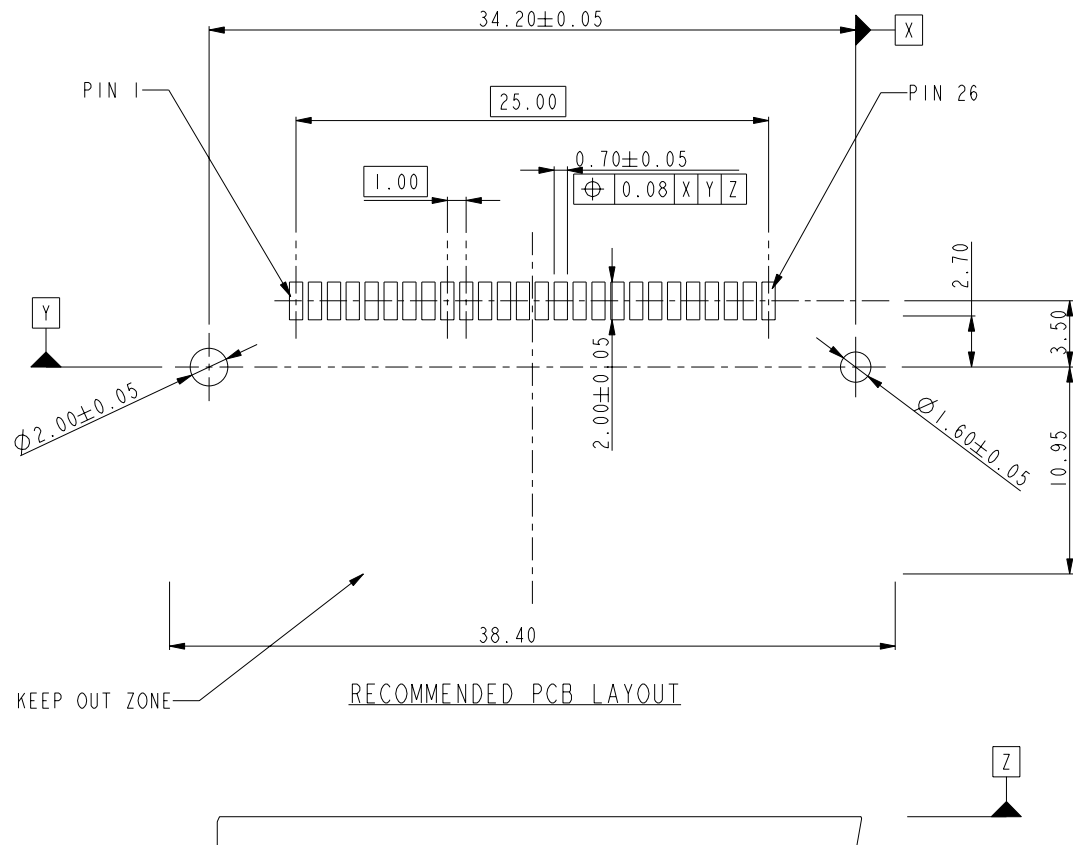
www.fciconnect.com		surface <input checked="" type="checkbox"/>	tolerance ASME Y14.5	projection	MM
Dr	KENNY TAI	08/03/05	Product family EXPRESSCARD	size A4	Scale 1.000
Eng	KENNY TAI	08/03/05	Spec ref *	ECN T05-0271	
Chr	KENNY TAI	08/03/05	Material SEE NOTES		
Appr	PAUL WANG	08/03/05			
title TOP MOUNT, 0 STAND OFF			dwg no 10058937		Rev. B
EXPRESSCARD HOST CONNECTOR			CUSTOMER		sheet 1 of 2
catalog no 10058937					

tolerance unless otherwise specified	
linear	.X ± .5
angles	.XX ± .30
	0° ± 2°

Tous droits strictement reserves. Reproduction ou communication a des tiers interdite sous quelque forme que ce soit sans autorisation écrite du propriétaire. Propriete de FCI. Droits de reproduction FCI.



All rights strictly reserved. Reproduction or issue to third parties in any form whatever is not permitted without written authority from the proprietor. Property of FCI. Copyright FCI.



NOTES :

1. MATERIAL:
HOUSING: HIGH TEMPERATURE THERMOPLASTIC,
UL 94 V-0 FLAME RETARDANT.
TERMINAL: COPPER ALLOY.
PLATING SPEC. AS BELOW :
Ni 50u" UNDER PLATED.
Au OR GXT 30u" OVER CONTACT AREA. (ONE SIDE)
Tin 120u" OVER SOLDERING AREA.
2. PACKING SPEC. GS-14-924.
3. PRODUCT PERFORMANCE PER SPEC. GS-12-285.
4. PART NUMBER SCHEME: (EX. 10058937-100ABSMFLF)
10058937-X XX X X X X LF (LEAD FREE)

SPEC.	OPTION (CODE)		
MYLAR	WITH (M)	WITHOUT ()	
PACKING	TRAY (S)	TAPE & REEL (T)	TUBE (P)
HSG COLOR	BLACK (B)	NATURE (N)	
MOUNT SIDE	ABOVE (A)		
STAND-OFF	0 (00)		
PLATING	GOLD (1)	GXT (2)	

5. RoHS COMPATIBLE PRODUCT SPECIFICATIONS
 - a-PLATING:
-"LF" MEANS THE PRODUCT IS LEAD-FREE, 2micro-meter MINIMUM MATTE TIN OVER 1.27micro-meter MINIMUM NICKEL UNDERPLATE.
 - b-MANUFACTURING PROCESS COMPATIBILITY.
-THE HOUSING WILL WITHSTAND EXPOSURE TO 260°C±5°C SOLDER BATH TEMPERATURE FOR 5 SECONDS IN A REFLOW SOLDER APPLICATION WITH A 1.6mm MIN THICK CIRCUIT BOARD.
6. UMNATING FORCE: 18.5N MAX.

title	TOP MOUNT, 0 STAND OFF EXPRESSCARD HOST CONNECTOR	dwg no	10058937	Rev.	B
catalog no	10058937	CUSTOMER	sheet 2 of 2		