



Chipsmall Limited consists of a professional team with an average of over 10 year of expertise in the distribution of electronic components. Based in Hongkong, we have already established firm and mutual-benefit business relationships with customers from,Europe,America and south Asia,supplying obsolete and hard-to-find components to meet their specific needs.

With the principle of “Quality Parts,Customers Priority,Honest Operation,and Considerate Service”,our business mainly focus on the distribution of electronic components. Line cards we deal with include Microchip,ALPS,ROHM,Xilinx,Pulse,ON,Everlight and Freescale. Main products comprise IC,Modules,Potentiometer,IC Socket,Relay,Connector.Our parts cover such applications as commercial,industrial, and automotives areas.

We are looking forward to setting up business relationship with you and hope to provide you with the best service and solution. Let us make a better world for our industry!



Contact us

Tel: +86-755-8981 8866 Fax: +86-755-8427 6832

Email & Skype: info@chipsmall.com Web: www.chipsmall.com

Address: A1208, Overseas Decoration Building, #122 Zhenhua RD., Futian, Shenzhen, China



VM Desktop

USB multifunction controllers

Distinctive features and specifications

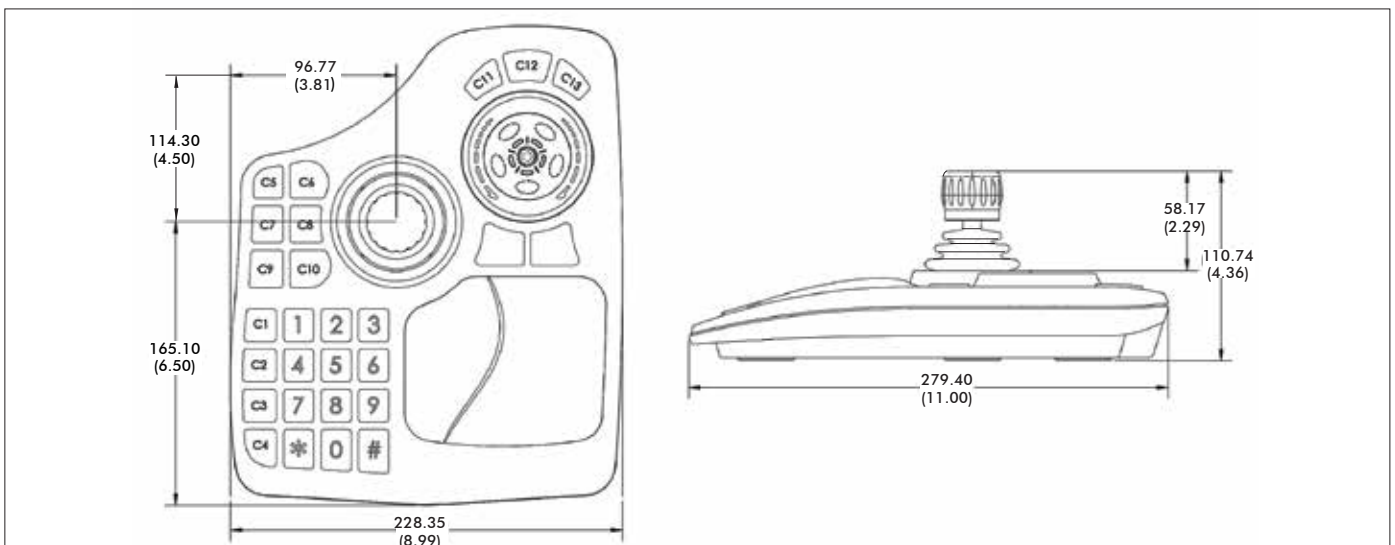


- ❑ 3 axis joystick for PTZ control
- ❑ 27 programmable pushbuttons
- ❑ USB 1.1 HID compliant “game controller”
- ❑ Jog/shuttle dial
- ❑ LED backlit and tactile pushbutton options
- ❑ Functions determined by controlled application

- Joystick performance:
 - Hall effect three axis joystick
 - X/Y/Z for positioning control
 - Joystick travel:
 - 36° for X and Y axis
 - 60° for Z axis
 - Centering: Single spring, omni-directional
 - Joystick shaft: Stainless steel
 - Joystick boot: Neoprene
 - Joystick handle: Glass filled nylon
 - Jog/shuttle performance:
 - Spring loaded shuttle ring travel $\pm 40^\circ$
 - Smooth action knob rotates 360°
 - Pushbutton performance:
 - 27 programmable pushbuttons rated for 500,000 life cycles
 - Lighting: high efficiency LED
 - Pushbutton material: silicon
 - “Mouse” pushbuttons are rated for 10 million life cycles
 - Desktop housing: High impact ABS
 - Power:
 - Via USB interface (5V DC)
 - Consumption 500mA max
- Supplied by USB ports, per USB specification

- Operating conditions:
 - -25°C to +85°C (-13°F to +185°F)
- Approvals:
 - EN 55024:1998, EN 55022,
 - FCC Part 15 Subpart B Class B
 - RoHs compliant
- Interface:
 - USB port
 - Uses standard DirectX HID drivers
 - Connects directly to workstation PC
- Connectors:
 - USB Type A Male
 - Cable Length: 2m (6ft. 6.8in)
- Systems support integration: Windows 7, Vista, XP, 2000, Windows 8, OSX, Linux
- Supported protocols:
 - USB HID 1.1 game controller
 - Direct X (Gaming Control)
 - Joystick: Three HID axis
 - Pushbuttons: 12 HID buttons
 - Uses standard DirectX HID drivers
 - Connects directly to workstation PC
- Environmental: For indoor use only
- Boxed weight: 1.33kg (47oz)

NOTE: All values are nominal.



- NOTES:
- Dimensions are in mm/(inch).
 - Product is supplied individually boxed with instruction booklet.
 - To order the VM Desktop with LED backlighting, refer to part number 100-590.
 - To order the VM Desktop with tactile switches, refer to part number 100-600.

Note: The company reserves the right to change specifications without notice.