



Chipsmall Limited consists of a professional team with an average of over 10 year of expertise in the distribution of electronic components. Based in Hongkong, we have already established firm and mutual-benefit business relationships with customers from,Europe,America and south Asia,supplying obsolete and hard-to-find components to meet their specific needs.

With the principle of "Quality Parts,Customers Priority,Honest Operation,and Considerate Service",our business mainly focus on the distribution of electronic components. Line cards we deal with include Microchip,ALPS,ROHM,Xilinx,Pulse,ON,Everlight and Freescale. Main products comprise IC,Modules,Potentiometer,IC Socket,Relay,Connector.Our parts cover such applications as commercial,industrial, and automotives areas.

We are looking forward to setting up business relationship with you and hope to provide you with the best service and solution. Let us make a better world for our industry!



## Contact us

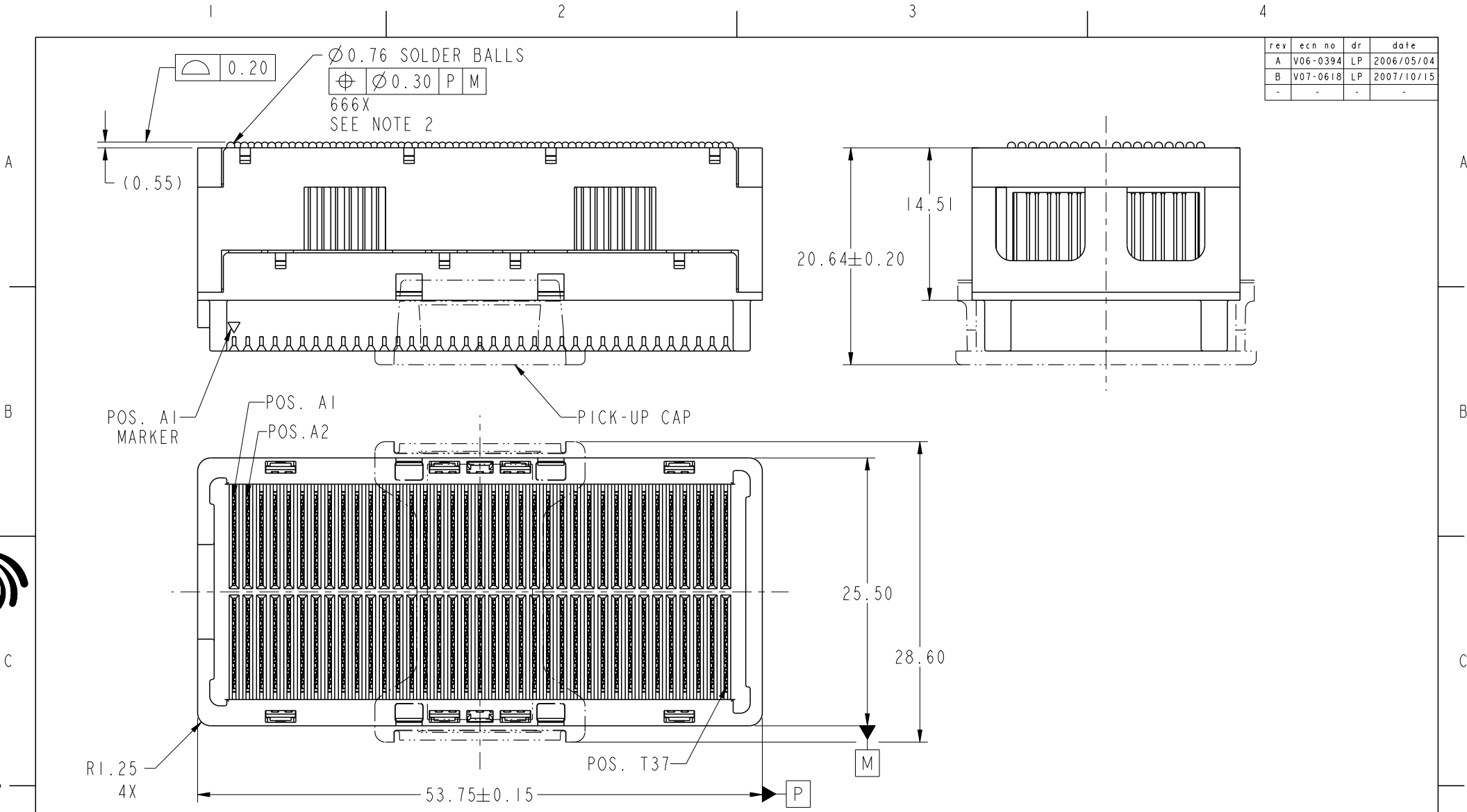
Tel: +86-755-8981 8866 Fax: +86-755-8427 6832

Email & Skype: info@chipsmall.com Web: www.chipsmall.com

Address: A1208, Overseas Decoration Building, #122 Zhenhua RD., Futian, Shenzhen, China



rev	ecn no	dr	date
A	V06-0394	LP	2006/05/04
B	V07-0618	LP	2007/10/15
-	-	-	-



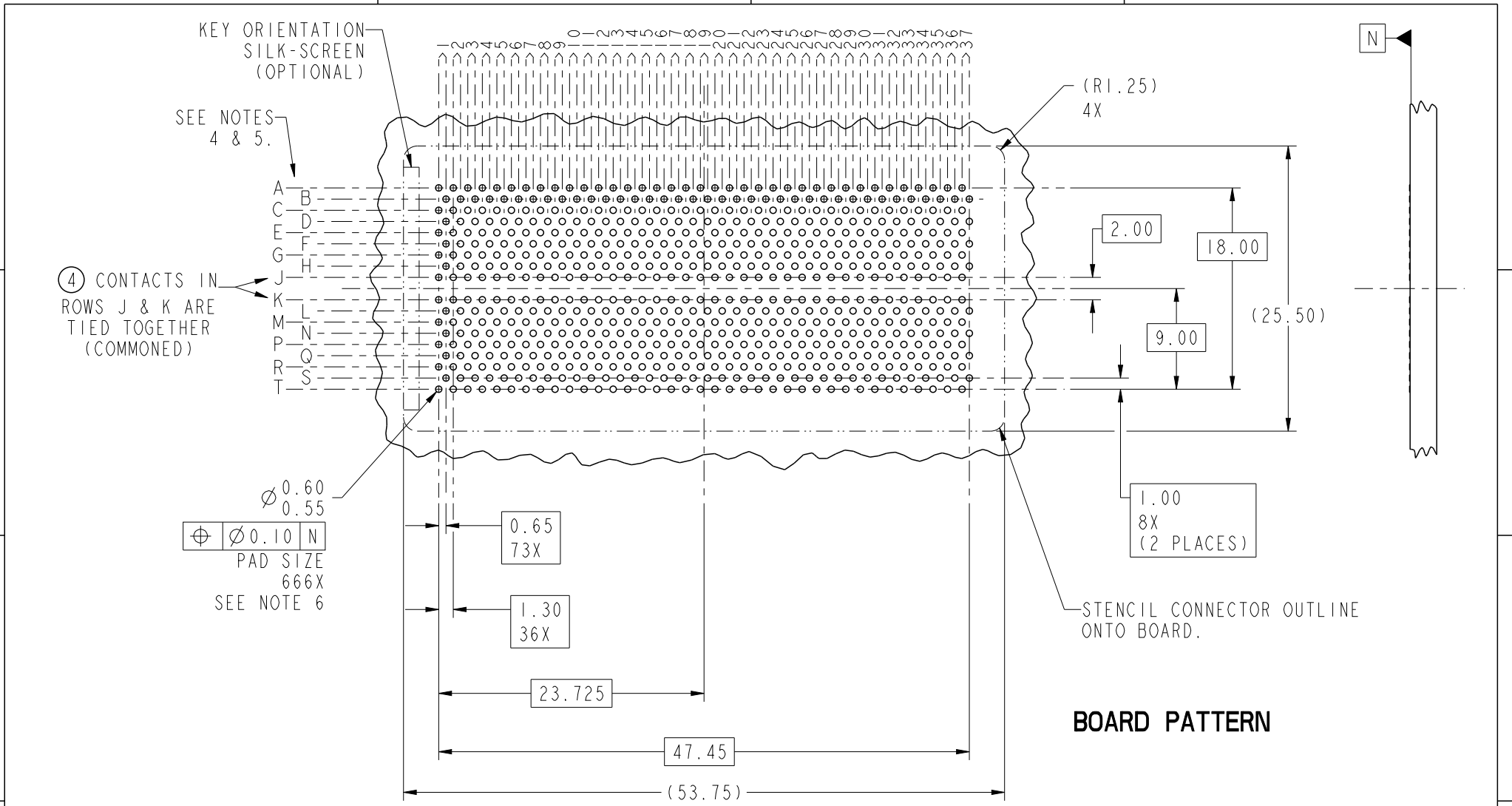
Copyright FCI.

spec ref	-	dr	Bill Lin	2010/02/02	projection	mm	size	A4	scale	1:1
tolerance std	TOLERANCES UNLESS OTHERWISE SPECIFIED	eng	Nickor Zuo	2011/06/15			ecn no		ELX-DG-003943-1	
:		chr	Alex Cao	2011/06/24			rel level		Released	
surface	3.2	appr	Pei-Ming Zheng	2011/06/27	product family		GIG-Array		rev	C
ASME Y14.5	linear	0.X	±0.30		title		GIG-Array - LOW INSERTION		10060913	sheet 1 of 5
		0.XX	±0.10		15mm RECP. ASSY. 296 SIG. POS.		Product - Customer Drw			
	angular	0°	±2°		cat. no.		-			

ProE File - REV C - 2009-06-09



Copyright FCI.



$\varnothing 0.60$   
 $\varnothing 0.55$   
 $\varnothing 0.10$  N  
 PAD SIZE  
 666X  
 SEE NOTE 6

spec ref -		dr <b>Bill Lin</b> 2010/02/02		projection		size A4		scale 1:1	
tolerance std		eng <b>Nickor Zuo</b> 2011/06/15				mm		ecn no ELX-DG-003943-1	
:		chr <b>Alex Cao</b> 2011/06/24						rel level <b>Released</b>	
-		appr <b>Pei-Ming Zheng</b> 2011/06/27		product family GIG-Array				rev <b>C</b>	
surface $\sqrt{3.2}$		linear				title GIG-Array - LOW INSERTION 15mm RECP. ASSY. 296 SIG. POS.		dwg no 10060913	
		0.X $\pm 0.30$							
		0.XX $\pm 0.10$							
ASME Y14.5		angular		www.fci.com		cat. no. -		Product - Customer Drw	
		0.XXX $\pm 0.05$						sheet 2 of 5	
		0° $\pm 2°$							

ProjE File - REV C - 2009-06-09

1

2

3

4

A

B

C

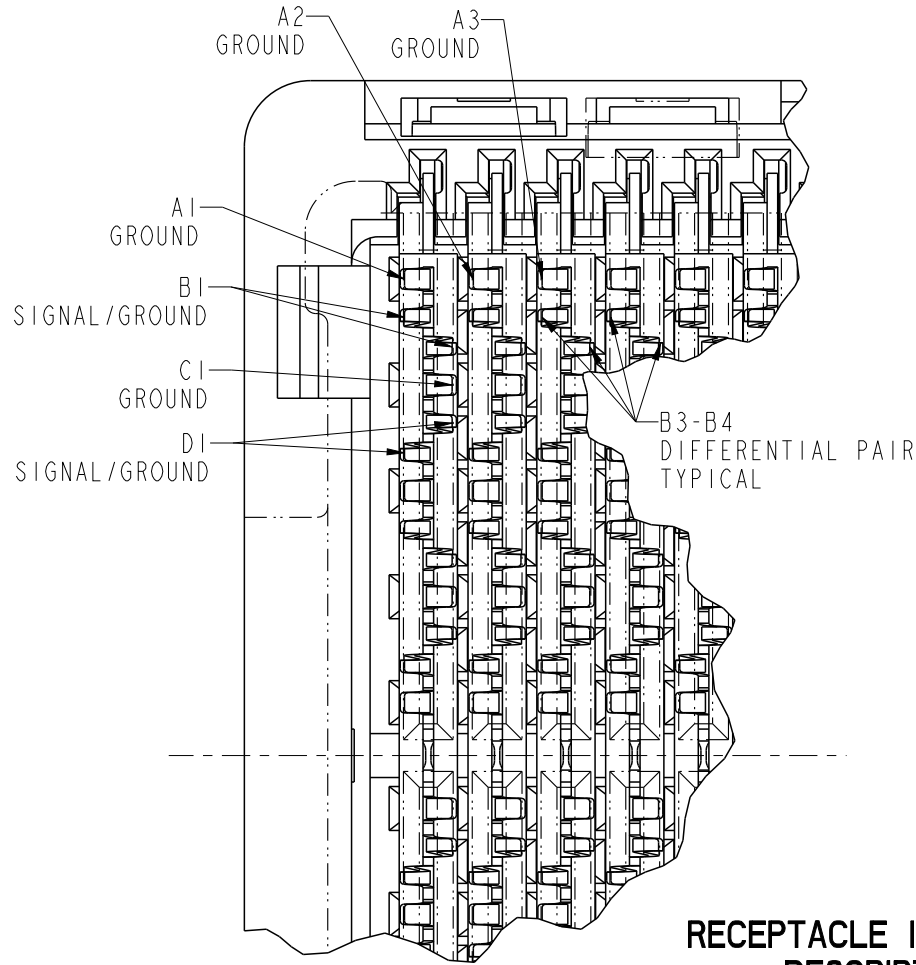
D

A

B

C

D



**RECEPTACLE INTERFACE DESCRIPTION**



Copyright FCI.

spec ref		-		dr	Bill Lin	2010/02/02	projection 	mm 	size	A4	scale	1:1
tolerance std		TOLERANCES UNLESS OTHERWISE SPECIFIED		eng	Nickor Zuo	2011/06/15			ecn no	ELX-DG-003943-1		
-				chr	Alex Cao	2011/06/24				rel level		Released
surface		3.2 	linear	0.X	±0.30	FCI 	product family	GIG-Array		rev	10060913	C
ASME Y14.5			angular	0°	±2°			www.fci.com	cat. no.			

ProE File - REV C - 2009-06-09

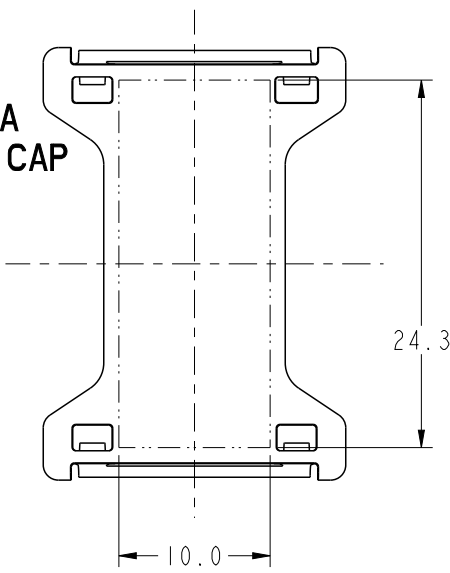
1

2

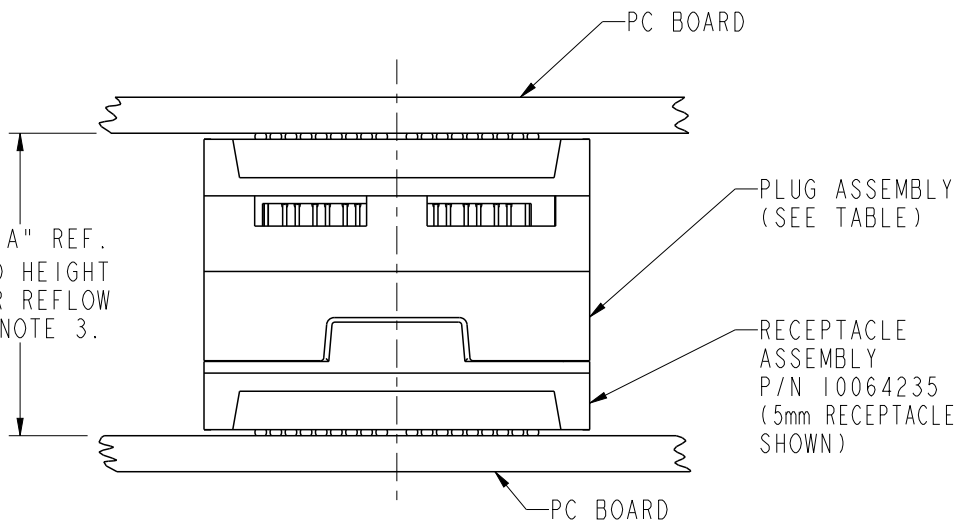
3

4

**FLAT AREA  
FOR PICK-UP CAP**  
SCALE 2:1



DIM "A" REF.  
MATED HEIGHT  
AFTER REFLOW  
SEE NOTE 3.



**END VIEW OF MATED CONNECTORS**  
SCALE 2:1

DIM. "A"	PLUG ASSEMBLY P/N
25	55720
27	10026804
28	10055143
30	55700
35	55727
40	10054784



Copyright FCI.

spec ref -		dr <b>Bill Lin</b> 2010/02/02		projection 	mm 	size A4	scale 1:1	
tolerance std		eng <b>Nickor Zuo</b> 2011/06/15				ecn no ELX-DG-003943-1		
:		chr <b>Alex Cao</b> 2011/06/24				rel level <b>Released</b>		
-		appr <b>Pei-Ming Zheng</b> 2011/06/27		product family GIG-Array		rev		
surface $\sqrt{3.2}$ ASME Y14.5	linear	0.X	$\pm 0.30$		title GIG-Array - LOW INSERTION 15mm RECP. ASSY. 296 SIG. POS.	dwg no 10060913	C	
		0.XX	$\pm 0.10$					
		0.XXX	$\pm 0.05$					
	angular	0°	$\pm 2^\circ$	www.fci.com	cat. no. -	Product - Customer Drw	sheet 4 of 5	

ProvE File - REV C - 2009-06-09

PRODUCT NUMBER	SOLDER BALL COMPOSITION	CONTACT PLATING PERFORMANCE LEVEL
10060913-001	STANDARD (EUTECTIC)	PERFORMANCE-BASED PLATING, QUALIFIED TO MEET THE REQUIREMENTS OF FCI PRODUCT SPECIFICATION GS-12-192, INCLUDING TELCORDIA CENTRAL OFFICE  Au over Ni
10060913-001LF	LEADFREE	
10060913-201	STANDARD (EUTECTIC)	
10060913-201LF	LEADFREE	

**NOTES:**

- ① MATERIAL:  
HOUSING: LCP  
CONTACT: COPPER ALLOY  
PLATING (CONTACT): Au OVER Ni.  
UL RATING: 94 V-0  
SOLDBALL: (SEE TABLE) EUTECTIC SnPb OR LEAD FREE 95.5 Sn/4Ag/0.5Cu.
- ② SOLDER BALLS WILL NOT BE PERFECT SPHERICAL SHAPE DUE TO REFLOW ATTACHMENT.
- ③ MATED HEIGHT EFFECTED BY CUSTOMERS' PCB PAD SIZE, PLATING, SOLDER REFLOW PROFILE & SOLDER PASTE.
- ④ CONTACTS IN ROWS A,C,E,G,J,K,M,P,R AND T ARE SINGLE BEAM CONTACTS USED AS GROUND PINS.  
(NOTE: CONTACTS IN ROWS J & K ARE TIED TOGETHER [COMMONED])
- ⑤ CONTACTS IN ROWS B,D,F,H,L,N,Q AND S ARE DUAL BEAM CONTACTS, TYPICALLY USED AS SIGNAL PINS.
- ⑥ SPECIFIED POSITIONAL TOLERANCE DEFINES PAD TO PAD LOCATION WITHIN LAND PATTERN. POSITIONAL TOLERANCE OF LAND PATTERN TO FUDICIAL MARKS OR PCB DATUMS SHALL BE DEFINED BY CUSTOMER. FOR RECOMMENDED PRODUCT APPLICATION AND PCB DESIGN DETAILS, SEE DOC. NO. GS-20-016.
- ⑦ FOR PROPER APPLICATION FOLLOW FCI APPLICATION SPECIFICATION GS-20-033. LEAD FREE SOLDER BALLS WILL NOT SOLDER PROPERLY IN A LEADED SOLDER PROCESS DUE TO A HIGHER REFLOW TEMPERATURE. LEADFREE PRODUCT IS THEREFORE NOT BACKWARDS COMPATIBLE WITH LEADED OR SOME SOLDERING APPLICATIONS. REFERENCE FCI APPLICATION SPECIFICATION.
- ⑧ THIS PRODUCT MEETS THE EUROPEAN UNION DIRECTIVES AND OTHER COUNTRY REGULATIONS AS DESCRIBED IN GS-22-008. PRODUCT MEETING THIS DIRECTIVE IS IDENTIFIED IN THE CODE NUMBER MARKED ON EACH PART BY HAVING AN "X" IN THE SEVENTH CHARACTER POSITION.

spec ref	-	dr	Bill Lin	2010/02/02	projection 	mm 	size	A4	scale	1:1			
tolerance std	TOLERANCES UNLESS OTHERWISE SPECIFIED	eng	Nickor Zuo	2011/06/15			ecn no	ELX-DG-003943-1					
:		chr	Alex Cao	2011/06/24			product family	GIG-Array		rel level	Released		
surface	3.2 	appr	Pei-Ming Zheng	2011/06/27	product family	GIG-Array		rel level	Released				
ASME Y14.5		linear	0.X	±0.30		title	GIG-Array - LOW INSERTION			dwg no	10060913	rev	C
		0.XX	±0.10	15mm RECP. ASSY. 296 SIG. POS.		cat. no.	-	Product - Customer Drw	sheet 5 of 5				
	angular	0°	±2°	www.fci.com									