



Chipsmall Limited consists of a professional team with an average of over 10 year of expertise in the distribution of electronic components. Based in Hongkong, we have already established firm and mutual-benefit business relationships with customers from,Europe,America and south Asia,supplying obsolete and hard-to-find components to meet their specific needs.

With the principle of “Quality Parts,Customers Priority,Honest Operation,and Considerate Service”,our business mainly focus on the distribution of electronic components. Line cards we deal with include Microchip,ALPS,ROHM,Xilinx,Pulse,ON,Everlight and Freescale. Main products comprise IC,Modules,Potentiometer,IC Socket,Relay,Connector.Our parts cover such applications as commercial,industrial, and automotives areas.

We are looking forward to setting up business relationship with you and hope to provide you with the best service and solution. Let us make a better world for our industry!



Contact us

Tel: +86-755-8981 8866 Fax: +86-755-8427 6832

Email & Skype: info@chipsmall.com Web: www.chipsmall.com

Address: A1208, Overseas Decoration Building, #122 Zhenhua RD., Futian, Shenzhen, China

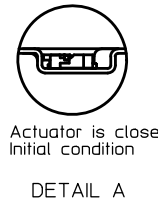
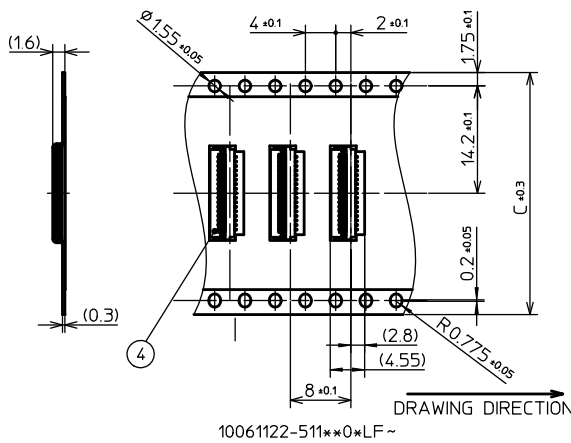
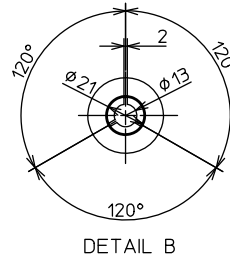
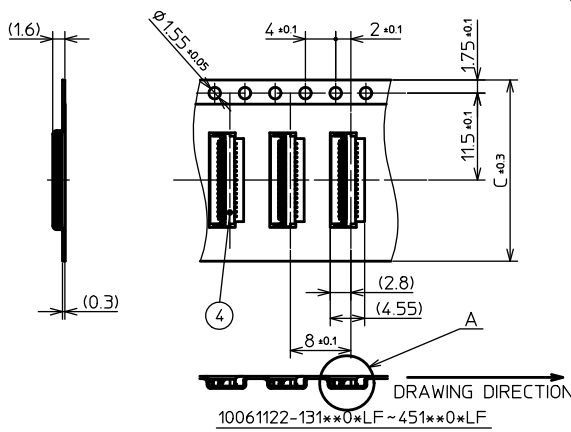
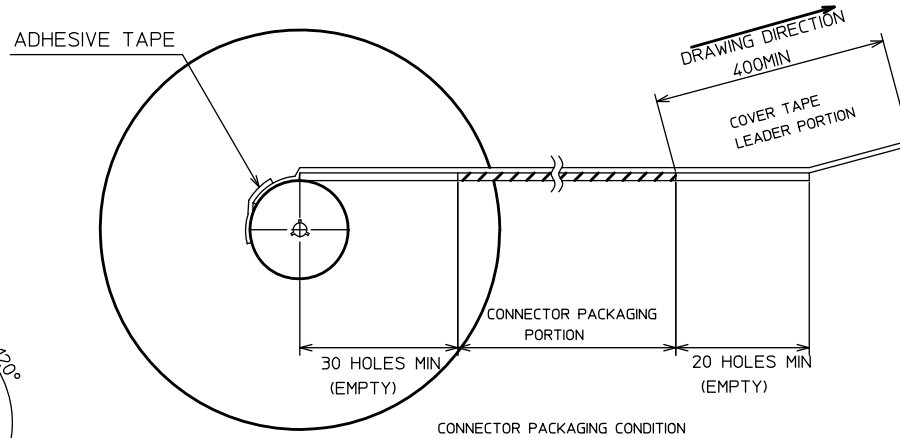
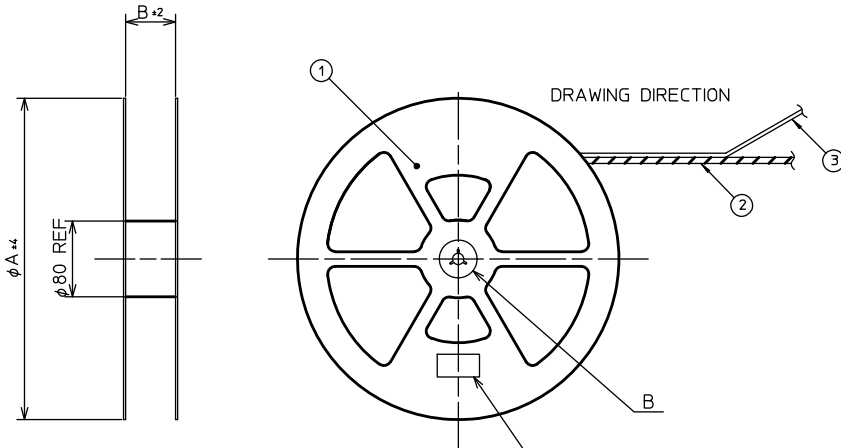


PRODUCT NO

10061122-**-**1**0*LF

EMBOSS TAPE	DIMENSIONS		
	φ A	B	C
10061122-131**0*LF~451**0*LF	φ330	25.5	24
10061122-511**0*LF~		33.5	32

PT.NO.	PARTS NAME	PRODUCT NO.	MATERIAL	Q'TY	NOTE
1	REEL		POLYSTYRENE	1	COLOR:WHITE,ELECTRIFICATION PREVENTION PROCESSING
2	EMBOSS TAPE		PP OR PET	1	ELECTRIFICATION PREVENTION PROCESSING
3	COVER TAPE		POLYESTER		
4	CONNECTOR	10061122-**-**1**0*LF	10061122 SHEET 2,3	5000	
		10061122-**-**1**HLF	10061122 SHEET 4,5 6,7		



NOTE
 1.THIS ARTICLE CARRIES OUT THE EMBOSS TAPE PACKAGE OF THE P/N10061122 SERIES CONNECTOR
 2.THE SHAPE AND DIMENSION OF THIS ARTICLE ARE BASED ON JIS C 0806 (TAPING OF ELECTRONIC PARTS(SURFACE MOUNTED DEVICE))

P/N COMPOSITION
 10061122-**-**1**0*LF

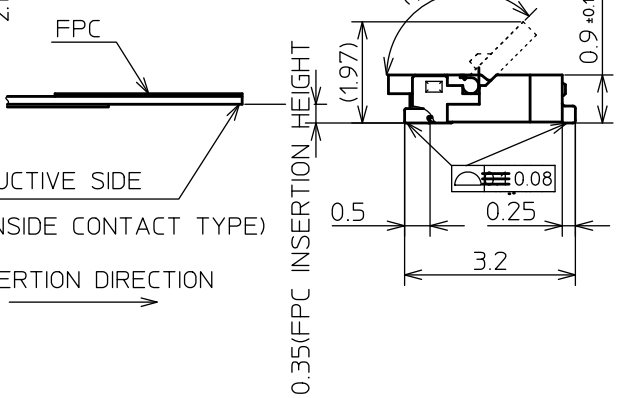
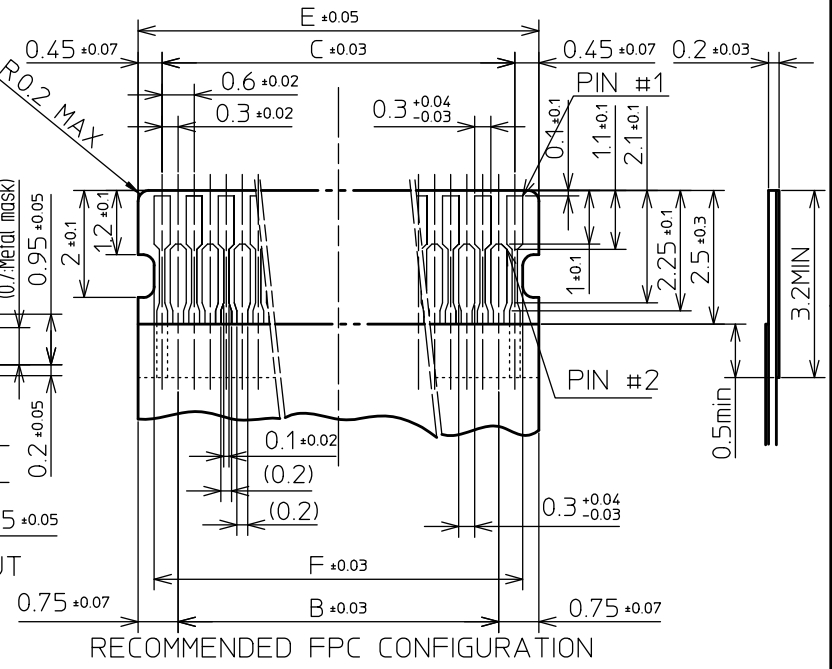
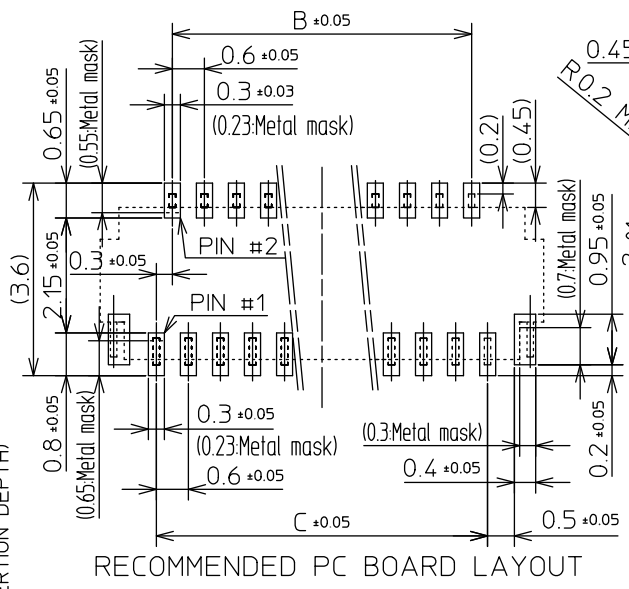
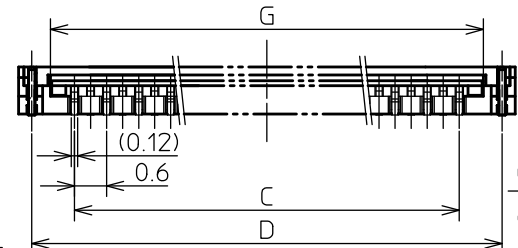
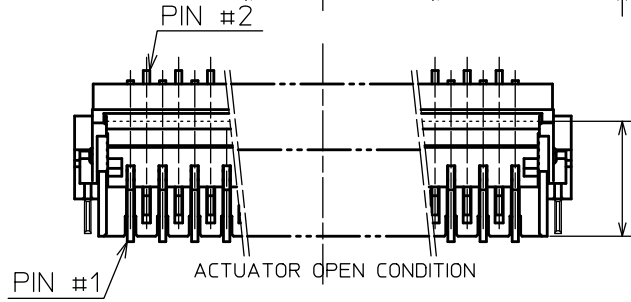
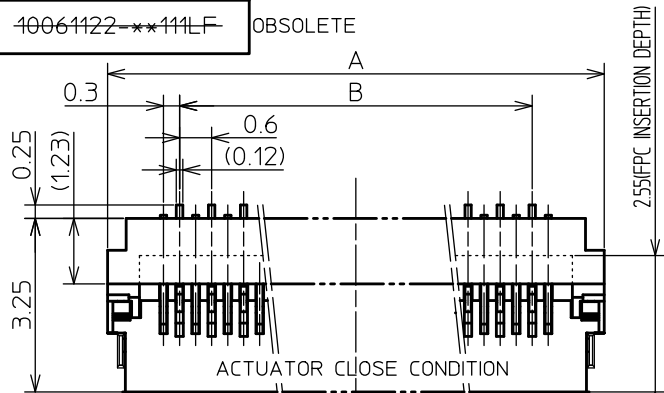
- HOUSING MATERIAL 1E: NONE-HALOGEN-FREE-RESIN 2H: HALOGEN FREE RESIN
- LEAD FREE
- PACKAGING FORM (E-PLASTIC REEL/EMBOSS TAPE PACKAGE)
- EMBOSSING TAPE PACKAGE 0: 8mm PITCH
- PLATING SPEC 1: AU PLATING
- MOUNTING 1: SMT/WITH CABLE LOCK 2: SMT/WITHOUT CABLE LOCK 3: SMT/WITH CABLE LOCK/WITH ACTUATOR LOCK 4: SMT/WITHOUT CABLE LOCK/WITH ACTUATOR LOCK
- CONTACT SIDE 1: DOWN SIDE
- NO OF POSITION
- SERIES NAME

mat'l. code		surface	tolerance	projection	product family	CODE
		ISO 1302	ISO 406 ISO 101		587F (YLL-D)	JP
lfr	description	ech no	dr	date	title	
T	REVISED	ELX-J-20610	TJ	2015-04-17	0.3mm PITCH FPC CONNECTOR	
S	REVISED	ELX-J-14161	TJ	2013-03-05	DOWN CONTACT TYPE ET PACKAGING	
R	REVISED	ELX-J-0246	TJ	2012-08-31		
P	REVISED	J10-0280	TJ	2011-12-14	dwg no	sheet of
N	REVISED	J10-0268	TJ	2010-10-12	10F37	A2
M	REVISED	J10-0185	TJ	2010-07-06	10061122	
L	REVISED	J10-0073	TJ	2010-05-17	type	Product Customer
sheet	revision	T	N	G	A	C
index	size	1	2	3	4	5

PRODUCT NO.

40061122-**-**111LF

OBSOLETE



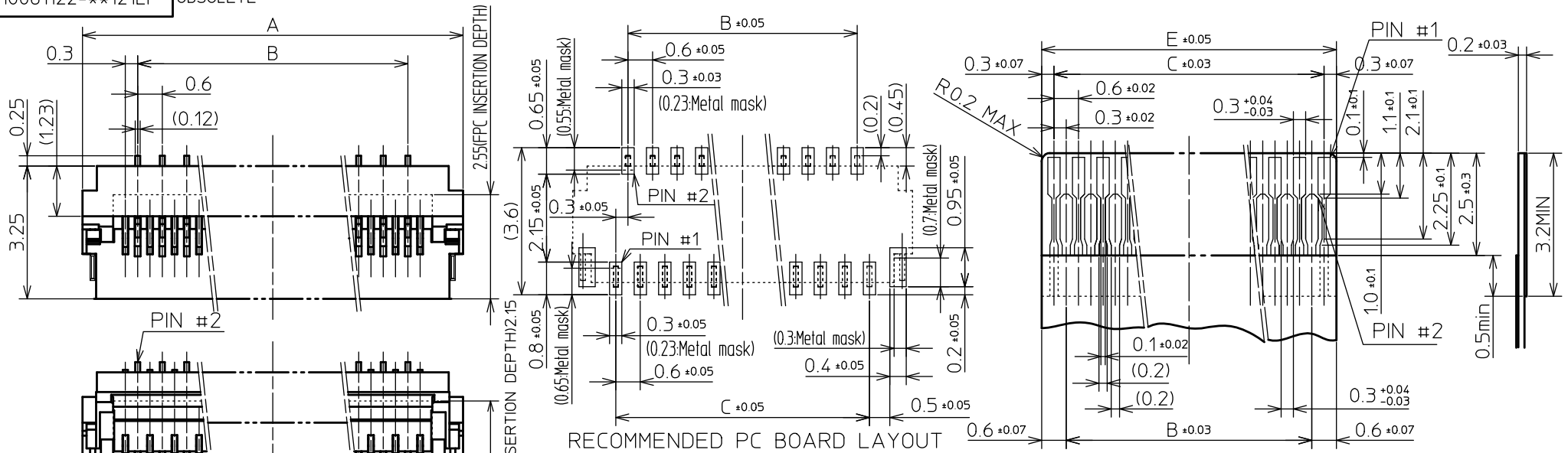
NOTE
 1.MATERIAL
 1)HOUSING:THERMOPLASTIC RESIN,UL94V-0,NATURAL
 2)ACTUATOR:THERMOPLASTIC RESIN,UL94V-0,BLACK
 3)CONTACT:COPPER ALLOY
 4)FIXING TAB:COPPER ALLOY
 2.FINISH
 1)CONTACT:ALL OVER Ni (WITH Ni BARRIER)
 (CONTACT AREA)Au
 (SOLDER TAIL AREA)Au
 Sn PLATING
 2)FIXING TAB:ALL OVER Ni
 Sn PLATING
 3.CO-PLANARITY:±0.08MAX
 4.THICKNESS OF A METAL MASK:0.1mm
 5.FPC
 ADHESIVE METHOD OF SUPPORTING TAP SHALL BE HEAT CRIMPING
 METHOD AND THERMOSETTING ADHESIVE MATERIAL SHALL BE USED.
 6.PRODUCT
 RECOMMENDED PCB LAYOUT AND FPC AREA THE SAME AS
 10064555-**-2110ELFY(LL-UPPER CONTACT TYPE)
 7.OTHER
 THIS PRODUCT MEETS EUROPEAN UNION DIRECTIVES AND OTHER
 COUNTRY REGULATIONSAS DESCRIBED IN GS-22-008

P/N	A	B	C	D	E	F	G	
40061122-13111LF	5.7	3.0	3.6	5.2	4.5	3.9	4.53	OBSOLETE
40061122-15111LF	6.3	3.6	4.2	5.8	5.1	4.5	5.13	OBSOLETE
40061122-17111LF	6.9	4.2	4.8	6.4	5.7	5.1	5.73	OBSOLETE
40061122-21111LF	8.1	5.4	6.0	7.6	6.9	6.3	6.93	OBSOLETE
40061122-23111LF	8.7	6.0	6.6	8.2	7.5	6.9	7.53	OBSOLETE
40061122-25111LF	9.3	6.6	7.2	8.8	8.1	7.5	8.13	OBSOLETE
40061122-33111LF	11.7	9.0	9.6	11.2	10.5	9.9	10.53	OBSOLETE
40061122-35111LF	12.3	9.6	10.2	11.8	11.1	10.5	11.13	OBSOLETE
40061122-39111LF	13.5	10.8	11.4	13.0	12.3	11.7	12.33	OBSOLETE
40061122-41111LF	14.1	11.4	12.0	13.6	12.9	12.3	12.93	OBSOLETE

mat'l. code		surface		tolerance		projection		product family		CODE	
		ISO 1302		ISO 406 ISO 1101		MM		587F		JP	
ltr		description		ecn no		date		title			
N		REVISED		ELX-J-01245-1		T.I		0.3mm PITCH FPC CONNECTOR			
M		REVISED		J11-0280		T.I		DOWN CONTACT TYPE			
L		REVISED		J10-0185		T.I					
K		REVISED		J08-0430		K.O					
J		REVISED		J08-0315		K.O					
H		REVISED		J08-0189		K.O					
G		REVISED		J07-0399		K.O					
sheet		revision						dwg no		sheet of	
index		sheet						10061122		2 of 7	
								type		Product Customer Drawing	
								Rev.		N	

PRODUCT NO.

40061122-***121LF OBSOLETE



NOTE

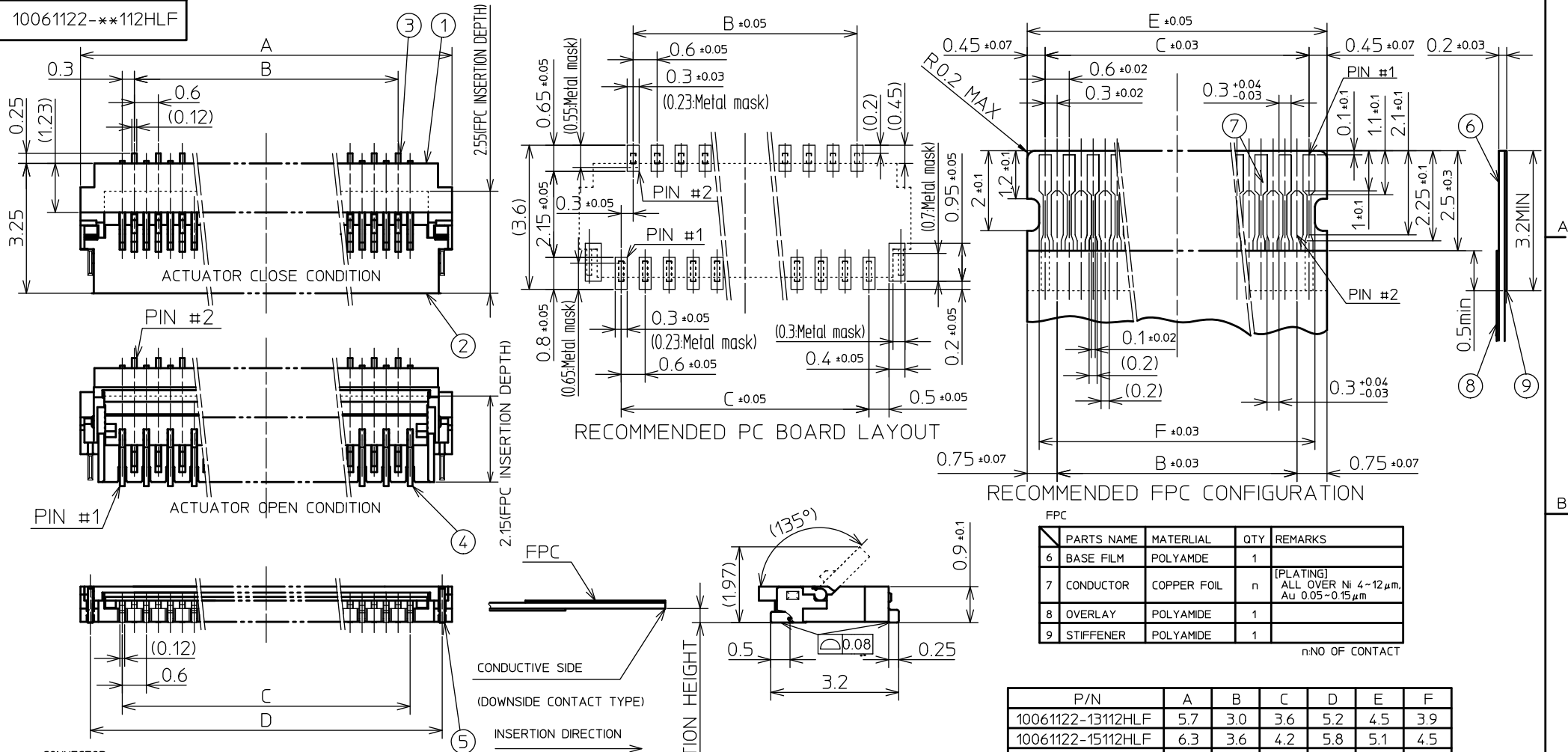
- MATERIAL
 - HOUSING:THERMOPLASTIC RESIN,UL94V-0,NATURAL
 - ACTUATOR:THERMOPLASTIC RESIN,UL94V-0,BLACK
 - CONTACT: COPPER ALLOY
 - FIXING TAB: COPPER ALLOY
- FINISH
 - CONTACT: ALL OVER Ni (WITH Ni BARRIER)
(CONTACT AREA)Au
(SOLDER TAIL AREA)Au
 - FIXING TAB: ALL OVER Ni
Sn PLATING
- CO-PLANARITY ± 0.08 MM
- THICKNESS OF A METAL MASK: 0.1mm
- FPC
ADHESIVE METHOD OF SUPPORTING TAP SHALL BE HEAT CRIMPING METHOD AND THERMOSETTING ADHESIVE MATERIAL SHALL BE USED.
- PRODUCT
RECOMMENDED PCB LAYOUT AND FPC AREA THE SAME AS 10064555-***2210ELFY(L-UPPER CONTACT TYPE)
- OTHER
THIS PRODUCT MEETS EUROPEAN UNION DIRECTIVES AND OTHER COUNTRY REGULATIONS AS DESCRIBED IN GS-22-008

P/N	A	B	C	D	E	
40061122-45121LF	6.3	3.6	4.2	5.8	4.8	OBSOLETE
40061122-21121LF	8.1	5.4	6.0	7.6	6.6	OBSOLETE
40061122-23121LF	8.7	6.0	6.6	8.2	7.2	OBSOLETE
40061122-25121LF	9.3	6.6	7.2	8.8	7.8	OBSOLETE
40061122-33121LF	11.7	9.0	9.6	11.2	10.2	OBSOLETE
40061122-35121LF	12.3	9.6	10.2	11.8	10.8	OBSOLETE
40061122-37121LF	12.9	10.2	10.8	12.4	11.4	OBSOLETE
40061122-39121LF	13.5	10.8	11.4	13.0	12.0	OBSOLETE
40061122-41121LF	14.1	11.4	12.0	13.6	12.6	OBSOLETE
40061122-43121LF	14.7	12.0	12.6	14.2	13.2	OBSOLETE
40061122-45121LF	15.3	12.6	13.2	14.8	13.8	OBSOLETE

mat'l. code				surface		tolerance		projection		product family		CODE
				ISO 1302		ISO 406 ISO 1101				587F		JP
ltr description ecn no dr date				tolerances unless otherwise specified				title				
G REVISED ELX-J-01245-1 T.I. 2012-08-31				angles linear ± 0.2				MM		0.3mm PITCH FPC CONNECTOR DOWN CONTACT TYPE		
F REVISED J11-0280 T.I. 2011-12-14								scale				
E REVISED J10-0185 T.I. 2010-7-6												
D REVISED J10-0073 T.I. 2010-5-17				dr		2010-11-10				dwg no sheet of size		
C REVISED J08-0430 K.O. 2008-11-10				enrg		TISHISHITA 2012-08-31				10061122 3 of 37 A3		
B REVISED J08-0189 K.O. 2008-4-28				chr		H.Suzuki 2012-08-31				type Product Customer Drawing		
A RELEASED J07-0399 K.O. 28/Sep/07				appd		M.Kajiura 2012-08-31						
sheet index		revision sheet										Rev. G

PRODUCT NO.

10061122-**112HLF



FPC

NO	PARTS NAME	MATERIAL	QTY	REMARKS
6	BASE FILM	POLYAMIDE	1	
7	CONDUCTOR	COPPER FOIL	n	[PLATING] ALL OVER Ni 4~12 μm, Au 0.05~0.15 μm
8	OVERLAY	POLYAMIDE	1	
9	STIFFENER	POLYAMIDE	1	

n:NO OF CONTACT

P/N	A	B	C	D	E	F
10061122-13112HLF	5.7	3.0	3.6	5.2	4.5	3.9
10061122-15112HLF	6.3	3.6	4.2	5.8	5.1	4.5
10061122-17112HLF	6.9	4.2	4.8	6.4	5.7	5.1
10061122-21112HLF	8.1	5.4	6.0	7.6	6.9	6.3
10061122-23112HLF	8.7	6.0	6.6	8.2	7.5	6.9
10061122-25112HLF	9.3	6.6	7.2	8.8	8.1	7.5

*For the corresponding position, please make an inquire to sales person in our company.

CONNECTOR

NO	PARTS NAME	MATERIAL	QTY	REMARKS
1	HOUSING	TERMOPLASTIC HALOGEN FREE RESIN	1	UL94V-0.COLOR:BLACK
2	ACTUATOR	TERMOPLASTIC HALOGEN FREE RESIN	1	UL94V-0.COLOR:NATURAL
3	CONTACT A	COPPER ALLOY	(n-1)/2	[PLATING] ALL OVER Ni(WITH Ni BARRIER) CONTACT AREA: Au SOLDER TAIL AREA: Au
4	CONTACT B	COPPER ALLOY	(n+1)/2	
5	FIXING TAB	COPPER ALLOY	2	[PLATING] ALL OVER Ni,Sn

n:NO OF CONTACT

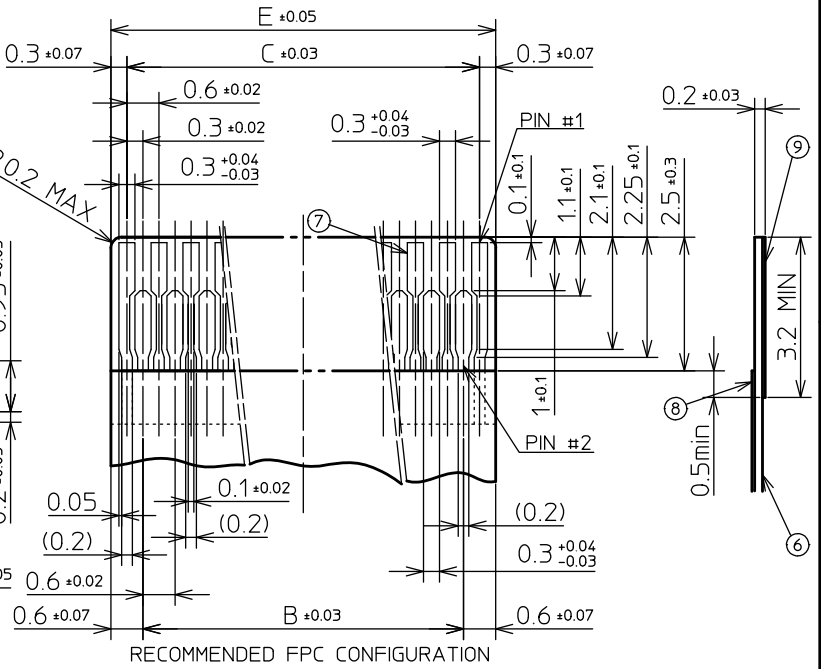
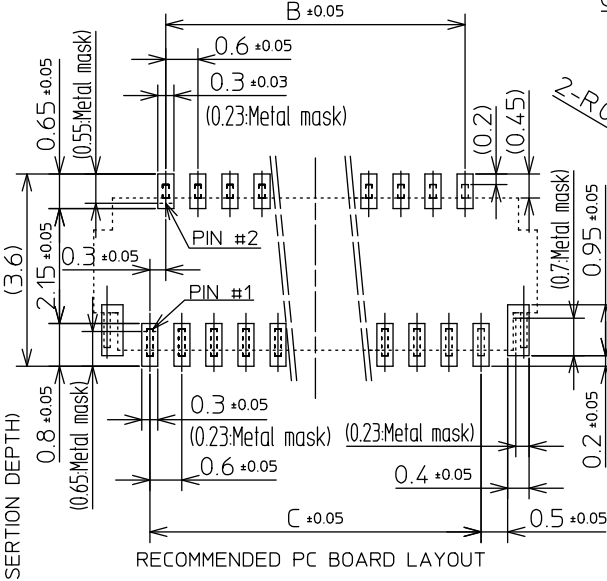
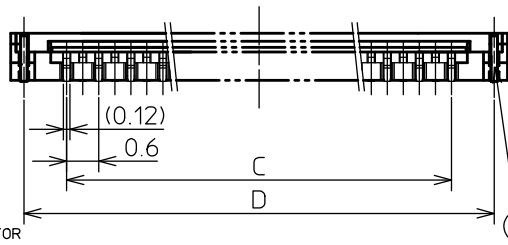
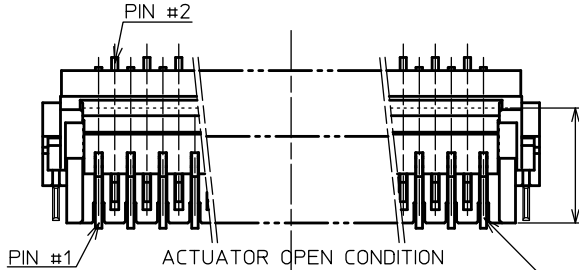
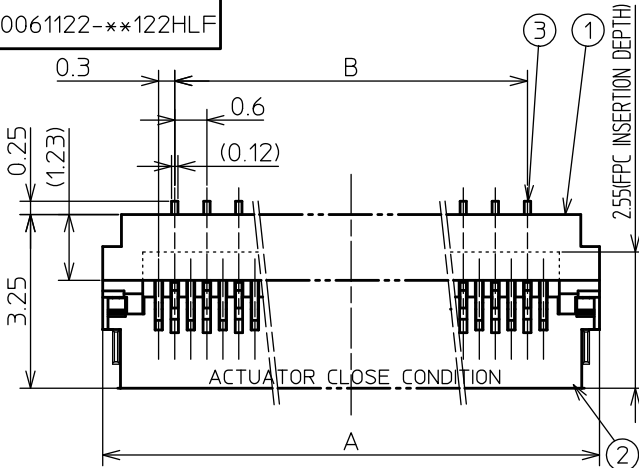
NOTE

- 1.CO-PLANARITY:0.08mmMAX
- 2.THICKNESS OF A METAL MASK:0.1mm
- 3.FPC
Adhesive method of supporting tape shall be heat crimping method and thermosetting adhesive material shall be used.
- 4.PRODUCT
Recommended PCB layout and FPC area the same as 10064555-**2110*LF(YLL-Upper contact type)
- 5.OTHER
This product meets European Union Directives and other country regulation as described in GS-22-008

mat'l. code		surface ISO 1302		tolerance ISO 406 ISO 1101		projection		product family 587F (YLL-D)		CODE JP	
l/r	description	ecn no	dr	date		tolerances unless otherwise specified		title			
A	Released	J10-0185	T.I.	2010-07-06		±0.2		0.3mm PITCH FPC CONNECTOR DOWN CONTACT TYPE			
angles		linear		±2'		MM		scale			
dr		T.ISHISHITA		2010-07-06		FCJ		dwg no		sheet of size	
enr		Y.Kameda		2010-07-06				10061122		4 of 7 A3	
appd		M.Kajiura		2010-07-06				type		Product Customer Drawing	
sheet index	revision sheet									Rev. A	

PRODUCT NO

10061122-**-**122HLF



FPC			
PARTS NAME	MATERIAL	QTY	REMARKS
6	BASE FILM	POLYAMDE	1
7	CONDUCTOR	COPPER FOIL	n [PLATING] ALL OVER Ni 4~12 μm, Au 0.05~0.15 μm
8	OVERLAY	POLYAMIDE	1
9	STIFFENER	POLYAMIDE	1

n: NO OF CONTACT

P/N	A	B	C	D	E
10061122-15122HLF	6.3	3.6	4.2	5.8	4.8
10061122-21122HLF	8.1	5.4	6.0	7.6	6.6
10061122-23122HLF	8.7	6.0	6.6	8.2	7.2
10061122-25122HLF	9.3	6.6	7.2	8.8	7.8

*For the corresponding position, please make an inquire to sales person in our company.

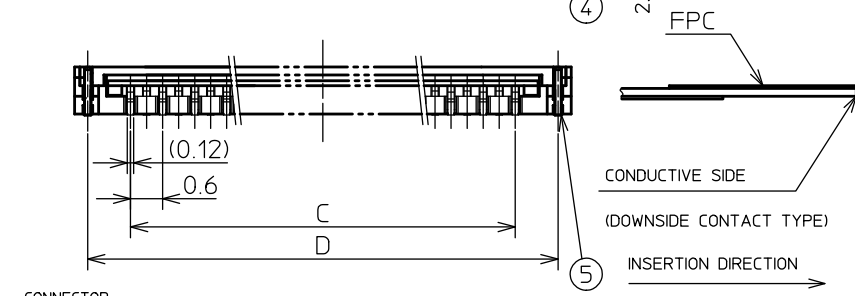
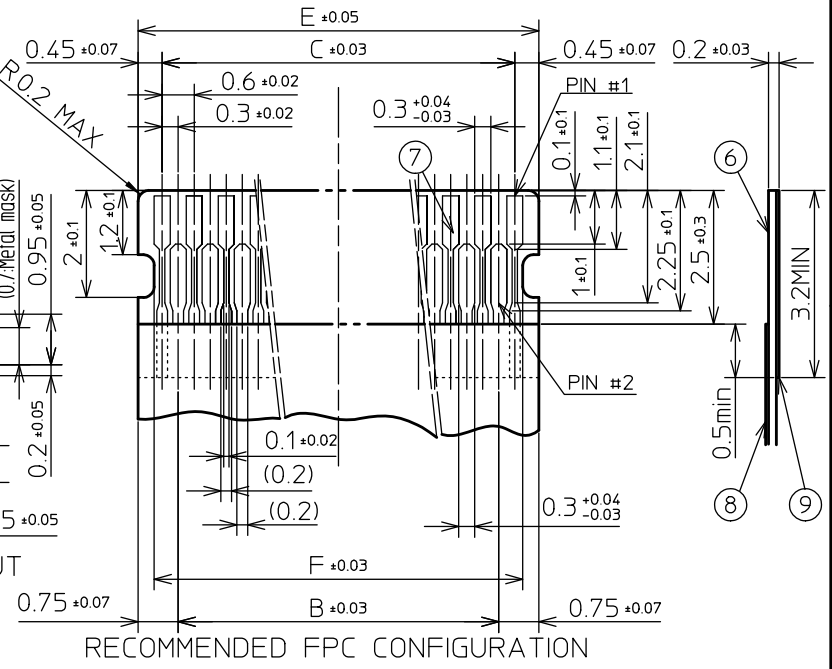
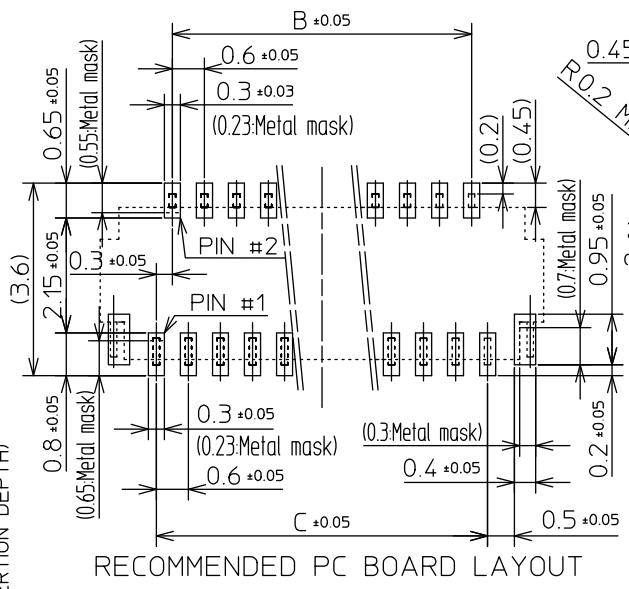
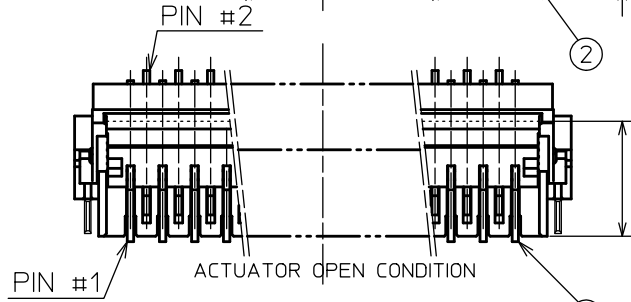
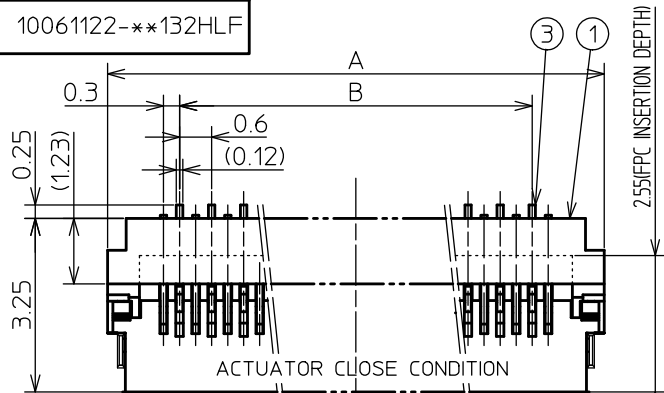
CONNECTOR					
PARTS NAME	MATERIAL	QTY	REMARKS		
1	HOUSING	TERMOPLASTIC HALOGEN FREE RESIN	1	UL94V-0,COLOR:BLACK	
2	ACTUATOR	TERMOPLASTIC HALOGEN FREE RESIN	1	UL94V-0,COLOR:NATURAL	
3	CONTACT A	COPPER ALLOY	(n-1)/2	[PLATING] ALL OVER Ni(WITH Ni BARRIER) CONTACT AREA:AU SOLDER TAIL AREA:AU	n:NO OF CONTACT
4	CONTACT B	COPPER ALLOY	(n+1)/2	[PLATING] ALL OVER Ni,Sn	
5	FIXING TAB	COPPER ALLOY	2	[PLATING] ALL OVER Ni,Sn	

NOTE
 1.CO-PLANARITY:0.08mmMAX
 2.THICKNESS OF A METAL MASK:0.1mm
 3.FPC
 Adhesive method of supporting tape shall be heat crimping method and thermosetting adhesive material shall be used.
 4.PRODUCT
 Recommended PCB layout and FPC area the same as 10064555-**-**2110*LF(YLL-Upper contact type)
 5.OTHER
 This product meets European Union Directives and other country regulation as described in GS-22-008

mat'l. code		surface ISO 1302		tolerance ISO 406 ISO 1101		projection		product family 587F (YLL-D)		CODE JP	
l/r	description	ecn no	dr	date		tolerances unless otherwise specified		title		size	
A	Released	J10-0185	T.I	2010-07-06		± 0.2		0.3mm PITCH FPC CONNECTOR DOWN CONTACT TYPE		A3	
B	Revised	ELX-J-12415	T.I	2012-08-31		linear		MM			
C	Revised	ELX-J-20618	T.I	2015-04-17		± 2'		scale			
sheet index		revision sheet		dr T.ISHISHITA 2015-04-17		engr M.Minato 2015-04-17		chr N.Sasame 2015-04-17		appd	
								dwg no 10061122		sheet of 5of7	
								type Product Customer Drawing		Rev. C	

PRODUCT NO.

10061122-**132HLF



PARTS NAME	MATERIAL	QTY	REMARKS
6	BASE FILM	POLYAMDE	1
7	CONDUCTOR	COPPER FOIL	n [PLATING] ALL OVER Ni 4~12µm, Au 0.05~0.15µm
8	OVERLAY	POLYAMIDE	1
9	STIFFENER	POLYAMIDE	1

P/N	A	B	C	D	E	F
10061122-27132HLF	9.9	7.2	7.8	9.4	8.7	8.1
10061122-29132HLF	10.5	7.8	8.4	10.0	9.3	8.7
10061122-33132HLF	11.7	9.0	9.6	11.2	10.5	9.9
10061122-35132HLF	12.3	9.6	10.2	11.8	11.1	10.5
10061122-39132HLF	13.5	10.8	11.4	13.0	12.3	11.7
10061122-41132HLF	14.1	11.4	12.0	13.6	12.9	12.3
10061122-45132HLF	15.3	12.6	13.2	14.8	14.1	13.5

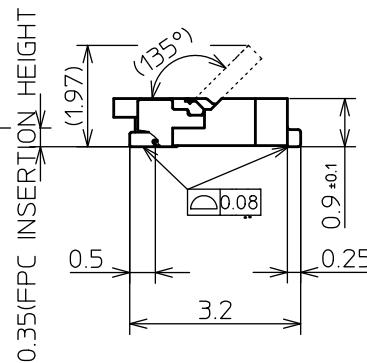
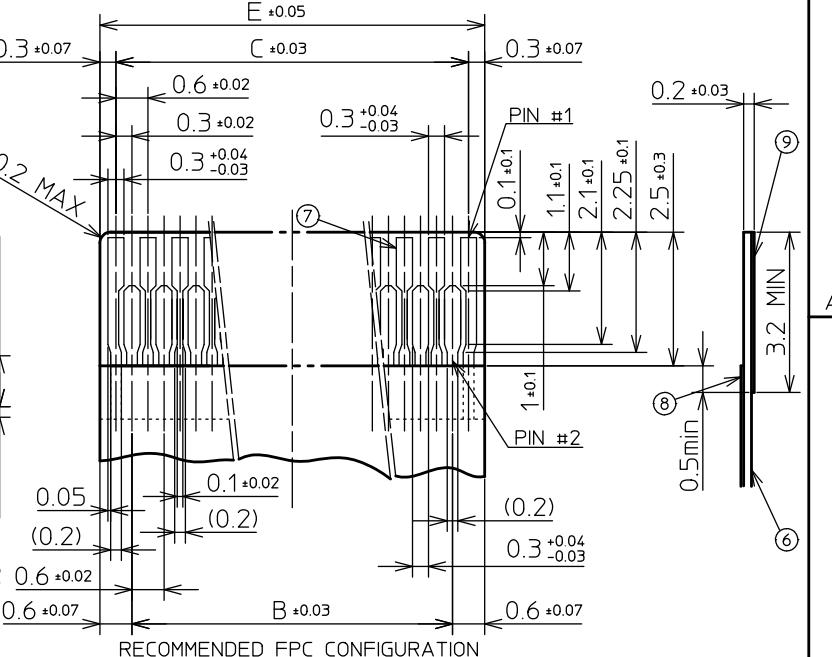
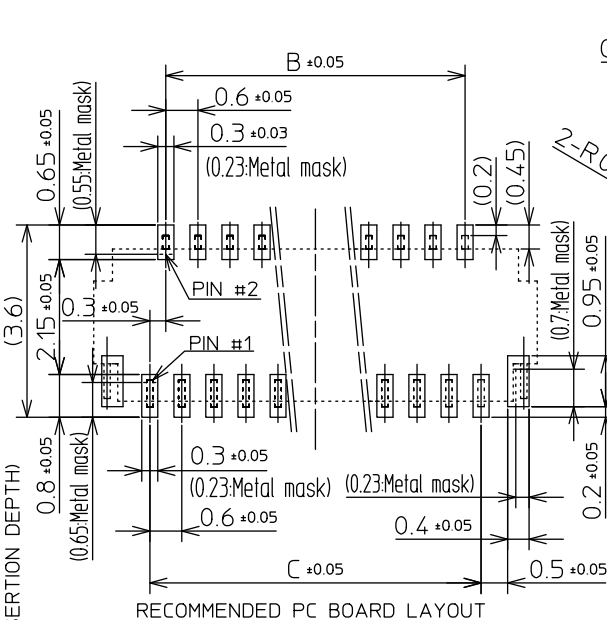
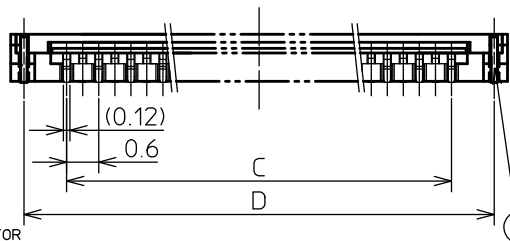
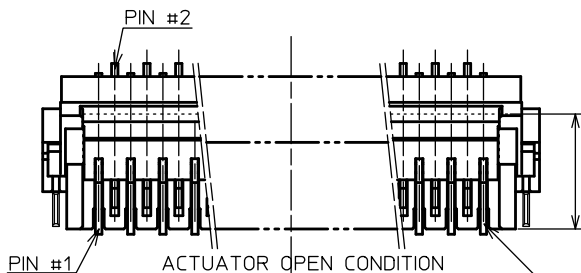
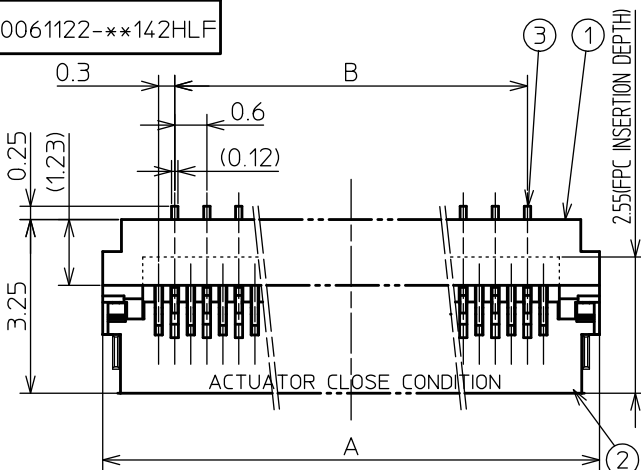
PARTS NAME	MATERIAL	QTY	REMARKS
1 HOUSING	TERMOPLASTIC HALOGEN FREE RESIN	1	UL94V-0,COLOR:BLACK
2 ACTUATOR	TERMOPLASTIC HALOGEN FREE RESIN	1	UL94V-0,COLOR:NATURAL
3 CONTACT A	COPPER ALLOY	(n-1)/2	[PLATING] ALL OVER Ni(WITH Ni BARRIER) CONTACT AREA: Au SOLDER TAIL AREA: Au
4 CONTACT B	COPPER ALLOY	(n+1)/2	[PLATING] ALL OVER Ni,Sn
5 FIXING TAB	COPPER ALLOY	2	[PLATING] ALL OVER Ni,Sn

NOTE
 1.CO-PLANARITY:0.08mmMAX
 2.THICKNESS OF A METAL MASK:0.1mm
 3.FPC
 Adhesive method of supporting tape shall be heat crimping method and thermosetting adhesive material shall be used.
 4.PRODUCT
 Recommended PCB layout and FPC area the same as 10064555-**2110*LF(YLL-Upper contact type)
 5.OTHER
 This product meets European Union Directives and other country regulation as described in GS-22-008

mat'l. code		surface ISO 1302		tolerance ISO 406 ISO 1101		projection		product family 587F (YLL-D)		CODE JP	
l/r	description	ecn no	dr	date		tolerances unless otherwise specified		title			
A	Released	J10-0185	T.I	2010-07-06		±0.2		0.3mm PITCH FPC CONNECTOR DOWN CONTACT TYPE			
B	Revised	J10-0268	T.I	2010-10-12		linear		MM			
C	Revised	ELX-J-01245-1	T.I	2012-08-31		±2'		scale			
dr		T.ISHISHITA		2012-08-31		FCJ		dwg no		sheet of size	
enr		H.Suzuki		2012-08-31		FCJ		10061122		6 of 7 A3	
chr		M.Kajijura		2012-08-31		FCJ		type		Product Customer Drawing	
appd		M.Kajijura		2012-08-31		FCJ		Rev.		C	

PRODUCT NO

10061122-**-**142HLF



FPC

PARTS NAME	MATERIAL	QTY	REMARKS
6	BASE FILM	POLYAMDE	1
7	CONDUCTOR	COPPER FOIL	n [PLATING] ALL OVER Ni 4~12μm, Au 0.05~0.15μm
8	OVERLAY	POLYAMIDE	1
9	STIFFENER	POLYAMIDE	1

n:NO OF CONTACT

P/N	A	B	C	D	E
10061122-33142HLF	11.7	9.0	9.6	11.2	10.2
10061122-39142HLF	13.5	10.8	11.4	13.0	12.0
10061122-41142HLF	14.1	11.4	12.0	13.6	12.6
10061122-43142HLF	14.7	12.0	12.6	14.2	13.2
10061122-45142HLF	15.3	12.6	13.2	14.8	13.8
10061122-51142HLF	17.1	14.4	15.0	16.6	15.6

*For the corresponding position, please make an inquire to sales person in our company.

PARTS NAME	MATERIAL	QTY	REMARKS	
1	HOUSING	TERMOPLASTIC HALOGEN FREE RESIN	1	UL94V-0,COLOR:BLACK
2	ACTUATOR	TERMOPLASTIC HALOGEN FREE RESIN	1	UL94V-0,COLOR:NATURAL
3	CONTACT A	COPPER ALLOY	(n-1)/2	[PLATING] ALL OVER Ni(WITH Ni BARRIER) CONTACT AREA:AU SOLDER TAIL AREA:AU
4	CONTACT B	COPPER ALLOY	(n+1)/2	
5	FIXING TAB	COPPER ALLOY	2	[PLATING] ALL OVER Ni,Sn

n:NO OF CONTACT

NOTE
 1.CO-PLANARITY:0.08mmMAX
 2.THICKNESS OF A METAL MASK:0.1mm
 3.FPC
 Adhesive method of supporting tape shall be heat crimping method and thermosetting adhesive material shall be used.
 4.PRODUCT
 Recommended PCB layout and FPC area the same as 10064555-**-2110*LF(YLL-Upper contact type)
 5.OTHER
 This product meets European Union Directives and other country regulation as described in GS-22-008

mat'l. code		surface ISO 1302		tolerance ISO 406 ISO 1101		projection		product family 587F (YLL-D)		CODE JP	
lfr	description	ecn no	dr	date		tolerances unless otherwise specified		title		size	
A	Released	J10-0185	T.I	2010-07-06		± 0.2		0.3mm PITCH FPC CONNECTOR DOWN CONTACT TYPE		A3	
B	Revised	ELX-J-01245-1	T.I	2012-08-31		linear		MM		sheet of	
C	Revised	ELX-J-14161-1	T.I	2013-03-05		± 2'		scale		7of7	
sheet index		revision sheet		dr T.SHISHITA 2013-03-05		engr H.Suzuki 2013-03-05		appd N.Sasame 2013-03-05		dwg no 10061122	
										type Product Customer Drawing	
										Rev. C	