



Chipsmall Limited consists of a professional team with an average of over 10 year of expertise in the distribution of electronic components. Based in Hongkong, we have already established firm and mutual-benefit business relationships with customers from,Europe,America and south Asia,supplying obsolete and hard-to-find components to meet their specific needs.

With the principle of “Quality Parts,Customers Priority,Honest Operation,and Considerate Service”,our business mainly focus on the distribution of electronic components. Line cards we deal with include Microchip,ALPS,ROHM,Xilinx,Pulse,ON,Everlight and Freescale. Main products comprise IC,Modules,Potentiometer,IC Socket,Relay,Connector.Our parts cover such applications as commercial,industrial, and automotives areas.

We are looking forward to setting up business relationship with you and hope to provide you with the best service and solution. Let us make a better world for our industry!



Contact us

Tel: +86-755-8981 8866 Fax: +86-755-8427 6832

Email & Skype: info@chipsmall.com Web: www.chipsmall.com

Address: A1208, Overseas Decoration Building, #122 Zhenhua RD., Futian, Shenzhen, China

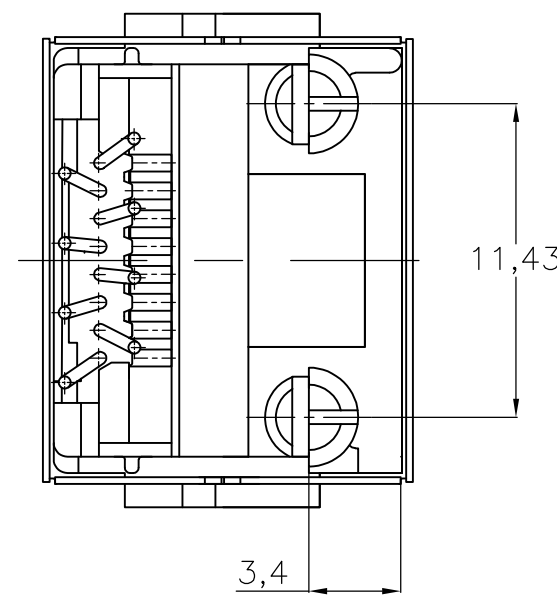
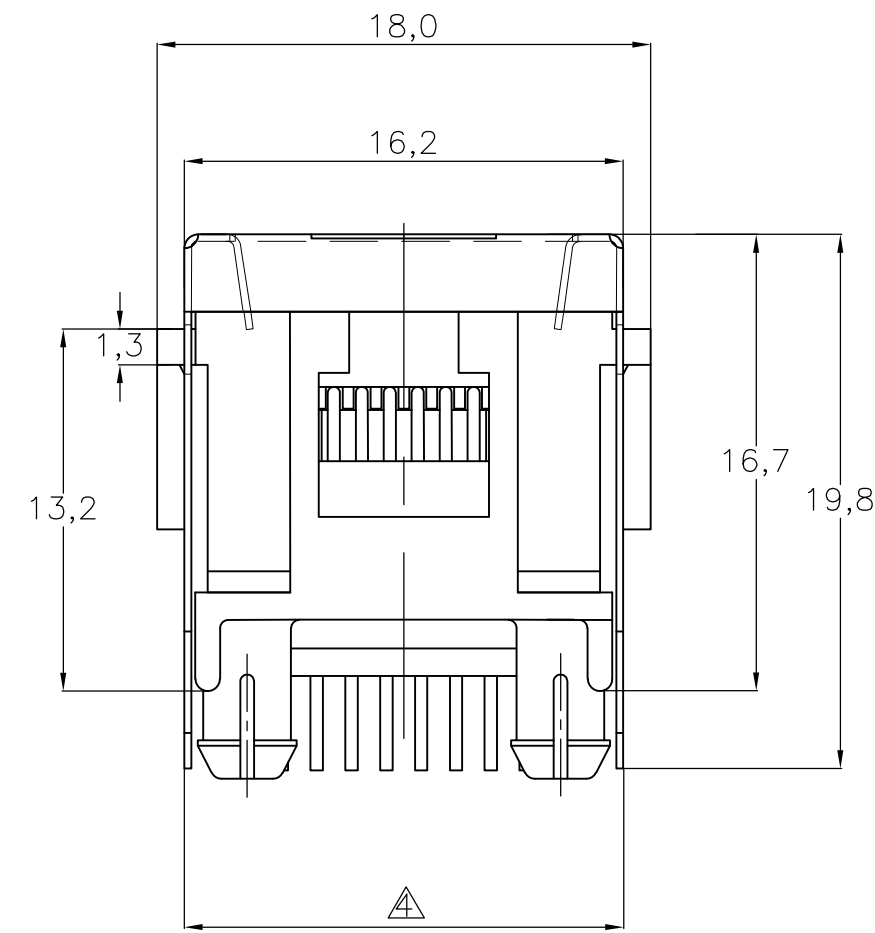
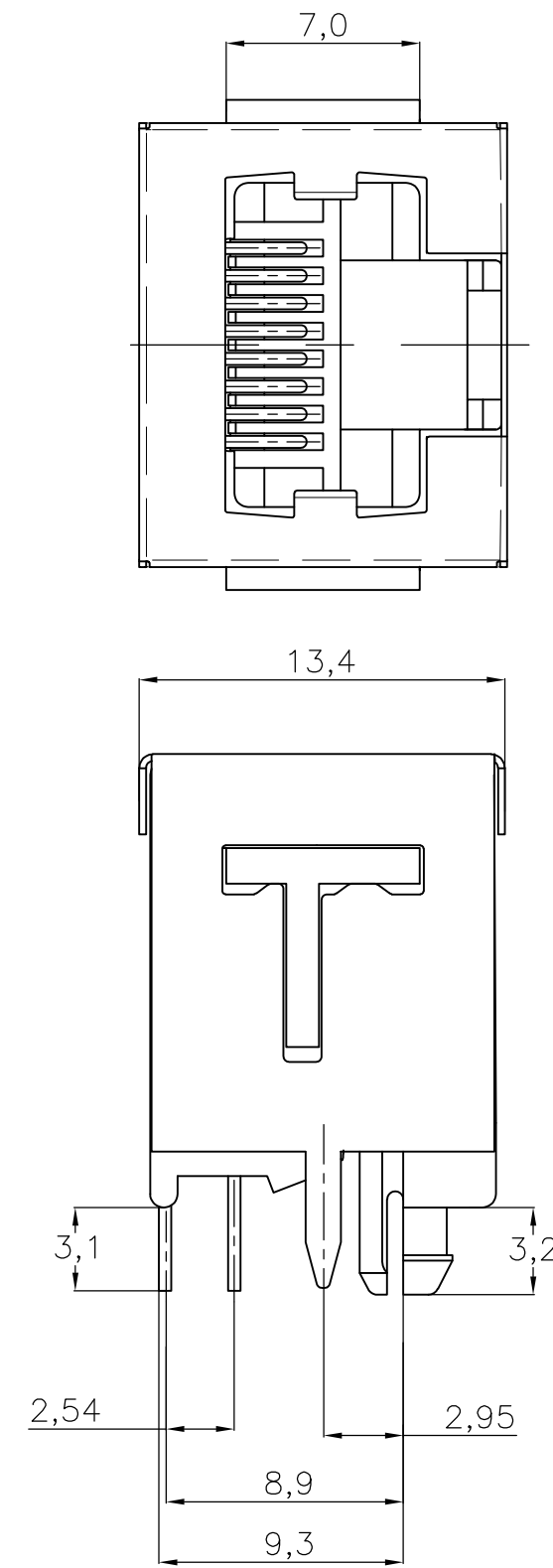
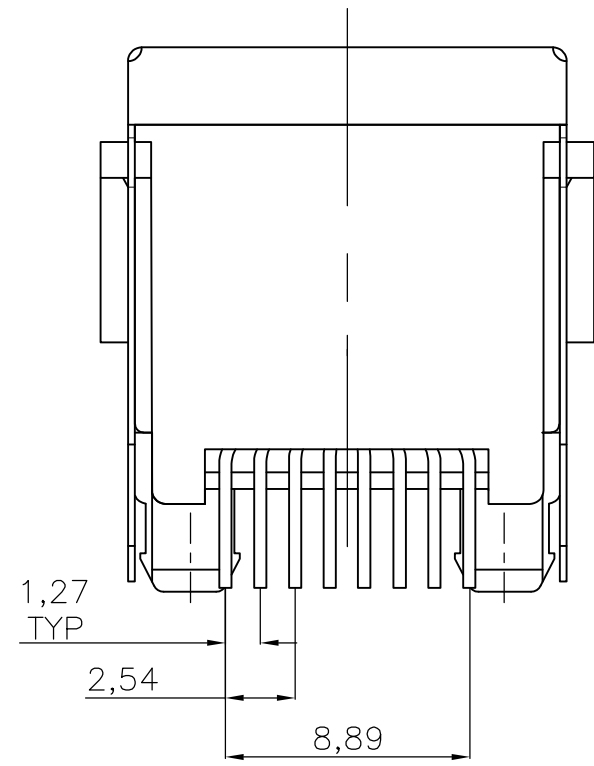


THIS DRAWING IS UNPUBLISHED. RELEASED FOR PUBLICATION
 © COPYRIGHT - By - ALL RIGHTS RESERVED.

LOC		DIST		REVISIONS			
P	LTR	DESCRIPTION	DATE	DWN	APVD		
P		SHIELD RAW MATERIAL CHANGED TO BRASS	07OCT2011	PS	RRP		

NOTES:

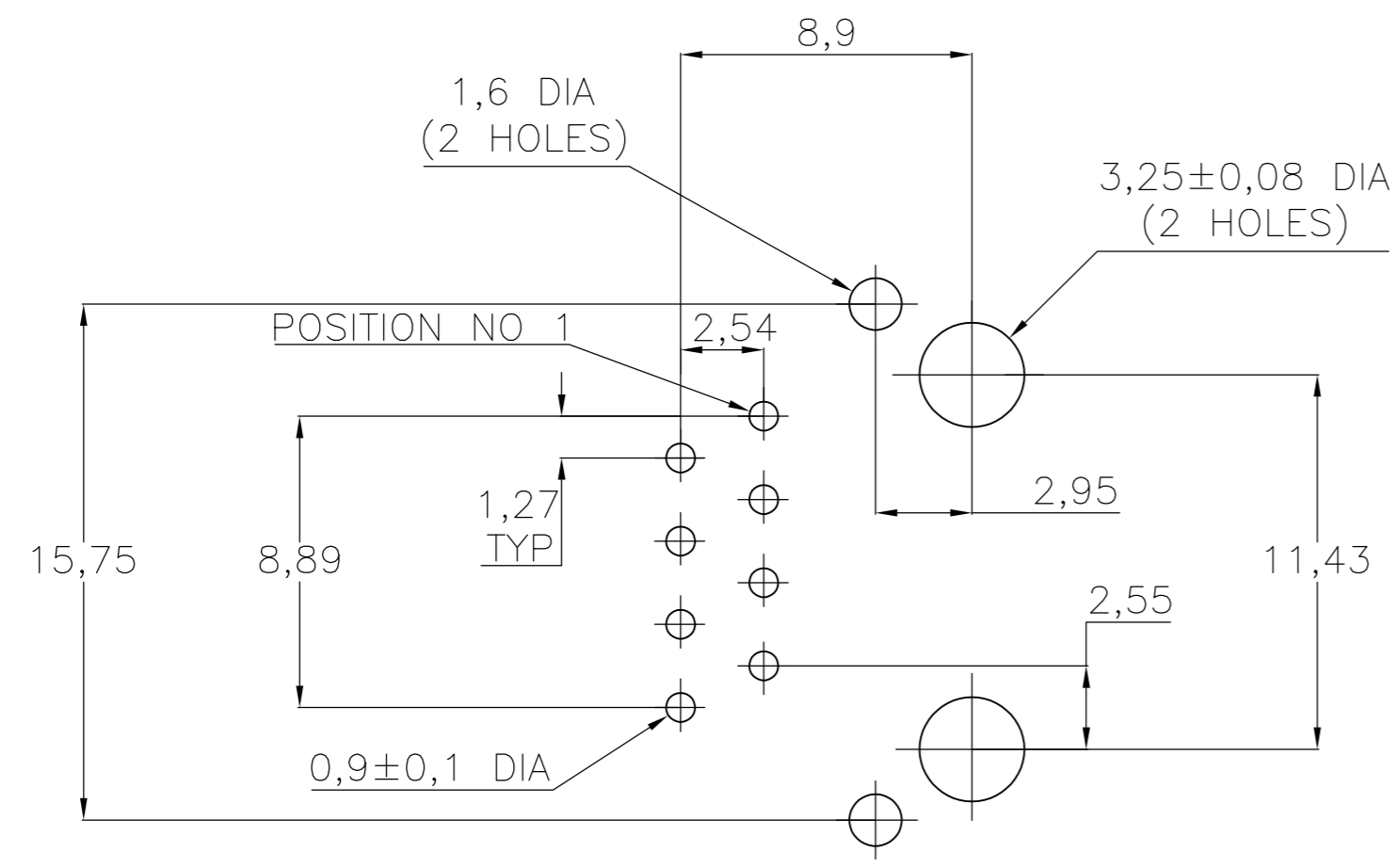
1. TOLERANCES UNLESS OTHERWISE SPECIFIED: ± 0.15 .
2. FOR APPLICATION INFORMATION SEE SPEC. 114-19019.
3. FOR PERFORMANCE REQUIREMENTS SEE SPEC. 108-19064
4. THIS DIMENSION CONCERNING THE GROUNDING TIPS OF THE SHIELD IS NOT GUARANTEED PRIOR TO MOUNTING ON THE PCB



THIS DRAWING IS A CONTROLLED DOCUMENT.		DWN R.HOGEVEEN 03DEC91	STE TE Connectivity	
DIMENSIONS: mm		CHK W.BRUMMANS 30MAR92		
TOLERANCES UNLESS OTHERWISE SPECIFIED:		APVD L.v.SOEST 01APR92	NAME	
0 PLC ± -		PRODUCT SPEC	MODULAR JACK 8 POS. TOP ENTRY SHIELDED WITH PANEL STOP	
1 PLC ± -		APPLICATION SPEC	SIZE	RESTRICTED TO
2 PLC ± -		WEIGHT	A2	
3 PLC ± -		FINISH	00779	
4 PLC ± -		CUSTOMER DRAWING	C=100616	
ANGLES ± -		SCALE	NTS	
FINISH		SHEET	1 of 2	
SEE TABLE		REV	P	

THIS DRAWING IS UNPUBLISHED. RELEASED FOR PUBLICATION
 © COPYRIGHT - By - ALL RIGHTS RESERVED.

LOC		DIST		REVISIONS			
P	LTR	DESCRIPTION	DATE	DWN	APVD		
-	-	-SEE SHEET 1-	-	-	-		



PRINTED CIRCUIT BOARD LAYOUT
 [VIEW SHOWN IS CIRCUIT (NONCOMPONENT) SIDE OF BOARD.]
 TOLERANCES UNLESS OTHERWISE SPECIFIED: ± 0.05
 PRINTED CIRCUIT BOARD THICKNESS: 1,6 mm NOMINAL.

PACKAGING	REMARKS	CONTACT PLATING	MATERIAL	PART NUMBER
BLISTER (1080 pcs, IN A BOX)	8 POSITIONS/ 8 CONTACTS,	<u>IN CONTACT AREA :</u> 1,2µm MIN. SEL. GOLD OVER 1,2µm MIN. NICKEL	<u>HOUSING:</u> PBT,UL 94-VO COLOR: BLACK <u>CONTACTS:</u> PHOSPHOR BRONZE SHIELD: BRASS PRE-PLATED 3-6µm THICK BRIGHT TIN	100616-2
		<u>SOLDER TINES :</u> 2,0µm MIN. TIN OVER 1,2µm MIN. NICKEL	<u>HOUSING:</u> PBT,UL 94-HB COLOR: BLACK <u>CONTACTS:</u> PHOSPHOR BRONZE SHIELD: BRASS PRE-PLATED 3-6µm THICK BRIGHT TIN	100616-1

THIS DRAWING IS A CONTROLLED DOCUMENT.		DWN R.HOGEVEEN 03DEC91	TE Connectivity	
DIMENSIONS: mm		CHK W.BRUMMANS 30MAR92		
TOLERANCES UNLESS OTHERWISE SPECIFIED:		APVD L.v.SOEST 01APR92	NAME MODULAR JACK 8 POS. TOP ENTRY SHIELDED WITH PANEL STOP	
0 PLC ± - 1 PLC ± - 2 PLC ± - 3 PLC ± - 4 PLC ± - ANGLES ± -		PRODUCT SPEC APPLICATION SPEC	SIZE A2	CAGE CODE 00779
MATERIAL SEE TABLE		FINISH SEE TABLE	DRAWING NO C=100616	RESTRICTED TO -
		WEIGHT -	SCALE -	SHEET 2 of 2
		CUSTOMER DRAWING	REV P	