



Chipsmall Limited consists of a professional team with an average of over 10 year of expertise in the distribution of electronic components. Based in Hongkong, we have already established firm and mutual-benefit business relationships with customers from,Europe,America and south Asia,supplying obsolete and hard-to-find components to meet their specific needs.

With the principle of "Quality Parts,Customers Priority,Honest Operation,and Considerate Service",our business mainly focus on the distribution of electronic components. Line cards we deal with include Microchip,ALPS,ROHM,Xilinx,Pulse,ON,Everlight and Freescale. Main products comprise IC,Modules,Potentiometer,IC Socket,Relay,Connector.Our parts cover such applications as commercial,industrial, and automotives areas.

We are looking forward to setting up business relationship with you and hope to provide you with the best service and solution. Let us make a better world for our industry!



## Contact us

Tel: +86-755-8981 8866 Fax: +86-755-8427 6832

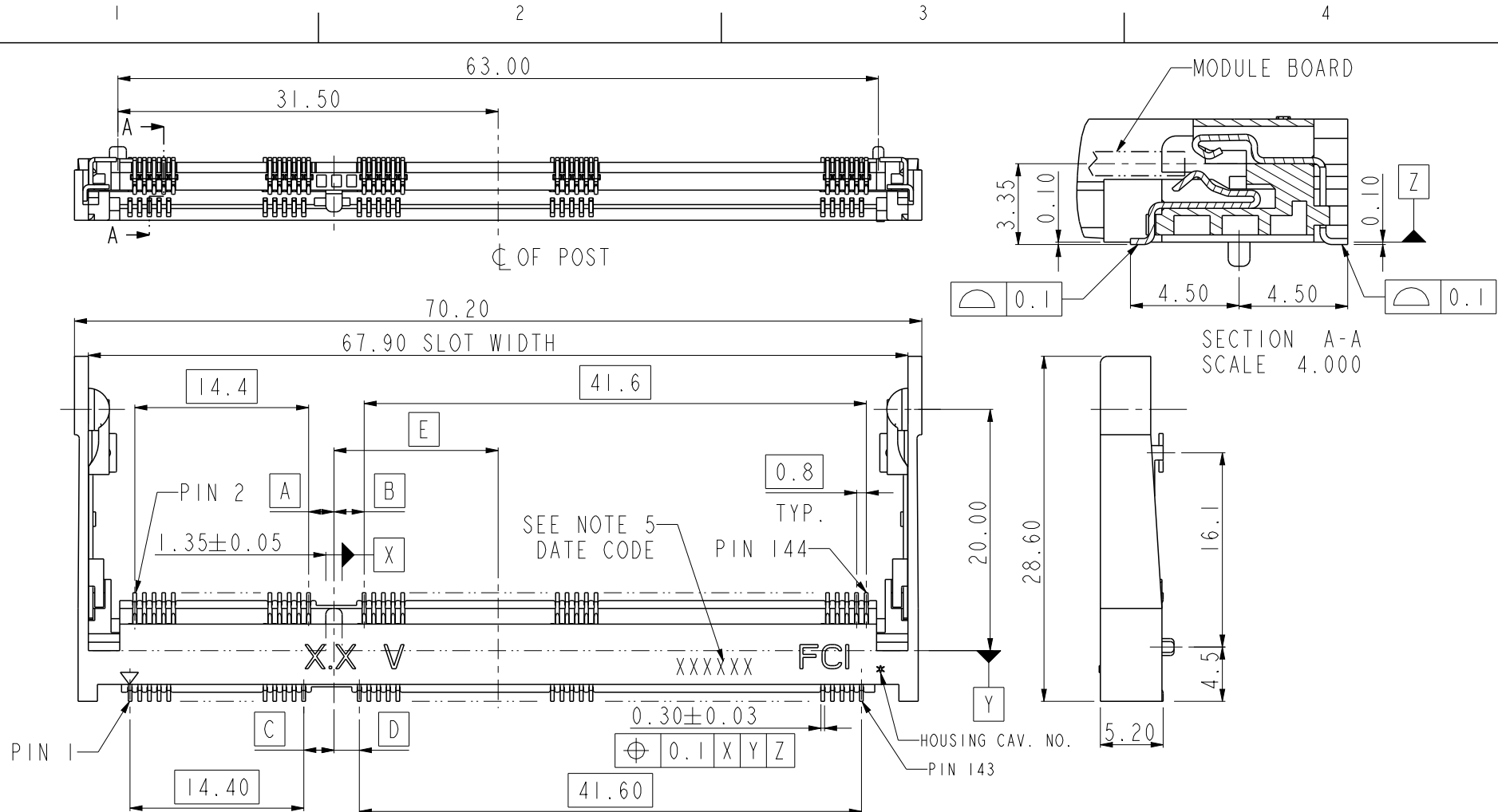
Email & Skype: info@chipsmall.com Web: www.chipsmall.com

Address: A1208, Overseas Decoration Building, #122 Zhenhua RD., Futian, Shenzhen, China





Copyright FCI.



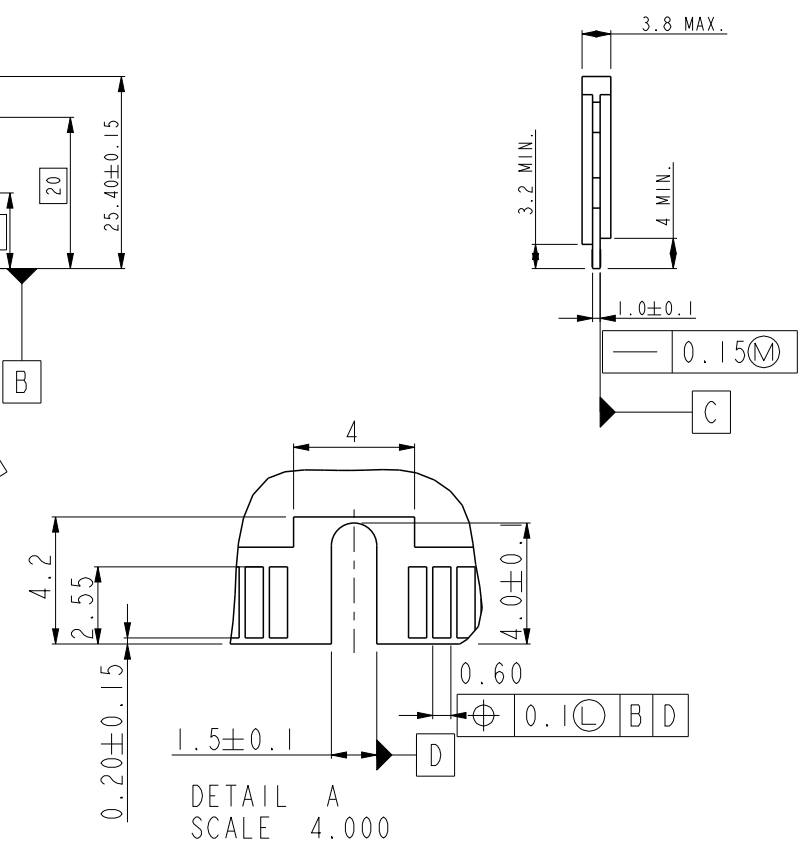
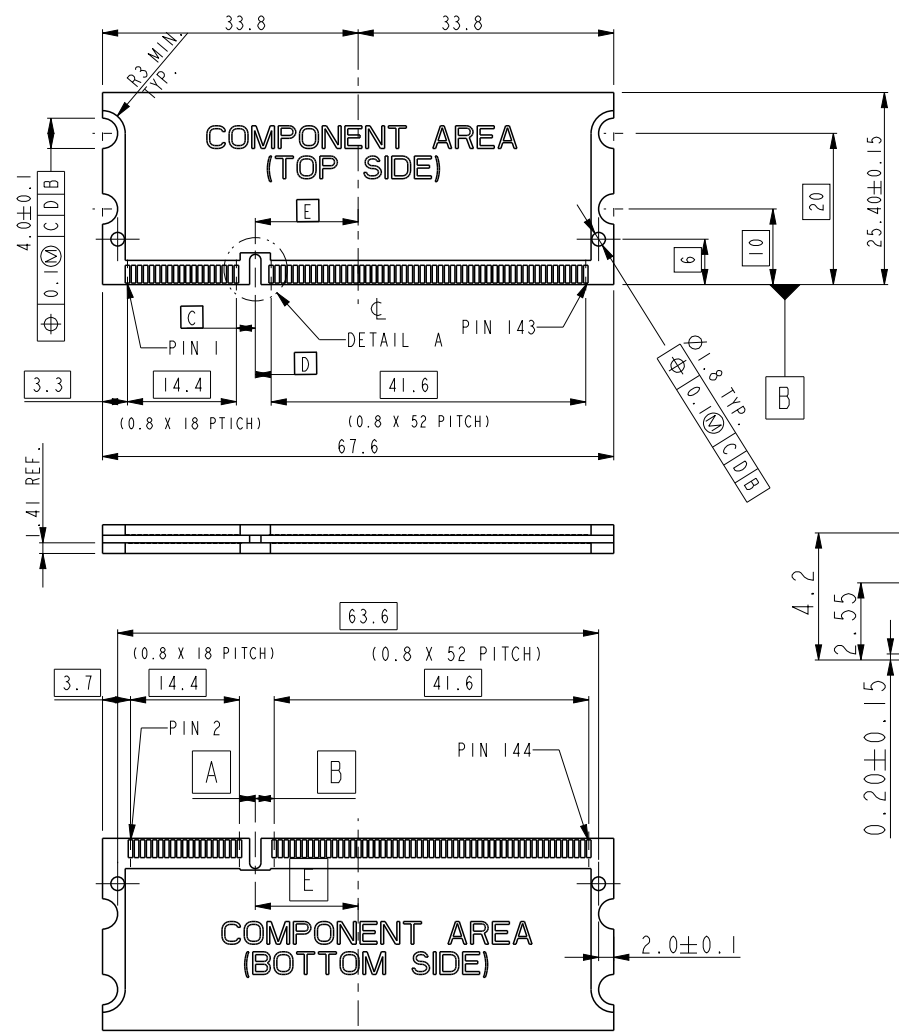
1.5V	2.85	1.75	3.25	1.35	12.85
2.5V	1.35	3.25	1.75	2.85	14.35
1.8V	2.10	2.50	2.50	2.10	13.60
POWER SUPPLY	DIM.A	DIM.B	DIM.C	DIM.D	DIM.E

spec ref	*	dr	Rick Bian	2010/07/03	projection	MM	size	A4	scale	1.000										
tolerance std	TOLERANCES UNLESS OTHERWISE SPECIFIED	eng	Terris Liu	2014/01/21			ecn no				ELX-DG-13430-1									
		chr	Tian-Xu Huang	2014/01/22			rel level				Released									
		appr	Pei-Ming Zheng	2014/01/22	product family		SO DIMM		rev											
surface	<table border="1"> <tr> <td>linear</td> <td>0.X</td> <td>±0.38</td> </tr> <tr> <td></td> <td>0.XX</td> <td>±0.25</td> </tr> <tr> <td></td> <td>0.XXX</td> <td>±0.13</td> </tr> <tr> <td>angular</td> <td>0°</td> <td>±2°</td> </tr> </table>	linear	0.X	±0.38		0.XX	±0.25		0.XXX	±0.13	angular	0°	±2°		title SO DIMM SOCKET, P=0.8mm 144 POSITION, STD PROFILE			dwg no 10062086	rev D	
linear	0.X	±0.38																		
	0.XX	±0.25																		
	0.XXX	±0.13																		
angular	0°	±2°																		
		www.fci.com	cat. no.	10062086	Product - Customer Drw			sheet 1 of 4												

ProjE File - REV C - 2009-06-09



Copyright FCI.



1.5V	2.85	1.75	3.25	1.35	12.85
2.5V	1.35	3.25	1.75	2.85	14.35
1.8V	2.10	2.50	2.50	2.10	13.60
POWER SUPPLY	DIM.A	DIM.B	DIM.C	DIM.D	DIM.E

dr	Rick Bian	2010/07/03
eng	Terris Liu	2014/01/21
chr	Tian-Xu Huang	2014/01/22
appr	Pei-Ming Zheng	2014/01/22

projection	MM	size	A4	scale	1.000
		ecn no		ELX-DG-13430-1	
product family			rel level		
			Released		

TOLERANCE UNLESS OTHERWISE SPECIFIED	
LINEAR	.X ±.20
	.XX ±.10
	.XXX ±.05
ANGLES	0°±2°

	title	SO DIMM SOCKET, P=0.8mm 144 POSITION, STD PROFILE	dwg no	10062086	rev	D
	www.fci.com	cat. no.	-	Product - Customer Drw	sheet 2 of 4	





A

A

10062086-X X X X LF

LEAD FREE AND RoHS COMPATIBLE  
 0: REEL PACKAGING  
 UNAVAILABLE: TRAY PACKAGING

PLATING

CODE	CONTACT AREA	SOLDER PAD	UNDERPLATING
1	0.25um MIN. GOLD	1.75um MIN. MATT Tin	1.27um MIN. NICKEL OVERALL
2	GOLD FLASH		
5	0.25um MIN. GOLD	GOLD FLASH	
6	GOLD FLASH		

0: IVORY HSG  
 1: BLACK HSG

1: FOR 1.5V  
 2: FOR 1.8V  
 3: FOR 2.5V

NOTE:

- MATERIAL:  
 HOUSING: LCP, UL94V-0  
 CONTACT: PHOSPHOR BRONZE  
 LATCH : COPPER ALLOY
- TWIST: 0.10mm MAX.
- PRODUCT SPEC: GS-12-364
- TRAY PACKAGE PER GS-14-368;  
 REEL PACKAGE PER GS-14-1127
- DATE CODE PRINTED AS "DDMMYY".
- THIS PRODUCT MEETS EUROPEAN UNION DIRECTIVES AND OTHER COUNTRY REGULATIONS AS DESCRIBED IN GS-22-008.
- THE HOUSING WILL WITHSTAND EXPOSURE TO 260°C PEAK TEMPERATURE FOR 10-30 SECS IN A CONVECTION, INFAR-RED OR VAPORPHASE REFLOW OVEN. SEE APPLICATION NOTES/PROCEDURES IF THEY ARE AVAILABLE.

B

B

C

C

D

D



Copyright FCI.

dr	Rick Bian	2010/07/03	projection 	MM 	size	A4	scale	1.000	
eng	Terris Liu	2014/01/21			ecn no	ELX-DG-13430-1			
chr	Tian-Xu Huang	2014/01/22			rel level	Released			
appr	Pei-Ming Zheng	2014/01/22	product family	-	rev no	10062086		rev	D
www.fci.com		cat. no.	-	Product - Customer Drw	sheet 4 of 4				