



Chipsmall Limited consists of a professional team with an average of over 10 year of expertise in the distribution of electronic components. Based in Hongkong, we have already established firm and mutual-benefit business relationships with customers from,Europe,America and south Asia,supplying obsolete and hard-to-find components to meet their specific needs.

With the principle of “Quality Parts,Customers Priority,Honest Operation,and Considerate Service”,our business mainly focus on the distribution of electronic components. Line cards we deal with include Microchip,ALPS,ROHM,Xilinx,Pulse,ON,Everlight and Freescale. Main products comprise IC,Modules,Potentiometer,IC Socket,Relay,Connector.Our parts cover such applications as commercial,industrial, and automotives areas.

We are looking forward to setting up business relationship with you and hope to provide you with the best service and solution. Let us make a better world for our industry!



Contact us

Tel: +86-755-8981 8866 Fax: +86-755-8427 6832

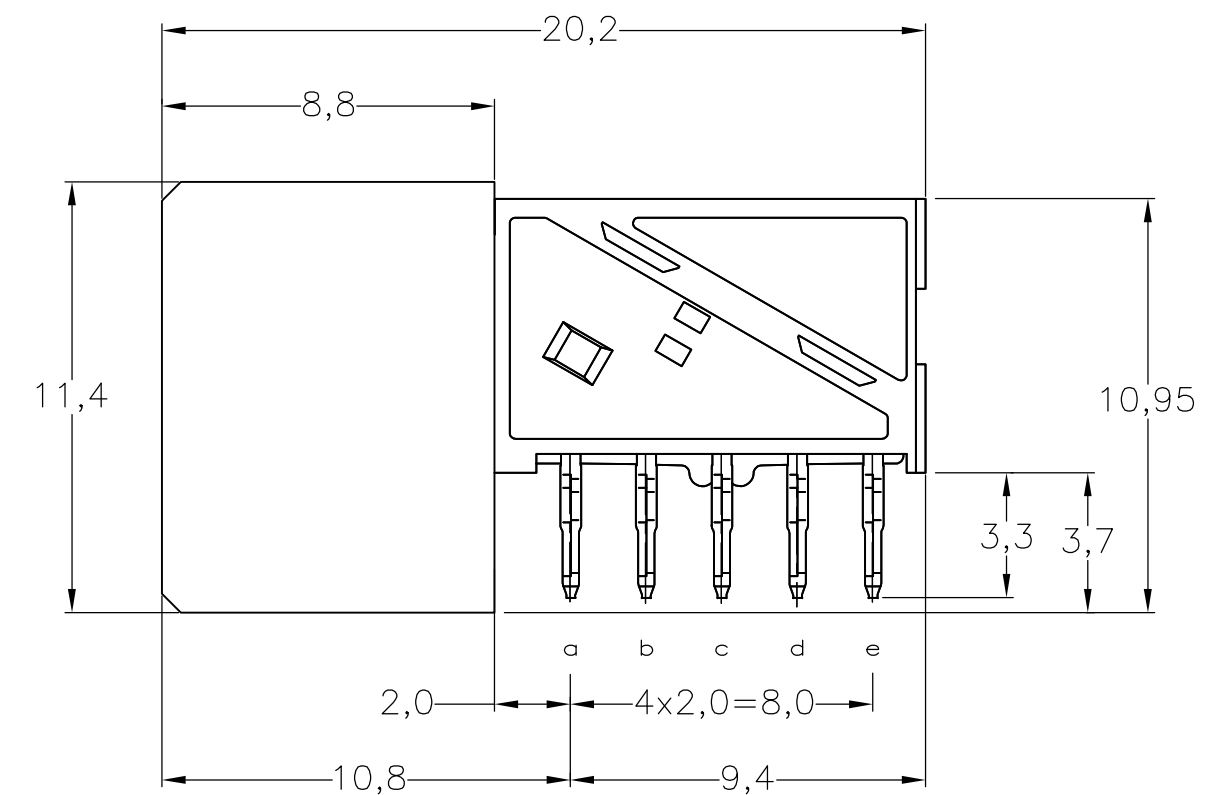
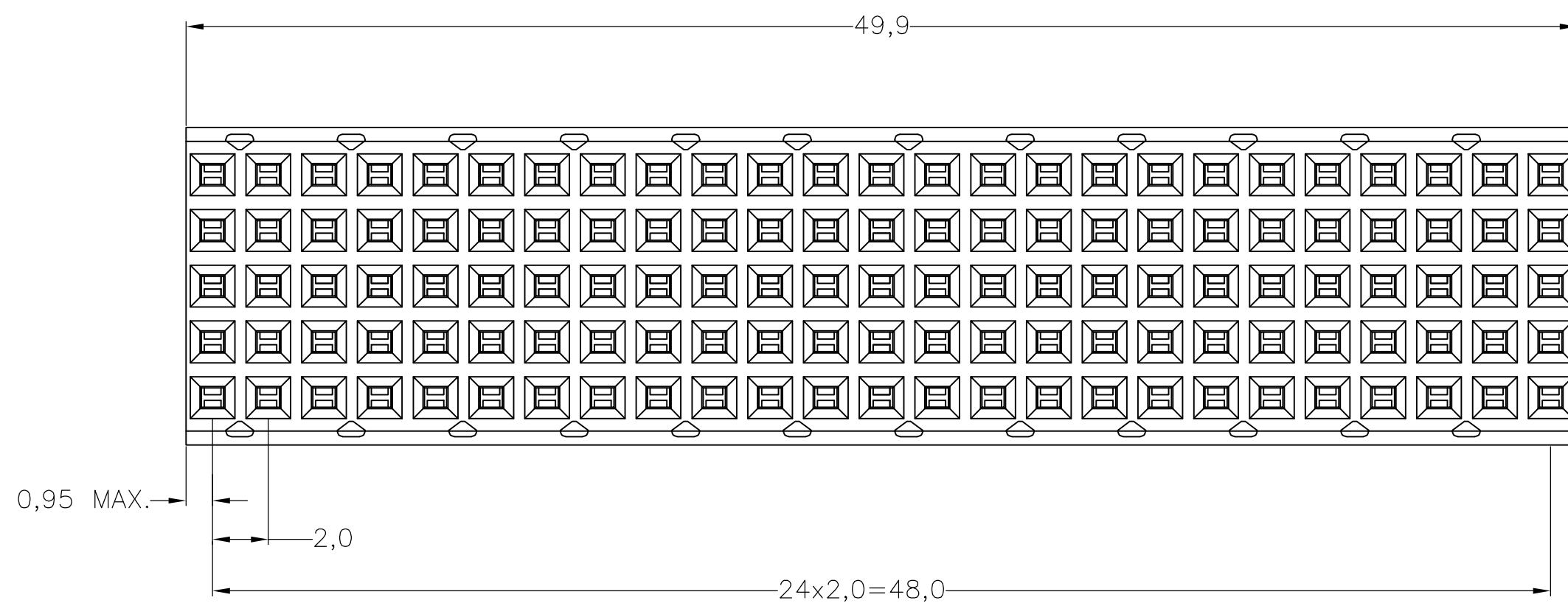
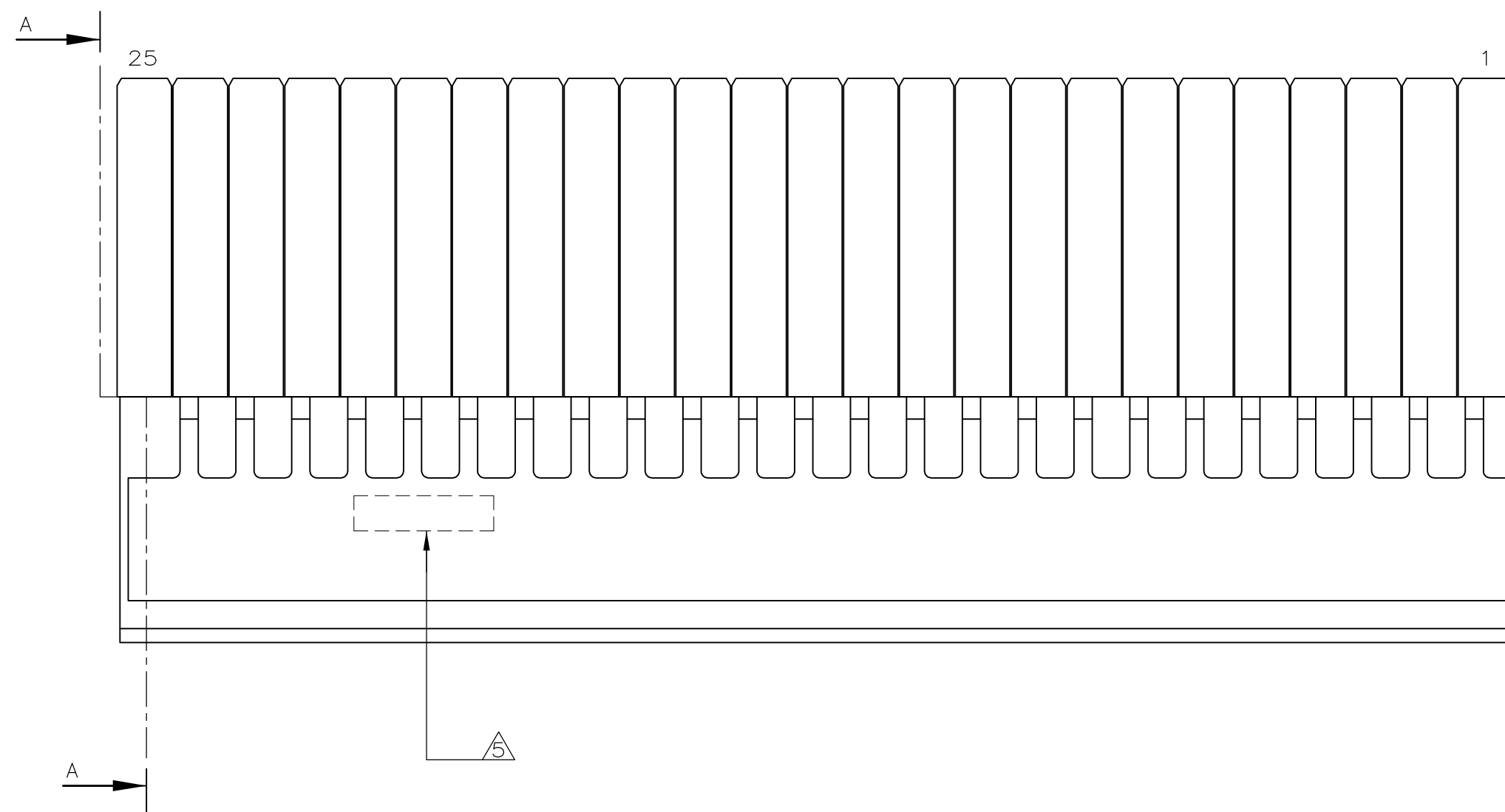
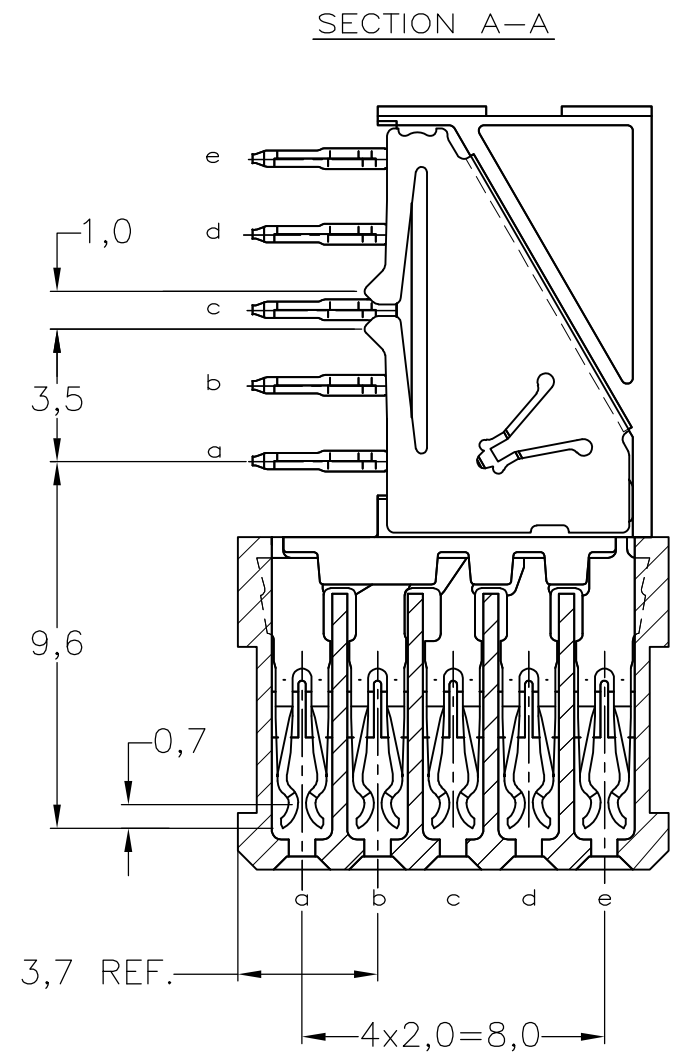
Email & Skype: info@chipsmall.com Web: www.chipsmall.com

Address: A1208, Overseas Decoration Building, #122 Zhenhua RD., Futian, Shenzhen, China



THIS DRAWING IS UNPUBLISHED. RELEASED FOR PUBLICATION
 © COPYRIGHT BY TYCO ELECTRONICS CORPORATION. ALL RIGHTS RESERVED.

LOC	DIST	REVISIONS					
		P	LTR	DESCRIPTION	DATE	DWN	APVD
H	-		L1	ECR-06-002635	07-02-06	BSV	BM
			M	ECR-06-026577	14-11-06	BSV	BM
			M1	REVISED PER ECO-09-021826	06JAN10	KK	AEG
			N	ECR-12-010652	20NOV12	SY	AC

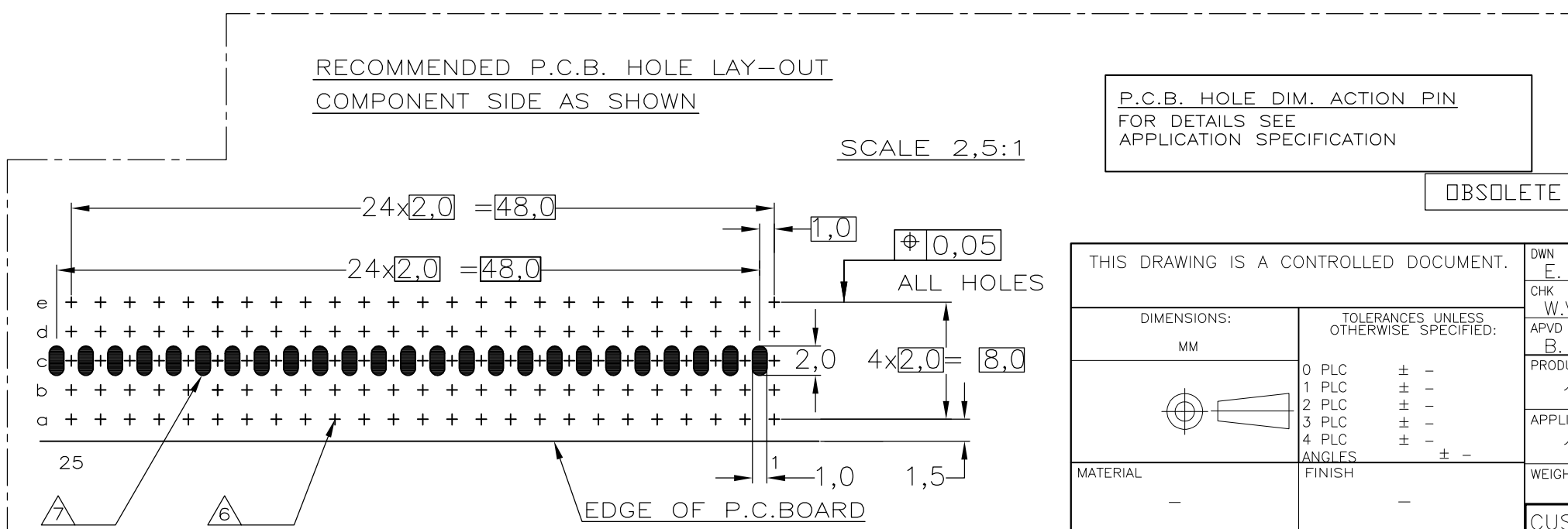


NOTES:

- ⚠ MATERIAL :
CONTACT; PHOSPHORBRONZE
REDUCED CROSS-TALK SHIELD; PHOSPHORBRONZE
HOUSING; GLASSFILLED POLYESTER (GRAY)
- ⚠ GENERAL CONTACT PLATING SPECIFICATION: UNDERPLATING (ENTIRE CONTACT):
1,27µm NICKEL MIN. AND ACTION PIN: 0,5µm TIN-LEAD MIN.
FOR PLATING OF MATING SURFACES SEE APPLICABLE SPECIFICATION
REFERENCE FOR EACH DASH NUMBER.
REDUCED CROSS-TALK SHIELD: GOLD FLASH OVER 1,27 µm NICKEL MIN.
- ⚠ CONFORMS TO ALL TESTING ACCORDING IEC 61076-4-101 PERFORMANCE LEVEL 2.
- ⚠ CONFORMS TO ALL TESTING ACCORDING IEC 61076-4-101 PERFORMANCE LEVEL 1.
- ⚠ CONNECTOR PRINTED WITH PARTNUMBER AND DATECODE
THE MARKING CAN APPEAR ON THE FRONT SIDE OR ON THE BACK SIDE.
- ⚠ PLATED-THROUGH HOLES AT 2x2mm SQUARE GRID
TOTAL 125 HOLES.
- ⚠ PLATED SPOT ONLY ON COMPONENT SIDE, FORMING ONE CONTACT
WITH PLATED THROUGH HOLES OF ROW C
- ⚠ FITS ONLY WITH INTEGRATED GROUND RETURN
UPPERSHIELD 338107-2 AND LOWERSHIELD 338108-2.
- ⚠ OBSOLETE PARTS: OBSOLETE CIS STREAMLINING PER D.RENAUD/D.SINISI

RECOMMENDED P.C.B. HOLE LAY-OUT
 COMPONENT SIDE AS SHOWN

SCALE 2,5:1



P.C.B. HOLE DIM. ACTION PIN
 FOR DETAILS SEE
 APPLICATION SPECIFICATION

THIS DRAWING IS A CONTROLLED DOCUMENT.

DIMENSIONS:	TOLERANCES UNLESS OTHERWISE SPECIFIED:
MM	
0 PLC	± -
1 PLC	± -
2 PLC	± -
3 PLC	± -
4 PLC	± -
ANGLES	± -
FINISH	

FINISH	MATERIAL	PARTNUMBER
⚠	⚠	⚠ 100624-4
⚠	⚠	⚠ 100624-1
OBSOLETE		
DWN E. MÖHLMANN 11FEB97 CHK W.V.D.HEIJDEN 11FEB97 APVD B. MOOIJ PRODUCT SPEC 108-19082 APPLICATION SPEC 114-19029 WEIGHT - CUSTOMER DRAWING		
Tyco Electronics Corporation s-Hertogenbosch, Netherlands, Z-PACK 2MM HM TYPE B 125 POS. FEMALE CONNECTOR WITH REDUCED CROSS-TALK SHIELD		
SIZE A2	CAGE CODE 00779	DRAWING NO. C=100624
RESTRICTED TO -	SCALE NTS	SHEET 1 OF 1
REV N		