



Chipsmall Limited consists of a professional team with an average of over 10 year of expertise in the distribution of electronic components. Based in Hongkong, we have already established firm and mutual-benefit business relationships with customers from,Europe,America and south Asia,supplying obsolete and hard-to-find components to meet their specific needs.

With the principle of "Quality Parts,Customers Priority,Honest Operation,and Considerate Service",our business mainly focus on the distribution of electronic components. Line cards we deal with include Microchip,ALPS,ROHM,Xilinx,Pulse,ON,Everlight and Freescale. Main products comprise IC,Modules,Potentiometer,IC Socket,Relay,Connector.Our parts cover such applications as commercial,industrial, and automotives areas.

We are looking forward to setting up business relationship with you and hope to provide you with the best service and solution. Let us make a better world for our industry!



## Contact us

Tel: +86-755-8981 8866 Fax: +86-755-8427 6832

Email & Skype: info@chipsmall.com Web: www.chipsmall.com

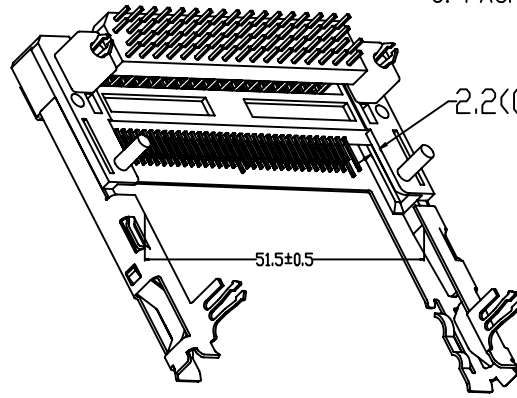
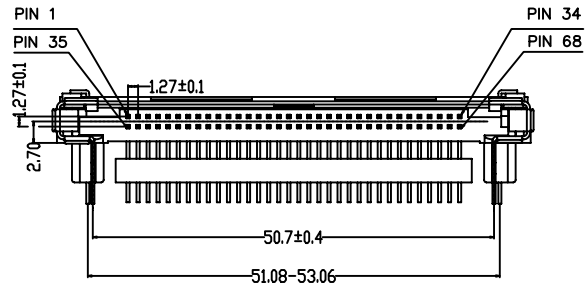
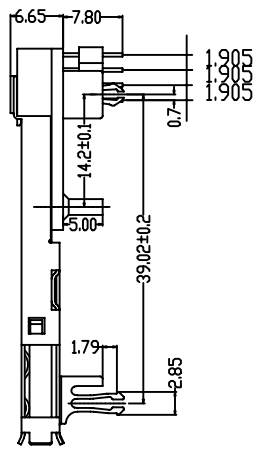
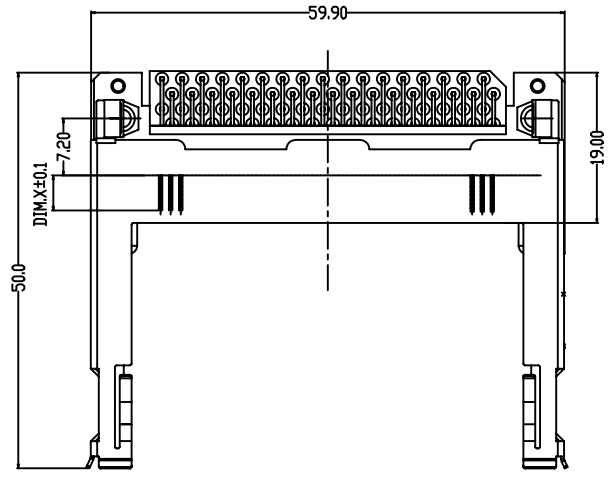
Address: A1208, Overseas Decoration Building, #122 Zhenhua RD., Futian, Shenzhen, China



FCI CONFIDENTIAL

PRODUCT NO.

10067972-050LF



NOTES:

- 1. MATERIAL
  - 1.1 HEADER ASS'Y:
    - PLASTIC : HOUSING ... PLASTIC UL94V-0 BLACK
    - PIN : COPPER ALLOY
    - COVER PLATE : STAINLESS
    - PLATING (AT HOLD DOWN AREA): BRIGHT PURE
    - TIN 2.54uM Min OVER 0.508uM Ni Min
    - HOLDDOWN : COPPER ALLOY
    - PLATING: BRIGHT PURE TIN 2.54uM Min OVER 0.508uM Ni Min

- 2. FINISH (PIN)
  - UNDER PLATING : 1.27uM MIN. Ni
  - CONTACT AREA : 0.25 uM MIN. GOLD OVER
  - SOLDER TAIL : 2.5 uM MIN. PURE TIN

3. DIM "X"

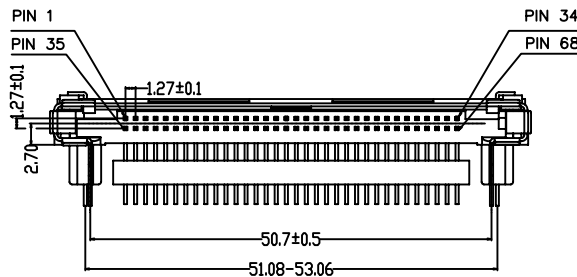
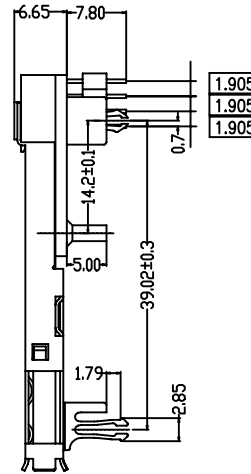
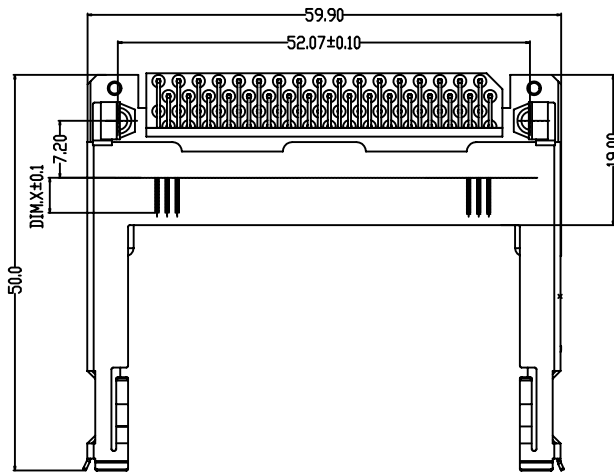
4.25 ± 0.1	3.5 ± 0.1	5.0 ± 0.1
OTHERS	36,67	1,17,34,35,51,68

- 4. IF LEAD FREE P/N, THE HOUSING WILL WITHSTAND EXPOSURE TO 260° C PEAK TEMPERATURE FOR 10 SECONDS IN A WAVE SOLDER APPLICATION WITH A 1.60MM MINIMUM THICK CIRCUIT BOARD.
- 5. LEAD FREE PRODUCT MEETS EUROPEAN UNION DIRECTIVES AND OTHER COUNTRY REGULATIONS AS DISCRIBLED IN GS-22-008
- 6. PACKAGE MEETS GS-14-1090 SPECIFICATION

mat'l. code		surface		tolerance		projection		product family	
		ISO 1302		ISO 406 ISO 101				PCMCIA	
ltr	ecn no	dr	date	tolerances unless otherwise specified					
A	N06-0195	MZ	07/14/06	angles	.X ± 0.5				title
B	N07-0009	MZ	01/09/07	linear	.XX ± 0.15		MM		PCMCIA ASS'Y ( 3.3V )
C	N07-0209	MZ	11/12/07	±2'	.XXX ± 0.10		scale (1:1)		
D	N08-0099	MZ	05/21/08	dr	Mike Zhou	07/14/06			dwg no
E	N08-0160	MZ	08/03/08	engr	Mike Zhou	07/14/06			sheet 1 of 6 size
F	N08-0219	MZ	10/09/08	chr	Qin David	07/14/06			10067972
				appd	Wang Jack	07/14/06			A4
sheet	revision	F	F	F	F	F			
index	sheet	1	2	3	4	5			

This document is the property of and embodies CONFIDENTIAL and PROPRIETARY information of FCI. No part of the information shown on this document may be used in any way or disclosed to others without the written consent of FCI. Copyright FCI.

PRODUCT NO.  
10067972-050MLF



NOTES:

1. MATERIAL

1.1 HEADER ASS'Y:

HOUSING: PBT, BLACK.

PIN : COPPER ALLOY.

COVER PLATE : SPCC.

PLATING: ALL AREA PLATING 150" NICKEL Min

HOLDDOWN : COPPER ALLOY

PLATING: BRIGHT PURE TIN 2.54uM Min  
OVER 0.508uM NI Min

LOCATOR: PBT, BLACK.

2. FINISH (PIN)

UNDER PLATING : 1.27um MIN. Ni

CONTACT AREA : 0.075um MIN. GOLD OVER

SOLDER TAIL : 2.5 um MIN. PURE TIN

3. DIM "X"

4.25±0.1	3.5±0.1	5.0±0.1
OTHERS	36,67	1,17,34,35,51,68

4. IF LEAD FREE P/N, THE HOUSING WILL WITHSTAND EXPOSURE TO 260° C PEAK TEMPERATURE FOR 10 SECONDS IN A WAVE SOLDER APPLICATION WITH A 1.00MM MINIMUM THICK CIRCUIT BOARD.

5. LEAD FREE PRODUCT MEETS EUROPEAN UNION DIRECTIVES AND OTHER COUNTRY REGULATIONS AS DESCRIBED IN GS-22-008

6. IF LEAD FREE P/N, PACKAGE MEETS GS-14-1090 SPECIFICATION

mat'l. code		surface	tolerance	projection	product family
		ISO 1302	ISO 406 ISO 101		PCMCIA
ltr	ecn no	dr	date	tolerances unless otherwise specified	
F				title	
				PCMCIA ASS'Y ( 3.3V )	
				scale (1:1)	
		dr	Mike Zhou 07/14/06	sheet 2of 6 size	
		enr	Mike Zhou 07/14/06	10067972 A4	
		chr	Qin David 07/14/06	type CUSTOMER Drawing	
		appd	Wang Jack 07/14/06		
sheet	revision				
index	sheet				



This document is the property of and embodies CONFIDENTIAL and PROPRIETARY information of FCI. No part of the information shown on this document may be used in any way or disclosed to others without the written consent of FCI. Copyright FCI.

FCI CONFIDENTIAL

PRODUCT NO.

10067972-000LF

NOTES:

1. MATERIAL

1.1 HEADER ASS'Y:

PLASTIC : HOUSING ...PLASTIC UL94V-0 BLACK  
 PIN : COPPER ALLOY  
 FRONT HOLD DOWN: PHOSPHOR BRONZE.  
 COVER PLATE : STAINLESS STEEL  
 PLATING(ALL AREA): BRIGHT PURE

TIN 1.5uM Min [NOTE: MAKE SURE PLATING THICKNESS OF HOLD DOWN AREA MEETS THIS REQUEST, NOT CONTROL OTHER AREA]

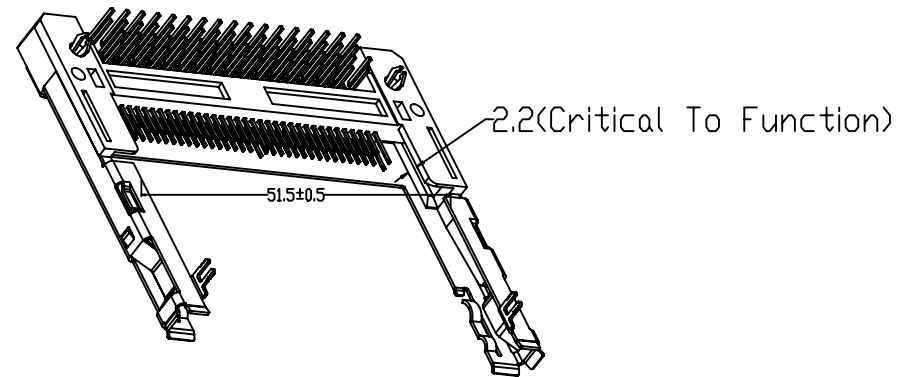
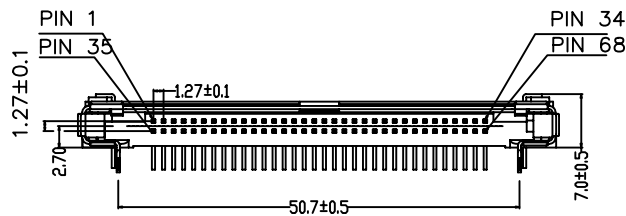
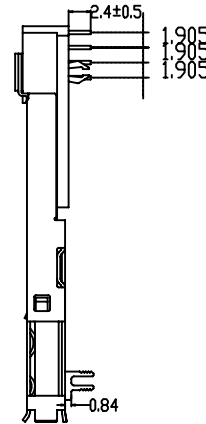
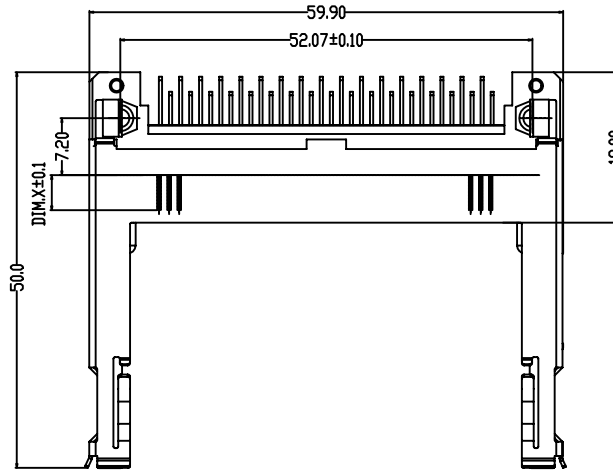
2. FINISH (PIN)

UNDER PLATING : 50u" MIN. Ni  
 CONTACT AREA : 3u" MIN. GOLD OVER  
 SOLDER TAIL : 100u" MIN. PURE TIN

3. DIM "X"

4.25±0.1	3.5±0.1	5.0±0.1
OTHERS	36,67	1,17,34,35,51,68

- IF LEAD FREE P/N, THE HOUSING WILL WITHSTAND EXPOSURE TO 260° C PEAK TEMPERATURE FOR 10 SECONDS IN A WAVE SOLDER APPLICATION WITH A 1.2MM MINIMUM THICK CIRCUIT BOARD.
- LEAD FREE PRODUCT MEETS EUROPEAN UNION DIRECTIVES AND OTHER COUNTRY REGULATIONS AS DISCRIBLED IN GS-22-008
- PACKAGE MEETS GS-14-1090 SPECIFICATION



mat'l. code		surface	tolerance	projection	product family
		ISO 1302	ISO 406 ISO 101		PCMCIA
ltr	ecn no	dr	date	tolerances unless otherwise specified	
E				angles	linear
				±2'	linear
				dr	Mike Zhou 07/14/06
				enr	Mike Zhou 07/14/06
				chr	Qin David 07/14/06
				appd	Wang Jack 07/14/06
sheet		revision			
index		sheet			
				title	PCMCIA ASS'Y ( 3.3V )
				dwg no	10067972
				sheet	3of 6
				size	A4
				type	CUSTOMER Drawing

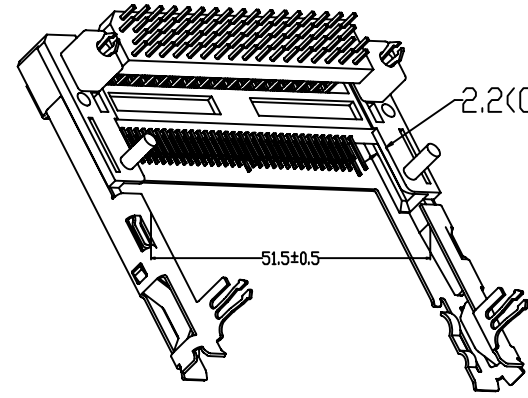
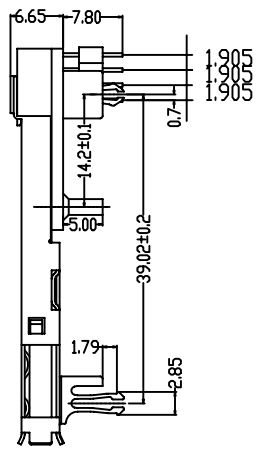
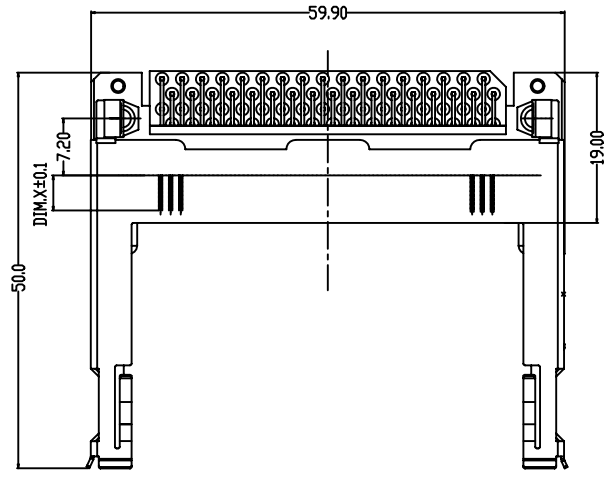
This document is the property of and embodies CONFIDENTIAL and PROPRIETARY information of FCI. No part of the information shown on this document may be used in any way or disclosed to others without the written consent of FCI. Copyright FCI.

FCIconnect.com

FCI CONFIDENTIAL

PRODUCT NO.

10067972-051LF



NOTES:

1. MATERIAL

1.1 HEADER ASS'Y:

- PLASTIC : HOUSING ... PLASTIC UL94V-0 BLACK
- PIN : COPPER ALLOY
- COVER PLATE : STAINLESS
- PLATING (AT HOLD DOWN AREA): BRIGHT PURE
- TIN 2.54µm Min OVER 0.508µm Ni Min
- HOLDDOWN : COPPER ALLOY
- PLATING: BRIGHT PURE TIN 2.54µm Min
- OVER 0.508µm Ni Min

2. FINISH (PIN)

- UNDER PLATING : 1.27µm MIN. Ni
- CONTACT AREA : 0.25µm MIN. GOLD OVER
- SOLDER TAIL : 2.5µm MIN. PURE TIN

3. DIM "X"

4.25±0.1	3.5±0.1	5.0±0.1
OTHERS	36,67	1,17,34,35,51,68

- 4. IF LEAD FREE P/N, THE HOUSING WILL WITHSTAND EXPOSURE TO 260° C PEAK TEMPERATURE FOR 10 SECONDS IN A WAVE SOLDER APPLICATION WITH A 1.20MM MINIMUM THICK CIRCUIT BOARD.
- 5. LEAD FREE PRODUCT MEETS EUROPEAN UNION DIRECTIVES AND OTHER COUNTRY REGULATIONS AS DISCRIBLED IN GS-22-008
- 6. PACKAGE MEETS GS-14-1090 SPECIFICATION

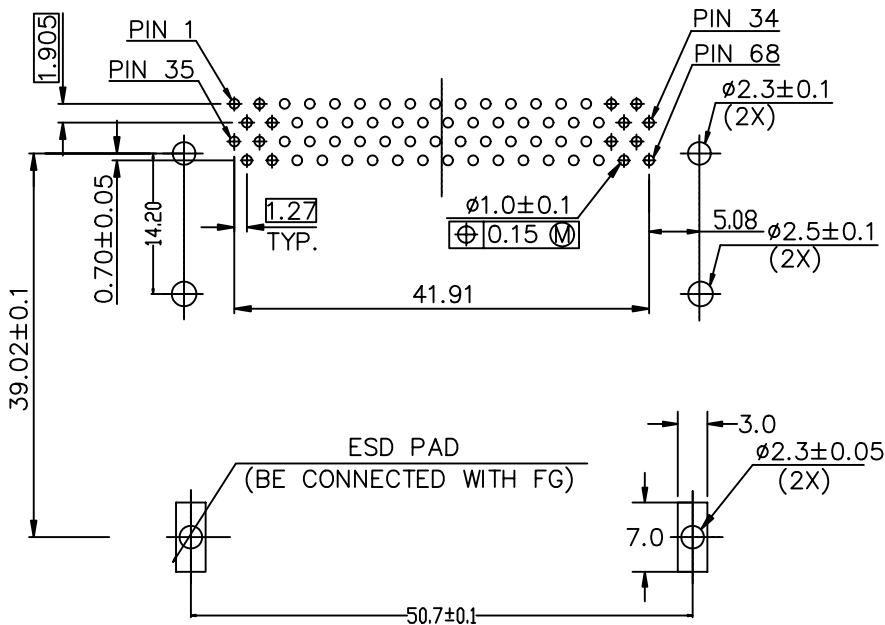
mat'l. code		surface		tolerance		projection		product family	
		ISO 1302		ISO 406 ISO 101		101		PCMCIA	
ltr		ecn no		dr		date		title	
F								PCMCIA ASS'Y ( 3.3V )	
								REV: B	
								dwg no	
								10067972	
								sheet 4of 6 size	
								A4	
								type CUSTOMER Drawing	
sheet		revision							
index		sheet							

This document is the property of and embodies CONFIDENTIAL and PROPRIETARY information of FCI. No part of the information shown on this document may be used in any way or disclosed to others without the written consent of FCI. Copyright FCI.

PRODUCT NO.

10067972-050LF/050MLF

FCI CONFIDENTIAL



4 CARD INSERTION DIRECTION  
RECOMMENDED FOOT PRINT(MOUNTED SIDE)

This document is the property of and embodies CONFIDENTIAL and PROPRIETARY information of FCI. No part of the information shown on this document may be used in any way or disclosed to others without the written consent of FCI. Copyright FCI.

mat'l. code		surface		tolerance		projection		product family	
		ISO 1302		ISO 406 ISO 1101				PCMCIA	
ltr		ecn no		dr		date		title	
F								PCMCIA ASS'Y ( 3.3V )	
		angles		linear		MM		(REV.B)	
		±2'		.X±0.5		.XX±0.15		scale 1:1	
		dr		Mike Zhou		07/14/06		dwg no	
		enrg		Mike Zhou		07/14/06		sheet 5of 6 size	
		chr		Qin David		07/14/06		10067972 A4	
		appd		Wang Jack		07/14/06		type CUSTOMER Drawing	
sheet		revision							
index		sheet							



1

2 3

4

5

6

PRODUCT NO.

10067972-000LF

FCI CONFIDENTIAL

FCI  
FCIconnect.com

PIN 1  
 PIN 35  
 PIN 34  
 PIN 68  
 $\phi 2.3 \pm 0.1$   
 (2X)  
 $\phi 1.0 \pm 0.1$   
 $\phi 0.15$  (M)  
 1.905  
 0.70  $\pm$  0.05  
 1.27 TYP.  
 41.91  
 52.07  $\pm$  0.1  
 "L"  
 ESD PAD  
 (BE CONNECTED WITH FG)  
 3.0  
 7.0  
 1.0  $\pm$  0.1  
 2.3  $\pm$  0.1  
 50.7  $\pm$  0.1

4 CARD INSERTION DIRECTION  
 RECOMMENDED FOOT PRINT(MOUNTED SIDE)

This document is the property of and embodies CONFIDENTIAL and PROPRIETARY information of FCI. No part of the information shown on this document may be used in any way or disclosed to others without the written consent of FCI.  
 Copyright FCI

mat'l. code		surface	tolerance	projection	product family
		ISO 1302	ISO 406 ISO 1101		PCMCIA
ltr	ecm no	dr	date	tolerances unless otherwise specified	
F				angles	linear
				$\pm 2'$	$.X \pm 0.5$ $.XX \pm 0.15$ $.XXX \pm 0.10$
					scale 1:1
		dr	Mike Zhou	07/14/06	 dwg no 10067972 sheet 6 of 6 size A4 type CUSTOMER Drawing
		enr	Mike Zhou	07/14/06	
		chr	Qin David	07/14/06	
		appd	Wang Jack	07/14/06	
sheet	revision				
index	sheet				

form: A3

PDM! Rev:F

STATUS: Released

Printed: Dec 12, 2008

6