



Chipsmall Limited consists of a professional team with an average of over 10 year of expertise in the distribution of electronic components. Based in Hongkong, we have already established firm and mutual-benefit business relationships with customers from,Europe,America and south Asia,supplying obsolete and hard-to-find components to meet their specific needs.

With the principle of “Quality Parts,Customers Priority,Honest Operation,and Considerate Service”,our business mainly focus on the distribution of electronic components. Line cards we deal with include Microchip,ALPS,ROHM,Xilinx,Pulse,ON,Everlight and Freescale. Main products comprise IC,Modules,Potentiometer,IC Socket,Relay,Connector.Our parts cover such applications as commercial,industrial, and automotives areas.

We are looking forward to setting up business relationship with you and hope to provide you with the best service and solution. Let us make a better world for our industry!



Contact us

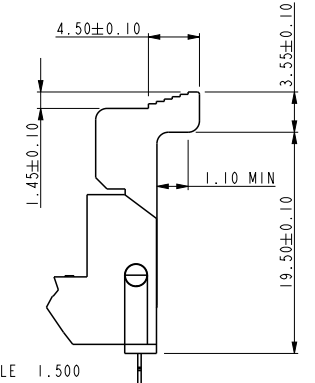
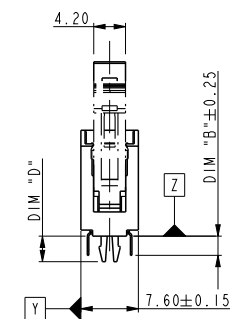
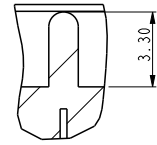
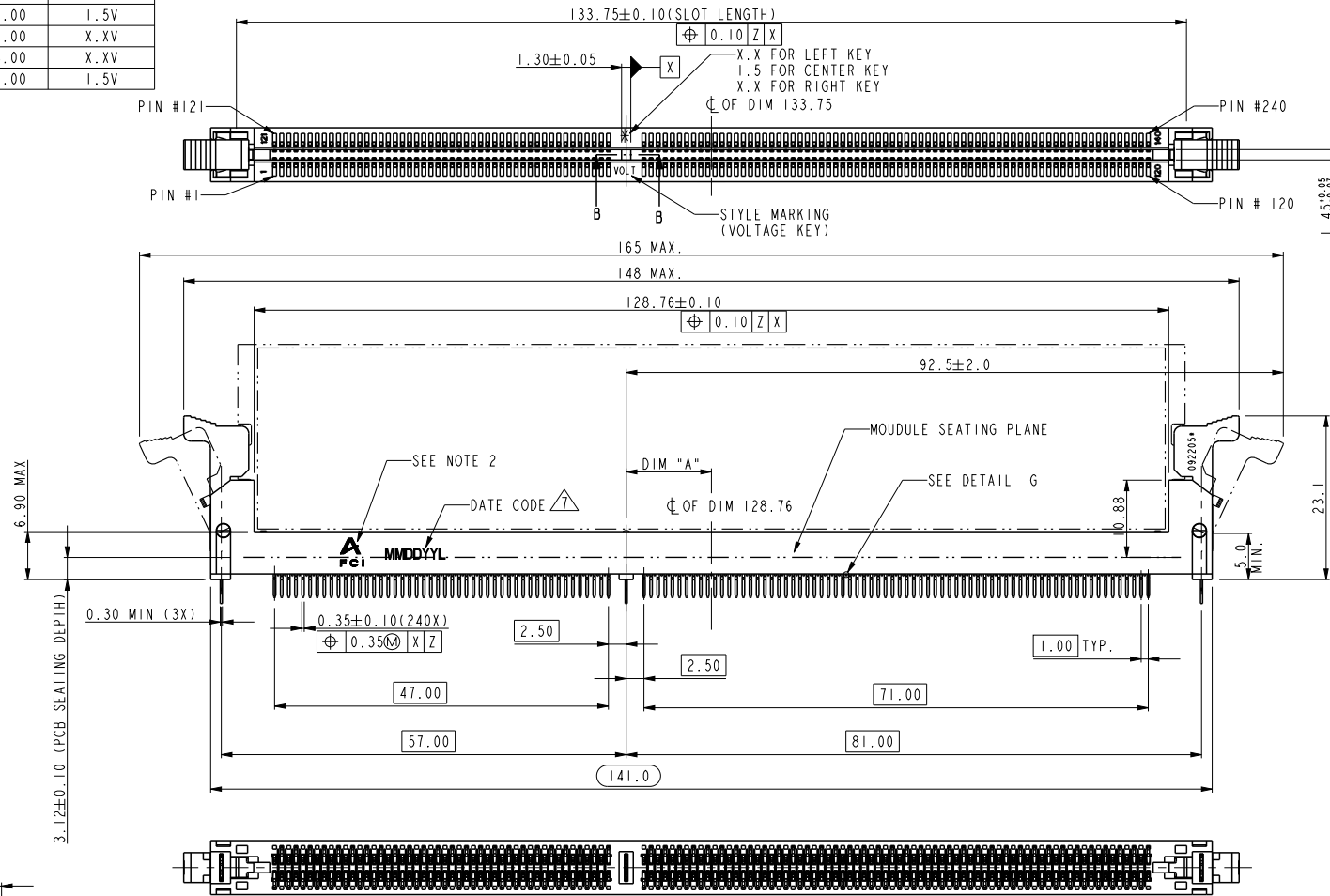
Tel: +86-755-8981 8866 Fax: +86-755-8427 6832

Email & Skype: info@chipsmall.com Web: www.chipsmall.com

Address: A1208, Overseas Decoration Building, #122 Zhenhua RD., Futian, Shenzhen, China



PART NO.	DIM "A"	DESCRIPTION
10068597-1****	12.00	1.5V
10068597-2****	11.00	X.XV
10068597-3****	13.00	X.XV
10068597-4****	12.00	1.5V



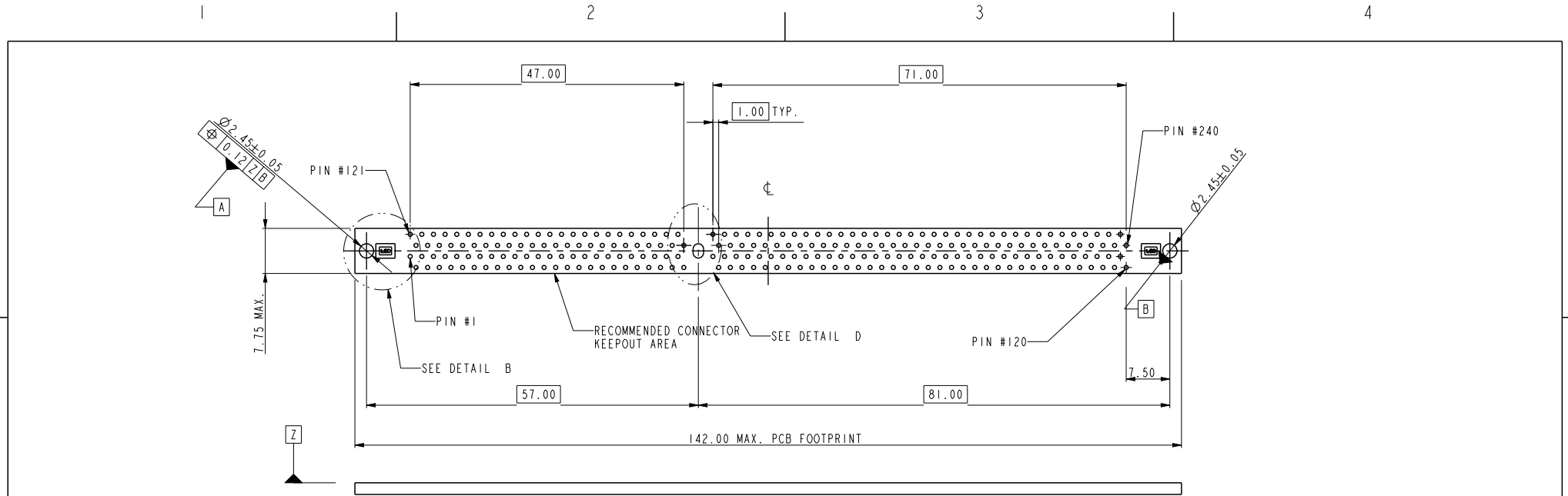
spec ref	*	dr	Rick Bian	2010/06/27	projection	MM	size	A4	scale	0.500										
tolerance std	TOLERANCES UNLESS OTHERWISE SPECIFIED	eng	Jeny Ren	2017/08/07			ecn no		ELX-DG-27598-1											
surface	<table border="1"> <tr> <td>linear</td> <td>0.X</td> <td>±0.38</td> </tr> <tr> <td></td> <td>0.XX</td> <td>±0.25</td> </tr> <tr> <td></td> <td>0.XXX</td> <td>±0.13</td> </tr> <tr> <td>angular</td> <td>0°</td> <td>±2°</td> </tr> </table>	linear	0.X	±0.38				0.XX	±0.25		0.XXX	±0.13	angular	0°	±2°	chr	-	-	rel level	
linear	0.X	±0.38																		
	0.XX	±0.25																		
	0.XXX	±0.13																		
angular	0°	±2°																		
		appr	Nickor Zuo	2017/08/11	product family		-		rev											
		Amphenol FCI			title		DDRIII 240P V/T METAL CLIP ASS'Y		dwg no											
					cat. no.		-		10068597											
					Product - Customer Drw		sheet 1 of 4		M											

A

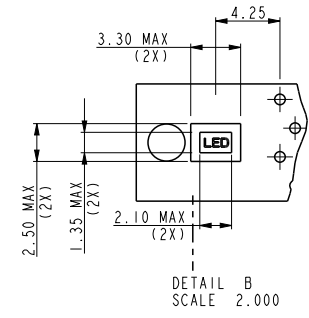
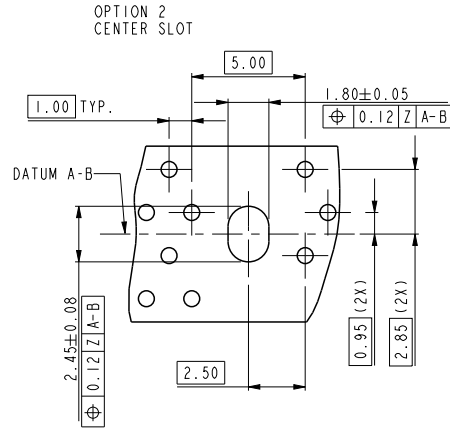
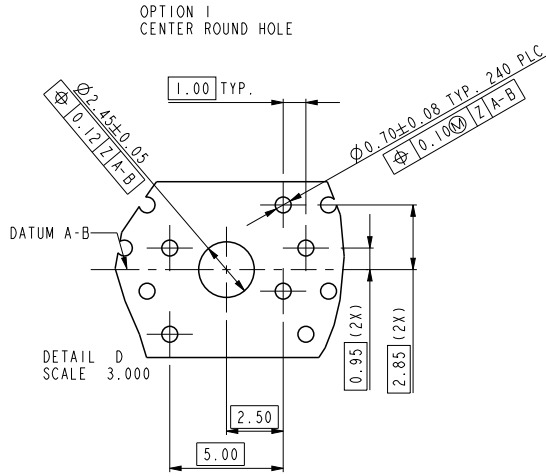
B

C

D



RECOMMENDED CIRCUIT BOARD HOLE LAYOUT



spec ref	*	dr	Rick Bian	2010/06/27	projection	MM	size	A4	scale	0.500
tolerance std	TOLERANCES UNLESS OTHERWISE SPECIFIED	eng	Jeny Ren	2017/08/07			ecn no		ELX-DG-27598-1	
-		chr	-	-			rel level		Released	
surface	linear	appr	Nickor Zuo	2017/08/11	product family		rev		M	
-	angular	Amphenol FCI		title		dwg no		10068597		
	0.X ±0.38	cat. no.		*	Product - Customer Drw		sheet 3 of 4			
	0.XX ±0.25									
	0.XXX ±0.13									
	0° ±2°									

A

B

C

D

A

B

C

D

10068597 - □ □ □ □

STYLE : MECHANICAL KEYING

- 1 : 1.5 VOLT. W/ CENTER KEY "XB"
- 2 : X.X VOLT. W/ LEFT KEY "XA"
- 3 : X.X VOLT. W/ RIGHT KEY "XC"
- 4 : 1.5 VOLT. W/ CENTER KEY "XB"
(WITH THE SPECIAL PACKING)

CODE	TAIL LENGTH	
	DIM "D"	DIM "B"
11	3.05	2.67
22	3.56	3.18

PLATING

CODE	CONTACT	SOLDERTAIL	UNDERPLATE
2	15u" (0.38um) MIN. GOLD	100u" (2.54um) MIN. TIN/LEAD	50u" (1.27um) MIN. NICKEL OVERALL
3	30u" (0.76um) MIN. GOLD		
4	3u" (0.07um) MIN. GOLD	100u" (2.54um) MIN. 100% TIN	50u" (1.27um) MIN. NICKEL OVERALL
5LF	20u" (0.508um) MIN. GOLD		
7LF	15u" (0.38um) MIN. GOLD		
8LF	30u" (0.76um) MIN. GOLD		
9LF	3u" (0.07um) MIN. GOLD		

COLOR OF HOUSING AND EJECTOR

- 0 : BLACK HOUSING + IVORY EJECTOR
- 1 : BLUE HOUSING + IVORY EJECTOR
- 2 : BLACK HOUSING + BLACK EJECTOR
- 3 : BLACK HOUSING + CLEAR EJECTOR
- 4 : BLUE HOUSING + CLEAR EJECTOR
- 5 : IVORY HOUSING + CLEAR EJECTOR
- 6 : BLACK HOUSING + BLUE (2945C) EJECTOR
- 7 : IVORY HOUSING + IVORY EJECTOR
- 8 : BLACK HOUSING + GREEN (375C) EJECTOR
- 9 : IVORY HOUSING + BLACK EJECTOR
- C : BLUE HOUSING + BLACK EJECTOR

NOTES:

1. MATERIAL:
HOUSING: HIGH PERFORMANCE RESINS, GLASS FILLED UL94V-0 RATED.
EJECTOR: HIGH PERFORMANCE RESINS, GLASS FILLED UL94V-0 RATED.
TERMINAL: COPPER ALLOY.
METAL CLIP: COPPER ALLOY.
2. FCI LOGO TO BE APPROXIMATELY LOCATED AS SHOWN ON PRINT.
3. PRODUCT SPECIFICATION: GS-12-368.
4. PACKAGING SPECIFICATION: GS-14-899.
- ⚠️ CARD THICKNESS APPLIES ACROSS TABS AND INCLUDES PLATING AND/OR METALIZATION.
- ⚠️ LEADING EDGE OF CONTACT PADS SPECIFIED BY THE KEEP OUT ZONE SHALL BE FREE OF BURRS AND EXTERNAL TIE BARS.
FOR OPTIMUM PERFORMANCE, THE TIE BAR IS TO BE ON AN INTERNAL LAYER SO THAT THE REMNANT CANNOT CAUSE CONTACT DAMAGE.
- ⚠️ THE DATE CODE IS SHOWN "MMDDYY*"."*" MEANS PRODUCTION LINE CODE.
8. SOCKET IS COMPLIANT TO JEDEC SO-007 AND ACCEPTS JEDEC MODULE MO-269, VARIATIONS AA THRU FC.
9. THIS PRODUCT MEETS EUROPEAN UNION DIRECTIVES AND OTHER COUNTRY REGULATIONS AS DESCRIBED IN GS-22-008.
10. THE HOUSING WILL WITHSTAND EXPOSURE TO 260°C PEAK TEMPERATURE FOR 10 SECONDS IN A WAVE SOLDER APPLICATION.
11. THE CLEAR LATCH CAN WITHSTAND MAX 174°C EXPOSURE TEMPERATURE.



dr	Rick Bian	2010/06/27	projection 	MM 	size	A4	scale	0.500
eng	Jeny Ren	2017/08/07			ecn no	ELX-DG-27598-1		
chr	-	-			rel level	Released		
appr	Nickor Zuo	2017/08/11	product family		rev		10068597	
Amphenol FCI		part no			DDR111 240P V/T METAL CLIP ASS'Y		M	
		cat. no.			* Product - Customer Drw		sheet 4 of 4	