



Chipsmall Limited consists of a professional team with an average of over 10 year of expertise in the distribution of electronic components. Based in Hongkong, we have already established firm and mutual-benefit business relationships with customers from,Europe,America and south Asia,supplying obsolete and hard-to-find components to meet their specific needs.

With the principle of “Quality Parts,Customers Priority,Honest Operation,and Considerate Service”,our business mainly focus on the distribution of electronic components. Line cards we deal with include Microchip,ALPS,ROHM,Xilinx,Pulse,ON,Everlight and Freescale. Main products comprise IC,Modules,Potentiometer,IC Socket,Relay,Connector.Our parts cover such applications as commercial,industrial, and automotives areas.

We are looking forward to setting up business relationship with you and hope to provide you with the best service and solution. Let us make a better world for our industry!



## Contact us

Tel: +86-755-8981 8866 Fax: +86-755-8427 6832

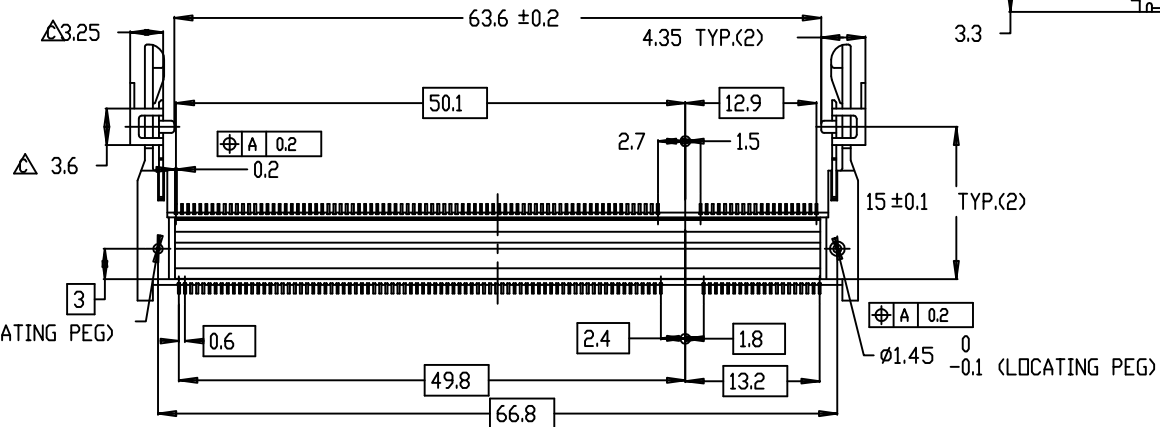
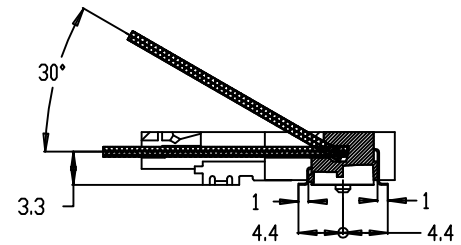
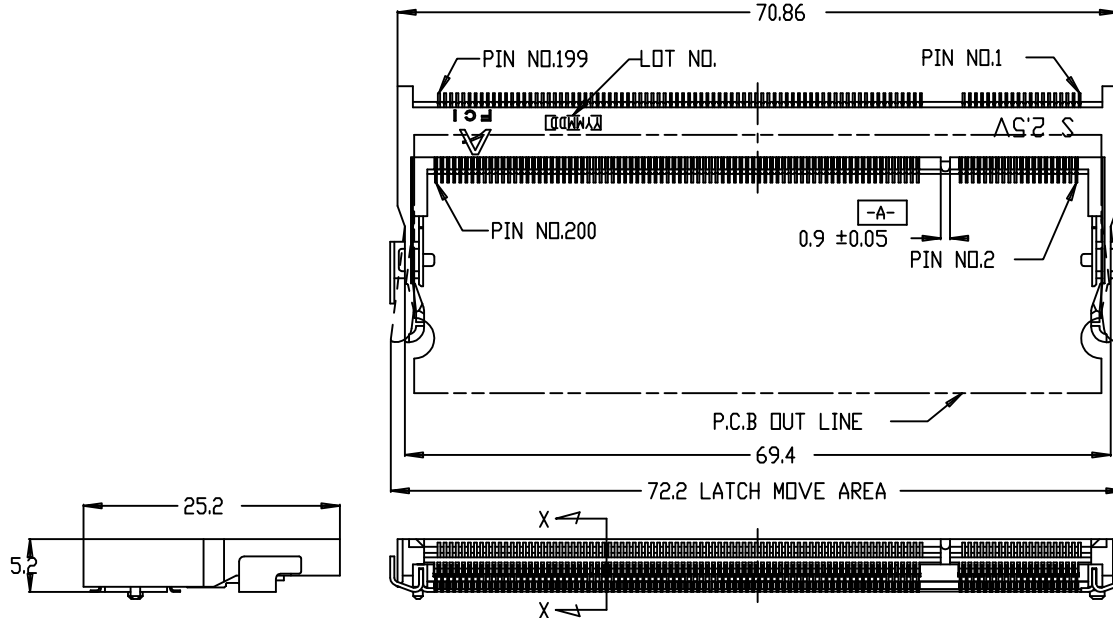
Email & Skype: info@chipsmall.com Web: www.chipsmall.com

Address: A1208, Overseas Decoration Building, #122 Zhenhua RD., Futian, Shenzhen, China



PRODUCT NO.

SEE SHEET 4



NOTE

1. PRODUCT SPEC. : GS-12-195
2. PACKAGING SPEC. : GS-14-786
3. MATERIAL
  - 1) HOUSING : LCP, UL94V-0, COLOR BLACK
  - 2) CONTACT : PHOSPHOR BRONZE
  - 3) HOLD DOWN : BRASS
4. FINISH
  - 1) TERMINAL : SEE TABLE
  - 2) HOLD DOWN : SEE TABLE
5. CO-PLANARITY : 0.1 MAX.(INCLUDE HOLD DOWN)
6. THIS PRODUCT MEETS EUROPEAN UNION DIRECTIVES AND OTHER COUNTRY REGULATIONS AS DESCRIBED IN GS-22-008.
7. THE HOUSING WILL WITHSTAND EXPOSURE TO 260° PEAK TEMPERATURE FOR 10 SECONDS IN A REFLOW SOLDER APPLICATION.

mat'l code				tolerances unless otherwise specified			CUSTOMER COPY	 www.fcconnect.com		
ltr	ecn no	dr	date	linear	.X ± 0.38/.015		projection	title		
A	DG06-0183	C S	05-12-06		.XX ± 0.25/.010			DDR SO-DIMM 0.6mm PITCH 200P		
B	DG06-0535	C S	12/14/06		.XXX ± 0.15/.005			STANDARD TYPE ASS'Y		
C	DG08-0333	B L	12/01/08	angles	0° ± 2°		 scale 1:1	product family	DDR	code
				dr	CHARLIE S	05/12/06'		size	dwg no	sheet
				eng	CHARLIE S	05/12/06'		A4	10069102	1 of 4
				chr	BEER FU	05/12/06'				
				appd	JOESPH HSIA	05/12/06'				
sheet index	revision sheet	C	C	C	C	C				
		1	2	3	4					

Tous droits strictement reserves. Reproduction ou communication a des tiers interdite sous quelque forme que ce soit sans autorisation ecrite du Propriete de c FCI. Droits de reproduction FCI.



All rights strictly reserved. Reproduction or issue to third parties in any form whatever is not permitted without written authority from the proprietor. Property of FCI. Copyright FCI.

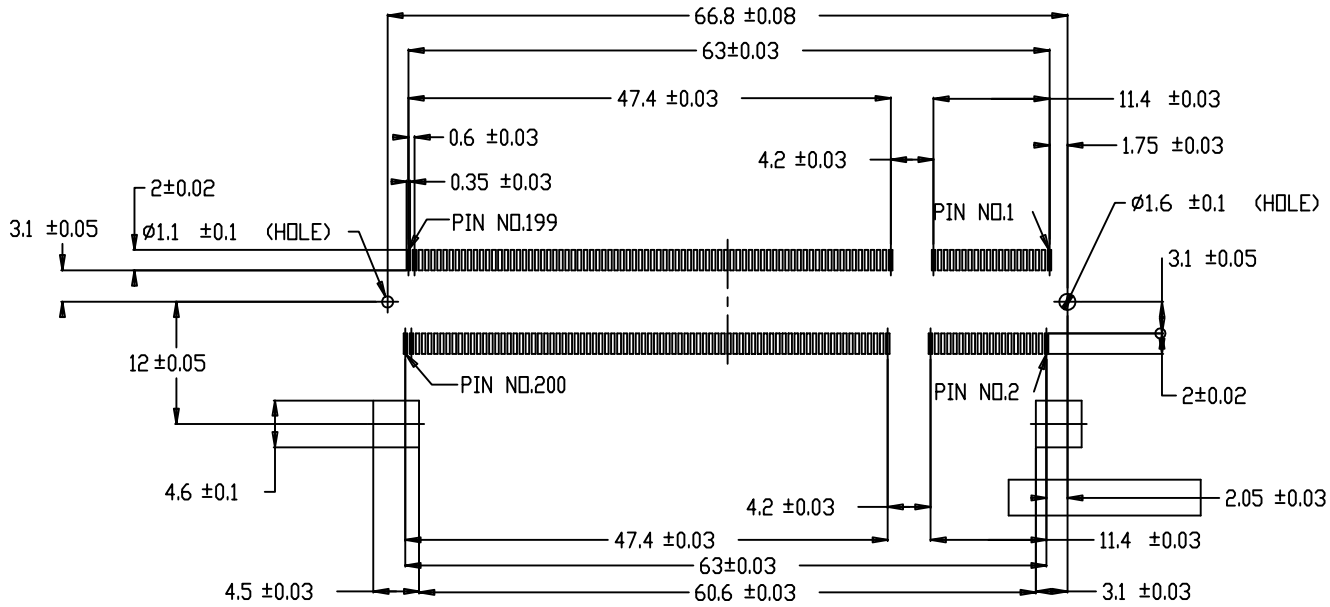
PRODUCT NO.

10069102-\*\*\*\*\*

Tous droits strictement reserves. Reproduction ou communication a des tiers interdite sous quelque forme que ce soit sans autorisation ecrite du Propriete de c FCI. Droits de reproduction FCI.



All rights strictly reserved. Reproduction or issue to third parties in any form whatever is not permitted without written authority from the proprietor. Property of FCI. Copyright FCI.



RECOMMENDED MOUNTING P.C.B LAYOUT

mat'l code		tolerances unless otherwise specified		CUSTOMER COPY		 www.fciconnect.com		
ltr	ecn no	dr	date	linear	.X ± 0.38/.015	projection	 title DDR SD-DIMM 0.6mm PITCH 200P STANDARD TYPE ASSY	
C					.XX ± 0.25/.010			
					.XXX ± 0.15/.005			
				angles	0° ±2°	 scale 1:1	product family DDR	
				dr	CHARLIE S 05/12/06'		code	DDR
				enr	CHARLIE S 05/12/06'		size	dwg no
				chr	BEER FU 05/12/06'	A4	10069102	
				appd	JOESPH HSIA 05/12/06'		sheet 2 of 4	
sheet index	revision sheet							

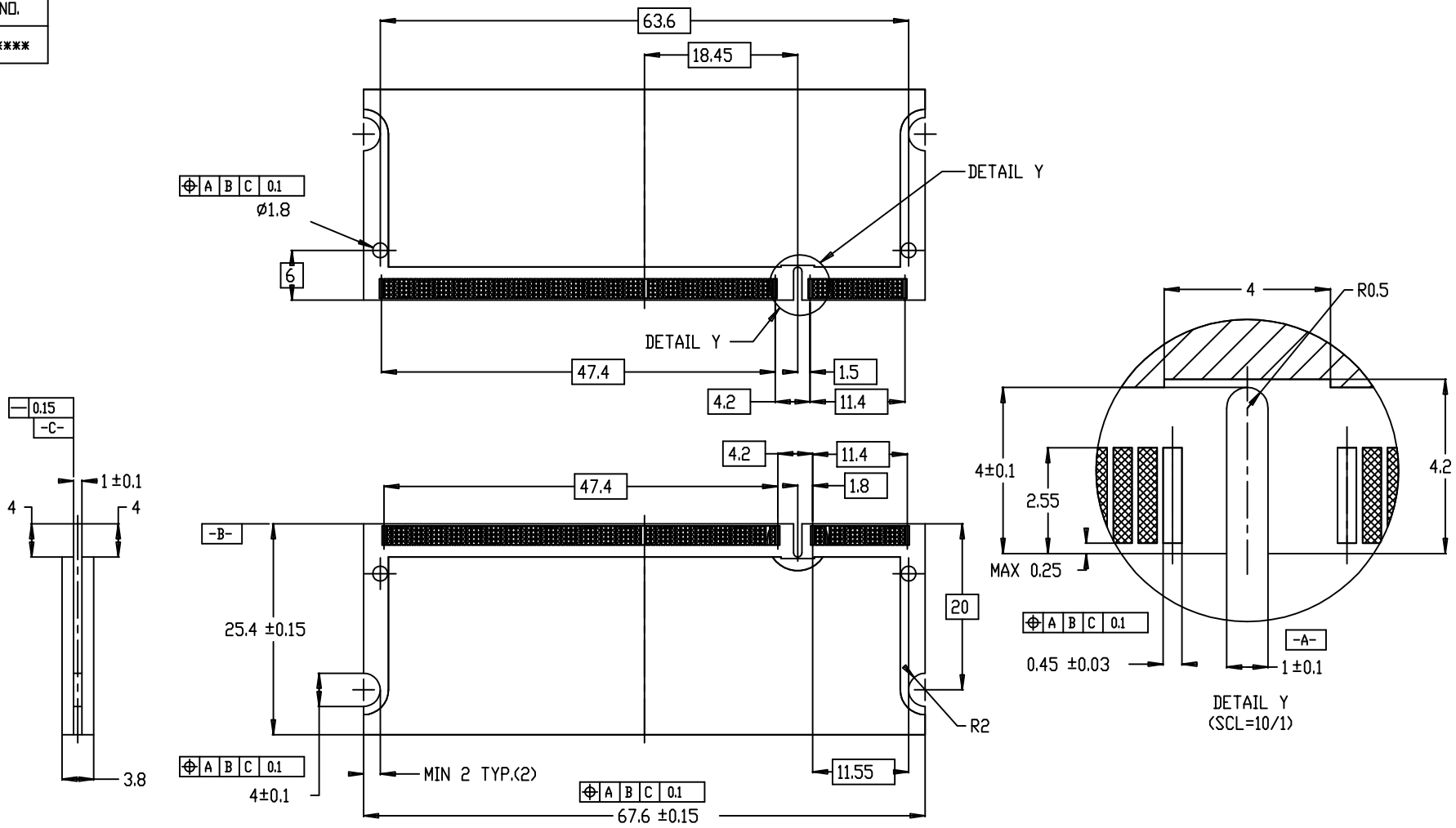


Tous droits strictement reserves. Reproduction ou communication a des tiers interdite sous quelque forme que ce soit sans autorisation écrite du propriétaire de c FCI. Droits de reproduction FCI.

All rights strictly reserved. Reproduction or issue to third parties in any form whatever is not permitted without written authority from the proprietor. Property of FCI. Copyright FCI.



PRODUCT NO.  
10069102-\*\*\*\*\*



RECOMMENDED MODULE P.C.B. LAYOUT

mat'l code		tolerances unless otherwise specified		CUSTOMER COPY		 www.fciconnect.com			
ltr	ecn no	dr	date	linear	.X ± 0.38/.015	projection	title DDR SO-DIMM 0.6mm PITCH 200P STANDARD TYPE ASS'Y		
C					.XX ± 0.25/.010	 MM			
				angles	.XXX ± 0.15/.005			product family	DDR
					0° ± 2°	scale	code	code	
				dr	CHARLIE S 05/12/06'	1:1	A4	10069102	sheet
				engr	CHARLIE S 05/12/06'				3 of 4
				chr	BEER FU 05/12/06'				
				appd	JOESPH HSIA 05/12/06'				
sheet index	revision sheet								

1 | 2

3 |

4

ACAD

PDM: Rev:C

STATUS: Released

cage code  
22526

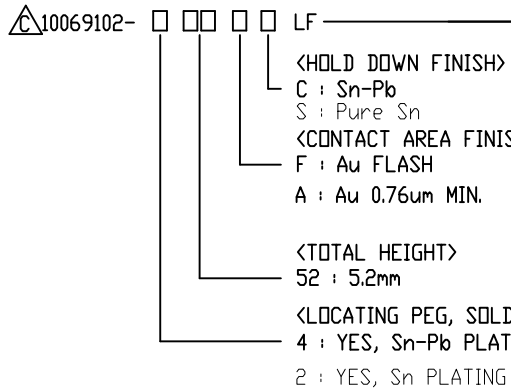
Printed: Jul 28, 2010

Tous droits strictement réservés. Reproduction ou communication a des tiers interdite sous quelque forme que ce soit sans autorisation écrite du propriétaire de c FCI. Droits de reproduction FCI.



All rights strictly reserved. Reproduction or issue to third parties in any form whatever is not permitted without written authority from the proprietor. Property of FCI. Copyright FCI.

PRODUCT NO.	LOCATING PEG	TERMINAL CONTACT AREA FINISH	HOLD DOWN FINISH	SOLDER TAIL FINISH
10069102-452FC	YES	Au FLASH	Sn-Pb PLATING	Sn-Pb PLATING
10069102-452AC	YES	Au 0.76um MIN.	Sn-Pb PLATING	Sn-Pb PLATING
10069102-252FSLF	YES	Au FLASH	Sn PLATING	Sn PLATING
10069102-252ASLF	YES	Au 0.76um MIN.	Sn PLATING	Sn PLATING



For Rohs OPTIONS:  
 TAIL PLATING CODE MUST BE 0~3.  
 HOLD DOWN PLATING CODE MUST BE 'S'.  
 'LF' CODE IS EXIST IN THE END.  
 EX: 10069102-252FSLF

FOR NOT Rohs COMPATIBLE:  
 THIS 'LF' CODE IS 'BLANK'.  
 EX:10069102-452FC

mat'l. code		tolerances unless otherwise specified		CUSTOMER COPY		 www.fcconnect.com		
ltr	ecn no	dr	date	linear	.X ± 0.38/.015	projection	 title DDR SD-DIMM 0.6mm PITCH 200P STANDARD TYPE ASS'Y	
C					.XX ± 0.25/.010			 MM
				angles	.XXX ± 0.15/.005			
					0° ±2°	scale	product family	
				dr	CHARLIE S 05/12/06'	1:1	DDR	
				eng	CHARLIE S 05/12/06'		code	
				chr	BEER FU 05/12/06'		DG	
				appd	JOESPH HSIA 05/12/06'		sheet	
sheet index	revision sheet						4 of 4	