



Chipsmall Limited consists of a professional team with an average of over 10 year of expertise in the distribution of electronic components. Based in Hongkong, we have already established firm and mutual-benefit business relationships with customers from,Europe,America and south Asia,supplying obsolete and hard-to-find components to meet their specific needs.

With the principle of “Quality Parts,Customers Priority,Honest Operation,and Considerate Service”,our business mainly focus on the distribution of electronic components. Line cards we deal with include Microchip,ALPS,ROHM,Xilinx,Pulse,ON,Everlight and Freescale. Main products comprise IC,Modules,Potentiometer,IC Socket,Relay,Connector.Our parts cover such applications as commercial,industrial, and automotives areas.

We are looking forward to setting up business relationship with you and hope to provide you with the best service and solution. Let us make a better world for our industry!



Contact us

Tel: +86-755-8981 8866 Fax: +86-755-8427 6832

Email & Skype: info@chipsmall.com Web: www.chipsmall.com

Address: A1208, Overseas Decoration Building, #122 Zhenhua RD., Futian, Shenzhen, China



MATERIAL: Self Extinguishing UL94VO THERMOPLASTICS

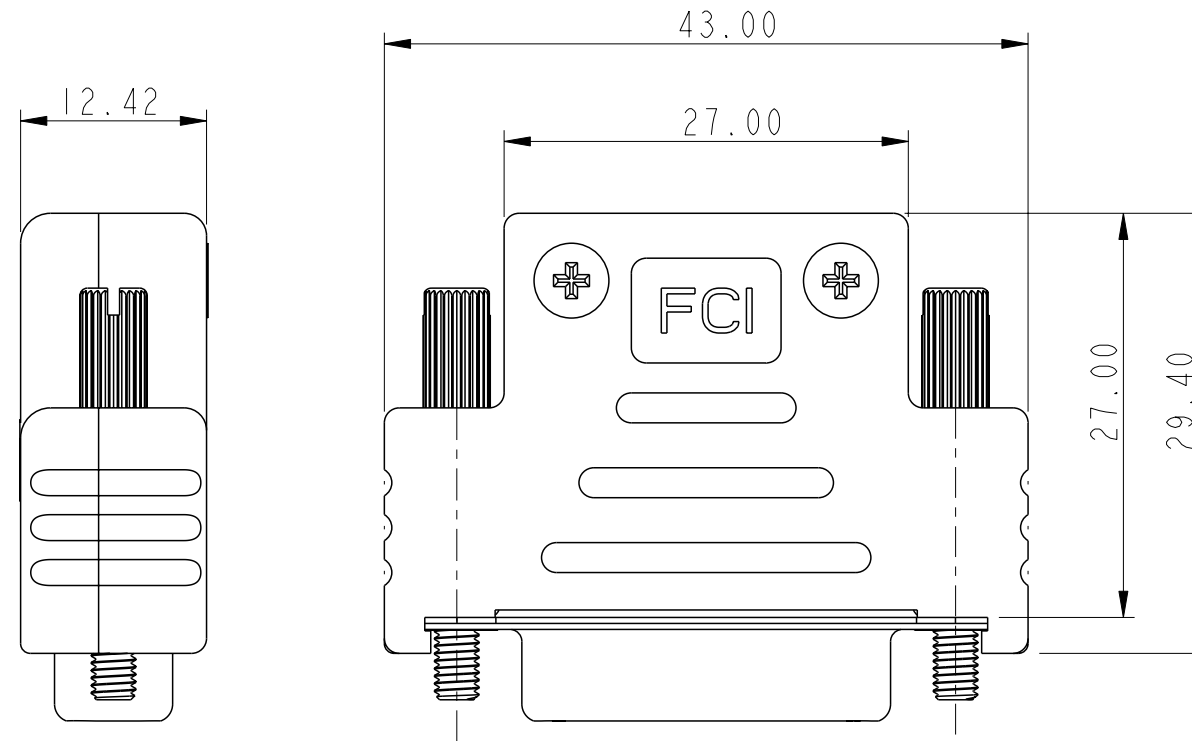
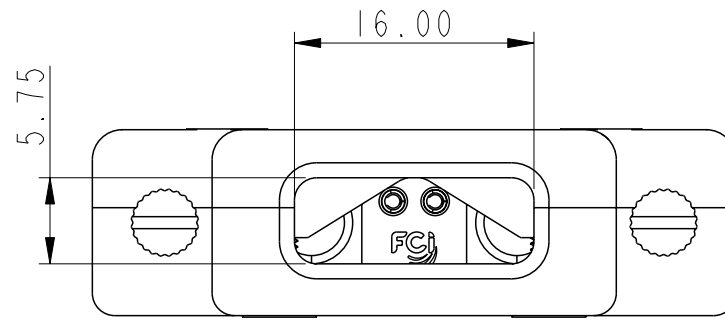
COLOUR : BLACK

TEMPERATURE RANGE : -55°C +105°C

LOCKING SCREWS : 4-40UNC THREAD

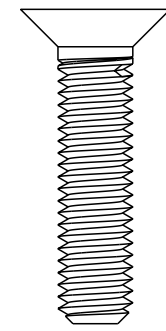
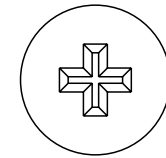
ROHS COMPLIANT

PART NO : 10070163-01LF



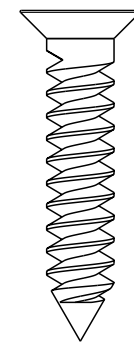
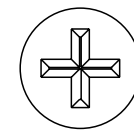
M3-CLAMP SCREW FOR STRAIN RELIEF

MATERIAL : STEEL
FINISH : Zn PASSIVATION



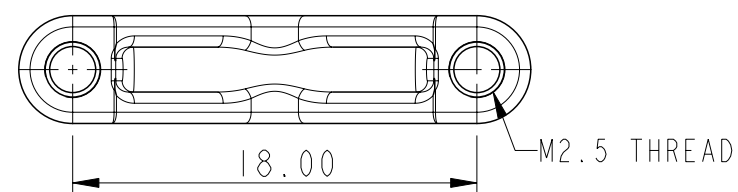
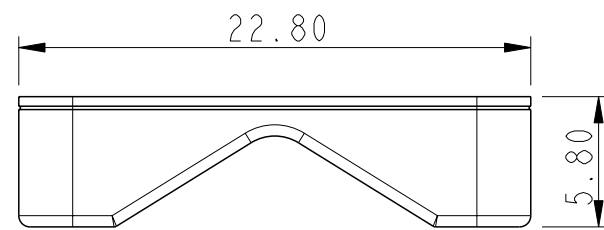
M3-CLAMP SCREW

MATERIAL : STEEL
FINISH : Zn PASSIVATION



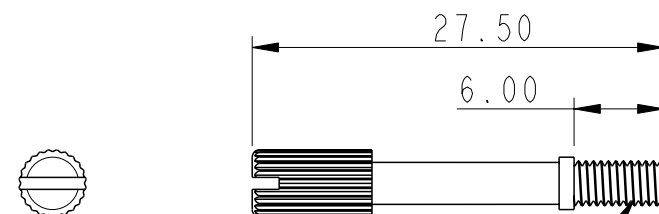
STRAIN RELIEF

MATERIAL : DIECAST-ZINC ALLOY



THUMB SCREW

MATERIAL : STEEL
FINISH : NICKEL PLATING



Straight Knurling on $\varnothing 4.5$
4 40UNC THREAD

www.fciconnect.com			surface	-	tolerance std	projection	mm	
			ISO 1302	✓	ISO 406 ISO 1101			
			TOLERANCES UNLESS OTHERWISE SPECIFIED					
Dr	NIRMAL G	2007-02-21	ANGULAR	LINEAR	0.X	±0.3	size	Scale
Eng	NIRMAL G	2007-12-28			0.XX	±0.1	A3	2:1
Chr	ANISH S	2007-12-28	0°	±1°	0.XXX	±0.05	ECN	107-0179
Appr	BIJU K PAUL	2007-12-29	Product family		D-SUB		Spec ref	
			-ST. HOOD & ACCESSORIES			dwg no	10070163	Rev.
			-MicroTCA_48V CONNECTOR HOOD					A
			catalog no	SEE NOTES	CUSTOMER	sheet 1 of 1		

rev	ecn no	dr	date
A	107-0179	NG	2007-12-29
-	-	-	-
-	-	-	-
-	-	-	-
-	-	-	-



Copyright FCI.