



Chipsmall Limited consists of a professional team with an average of over 10 year of expertise in the distribution of electronic components. Based in Hongkong, we have already established firm and mutual-benefit business relationships with customers from,Europe,America and south Asia,supplying obsolete and hard-to-find components to meet their specific needs.

With the principle of “Quality Parts,Customers Priority,Honest Operation,and Considerate Service”,our business mainly focus on the distribution of electronic components. Line cards we deal with include Microchip,ALPS,ROHM,Xilinx,Pulse,ON,Everlight and Freescale. Main products comprise IC,Modules,Potentiometer,IC Socket,Relay,Connector.Our parts cover such applications as commercial,industrial, and automotives areas.

We are looking forward to setting up business relationship with you and hope to provide you with the best service and solution. Let us make a better world for our industry!



## Contact us

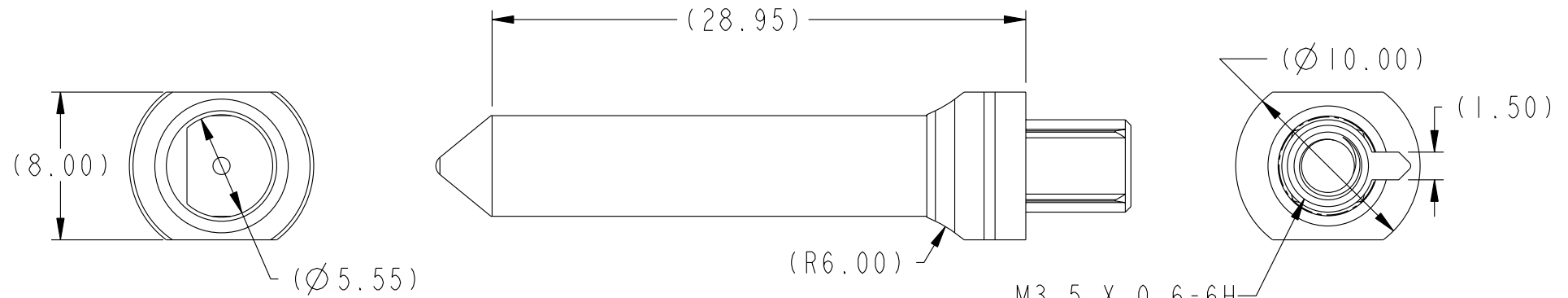
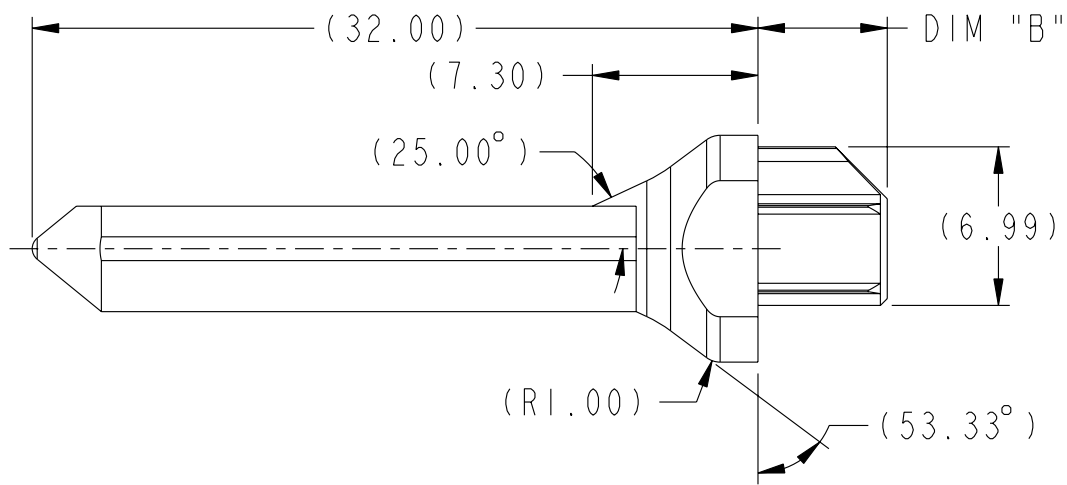
Tel: +86-755-8981 8866 Fax: +86-755-8427 6832

Email & Skype: info@chipsmall.com Web: www.chipsmall.com

Address: A1208, Overseas Decoration Building, #122 Zhenhua RD., Futian, Shenzhen, China



PRODUCT NUMBER  
SEE TABLE, SHT 3



M3.5 X 0.6-6H  
SEE TABLE DIM "D"  
FOR THREAD DEPTH

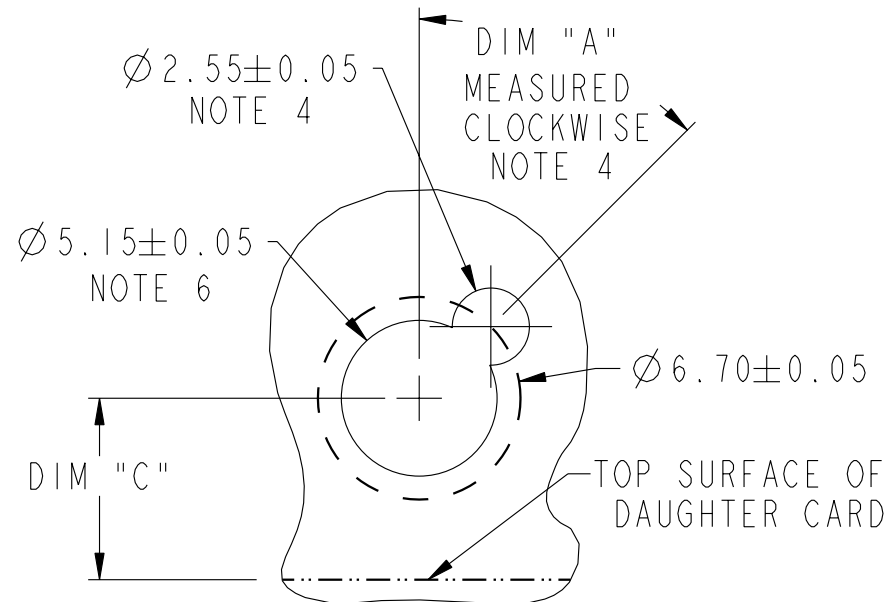


Copyright FCI.

rev	ecn no	dr	date
A	S07-0096	CH	2007-04-02
-	-	-	-
-	-	-	-
-	-	-	-
-	-	-	-
-	-	-	-

www.fciconnect.com		surface 3.2 ASME Y14.5	tolerance std ASME Y14.5 3.2	projection MM
TOLERANCES UNLESS OTHERWISE SPECIFIED		TOLERANCES UNLESS OTHERWISE SPECIFIED		size A4
Dr	C. H. TAN	2006-06-29	ANGULAR	Scale 3:1
Eng	C. H. TAN	2006-06-29	LINEAR	0.X ±0.3
Chr	C. H. TAN	2007-04-02	0° ±2°	0.XX ±0.10
Appr	JOEY NG	2007-04-02	0.XXX ±0.050	ECN ***
Product family AirMax Accessories			Spec ref	-
FCI logo		10.8mm GUIDE PIN, INTERNAL THREAD, W/ CHAMFER LEAD-IN		Rev. A
catalog no	-	dwg no	10070288	sheet 1 of 3
CUSTOMER		-		

PRODUCT NUMBER	DIM "B"	DIM "C" 4/5 PAIR	DIM "C" 2/3 PAIR	DIM "D"
10070288-104LF	2.40	6.00	4.50	4.10



RECOMMENDED PCB LAYOUT  
NOTES 4, 5 & 6  
SCALE 4:1

10.8 MM RECEPTACLE GUIDE MODULE NOTE 4	DIM "A"
10037912-1X1LF	0°
10037912-1X2LF	45°
10037912-1X3LF	90°
10037912-1X4LF	135°
10037912-1X5LF	180°
10037912-1X6LF	225°
10037912-1X7LF	270°
10037912-1X8LF	315°

FCI	title	10.8mm GUIDE PIN, INTERNAL THREAD, W/ CHAMFER LEAD-IN	dwg no	10070288	Rev.	A
	catalog no	-	CUSTOMER	sheet 2 of 3		



Copyright FCI.

1

2

3

4

A

B

C

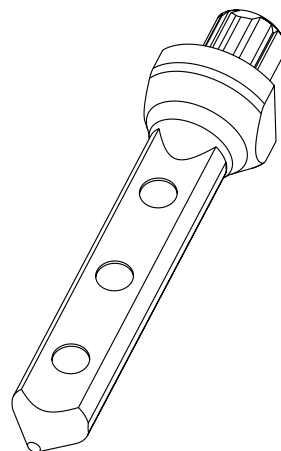
D

A

B

C

D



- ①. MATERIAL: ZINC ALLOY
2. FINISH: ZINC YELLOW CHROMATE
3. APPLICATION SPECIFICATION: GS-20-045
- ④. KEY HOLE ORIENTATION (DIM "A") WILL BE DEFINED BY THE MATING RECEPTACLE GUIDE MODULE PART NUMBER - SEE TABLE (ORIENTATION SHOWN IS FOR 10037912-1X2LF)
- ⑤. REFER TO CUSTOMER DRAWING 10035911 FOR INFORMATION REGARDING PCB LAYOUT OF POWER AND GUIDE MODULES RELATIVE TO SIGNAL MODULES
6. THRU HOLE PLATING AND ANNULAR RINGS MUST BE ADDED IN APPLICATIONS THAT USE THE ESD GROUNDING OPTION FINISHED HOLE SIZE IS THE SAME REGARDLESS OF PLATED BARREL OR NOT.
7. THIS PRODUCT MEETS EUROPEAN UNION DIRECTIVES AND OTHER COUNTRY REGULATIONS AS DESCRIBED IN GS-22-008.
8. PACKAGING MEETS GS-14-920 LEAD FREE LABELING SPECIFICATION.



Copyright FCI.

	title 10.8mm GUIDE PIN, INTERNAL THREAD, W/ CHAMFER LEAD-IN	dwg no 10070288	Rev. A
	catalog no -	CUSTOMER	sheet 3 of 3