



Chipsmall Limited consists of a professional team with an average of over 10 year of expertise in the distribution of electronic components. Based in Hongkong, we have already established firm and mutual-benefit business relationships with customers from,Europe,America and south Asia,supplying obsolete and hard-to-find components to meet their specific needs.

With the principle of “Quality Parts,Customers Priority,Honest Operation,and Considerate Service”,our business mainly focus on the distribution of electronic components. Line cards we deal with include Microchip,ALPS,ROHM,Xilinx,Pulse,ON,Everlight and Freescale. Main products comprise IC,Modules,Potentiometer,IC Socket,Relay,Connector.Our parts cover such applications as commercial,industrial, and automotives areas.

We are looking forward to setting up business relationship with you and hope to provide you with the best service and solution. Let us make a better world for our industry!



## Contact us

Tel: +86-755-8981 8866 Fax: +86-755-8427 6832

Email & Skype: info@chipsmall.com Web: www.chipsmall.com

Address: A1208, Overseas Decoration Building, #122 Zhenhua RD., Futian, Shenzhen, China



1

2

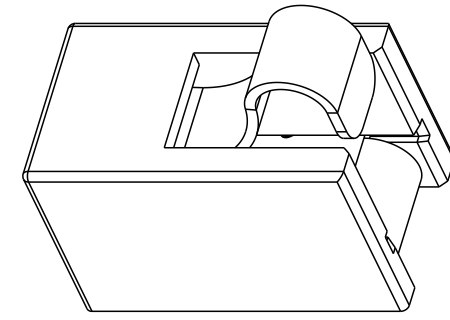
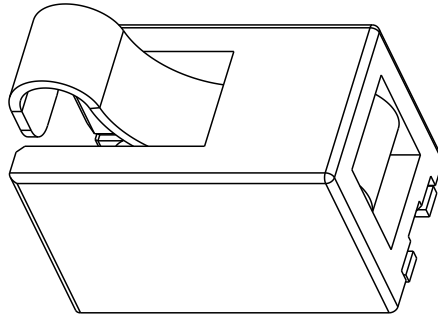
3

4

P/N	PLATING
10073574-001LF	30u" Au
10073574-009LF	30u" GXT

A

B



A

B



NOTES:

- 1. MATERIAL:  
HOUSING: G/F LCP, UL 94V-0, COLOR: BLACK.  
CONTACT: COPPER ALLOY, THICKNESS=0.15MM.  
PLATING: 50u" MIN. OF Ni UNDERPLATE, PURE TIN ON SOLDER TAIL,  
CONTACT AREA PLATING 30u" HARD GOLD OR 30u" GXT.
- 2. PRODUCT PERFORMANCE SPEC. PER GS-12-455.
- 3. PACKAGE SPEC. PER GS-14-1120.
- 4. THIS PRODUCT IS RoHS COMPLIANT, AND MEETS EUROPEAN UNION DIRECTIVES AND OTHER COUNTRY REGULATIONS AS PER GS-22-008.

rev	ecn no	dr	date
A	DG07-0106	D T	2007-03-29
B	ELX-DG-14934-1	A L	2013-06-07
-	-	-	-
-	-	-	-
-	-	-	-
-	-	-	-

C

Copyright FCI.

C

spec ref		RELEASED		dr	w wadmin	2007/03/29	projection 	MM 	size	A4	scale	10.000
tolerance std		TOLERANCES UNLESS OTHERWISE SPECIFIED		eng	Andy Lu	2013/06/07			ecn no		ELX-DG-14934-1	
ASME Y14.5				chr	Webber Yan	2013/06/08			rel level		Released	
surface	linear	0.X	±0.3	FCI	title	ANTENNA CONNECTOR ASSEMBLY	cat. no.	10073574	Product - Customer Drw	sheet 1 of 2	rev	B
		0.XX	±0.15									
ASME Y14.5	angular	0°	±2°	www.fci.com								

ProdE File - REV C - 2009-06-09

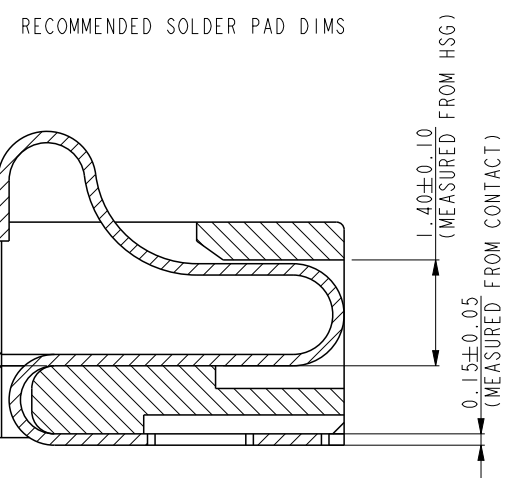
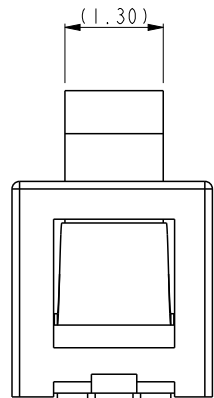
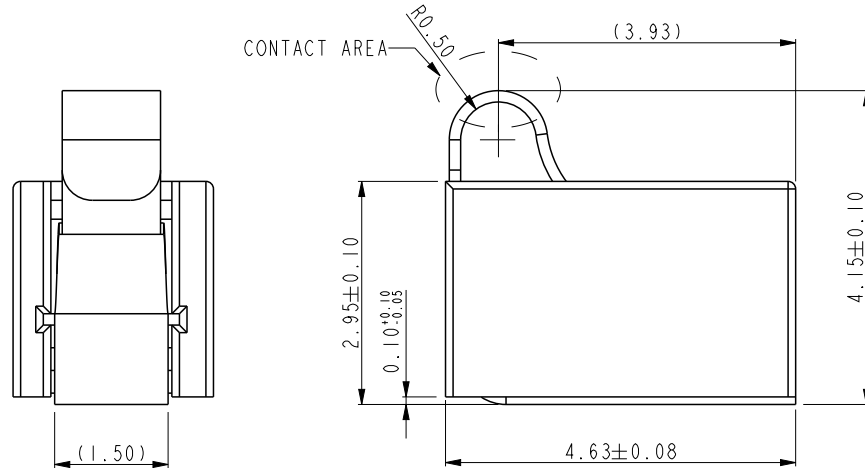
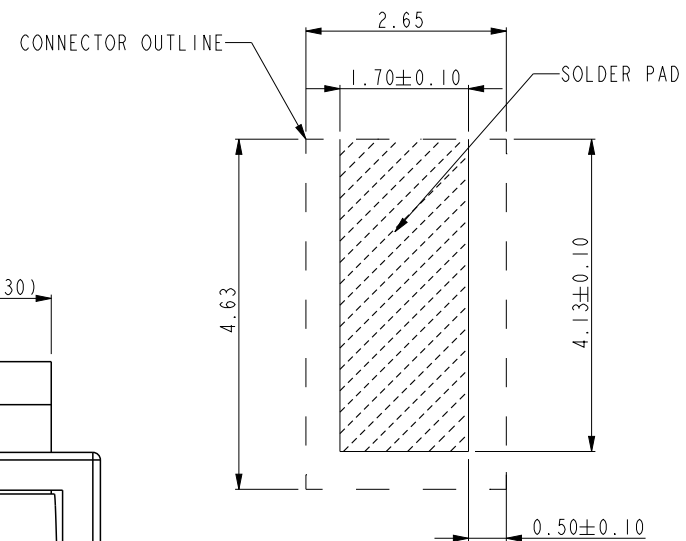
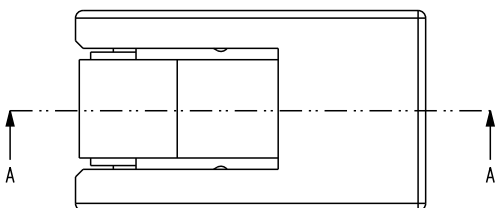
1

2

3

4

P/N	PLATING
10073574-001LF	30u" Au
10073574-009LF	30u" GXT



SECTION A-A  
SCALE 10.000



Copyright FCI.

spec ref		RELEASED		dr	w wadmin	2007/03/29	projection	MM	size	A4	scale	10.000
tolerance std		TOLERANCES UNLESS OTHERWISE SPECIFIED		eng	Andy Lu	2013/06/07			←→	ecn no	ELX-DG-14934-1	
ASME Y14.5				chr	Webber Yan	2013/06/08				rel level	Released	
surface		linear	0.X	±0.3	FCI	title	product family		dwg no	10073574	rev	B
ASME Y14.5			0.XX	±0.15			www.fci.com	cat. no.				
		0.XXX	±0.080									
		angular	0°	±2°								

ProjE File - REV C - 2009-06-09