



Chipsmall Limited consists of a professional team with an average of over 10 year of expertise in the distribution of electronic components. Based in Hongkong, we have already established firm and mutual-benefit business relationships with customers from,Europe,America and south Asia,supplying obsolete and hard-to-find components to meet their specific needs.

With the principle of "Quality Parts,Customers Priority,Honest Operation,and Considerate Service",our business mainly focus on the distribution of electronic components. Line cards we deal with include Microchip,ALPS,ROHM,Xilinx,Pulse,ON,Everlight and Freescale. Main products comprise IC,Modules,Potentiometer,IC Socket,Relay,Connector.Our parts cover such applications as commercial,industrial, and automotives areas.

We are looking forward to setting up business relationship with you and hope to provide you with the best service and solution. Let us make a better world for our industry!



Contact us

Tel: +86-755-8981 8866 Fax: +86-755-8427 6832

Email & Skype: info@chipsmall.com Web: www.chipsmall.com

Address: A1208, Overseas Decoration Building, #122 Zhenhua RD., Futian, Shenzhen, China



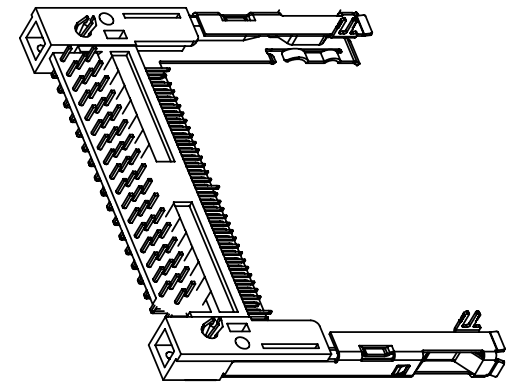
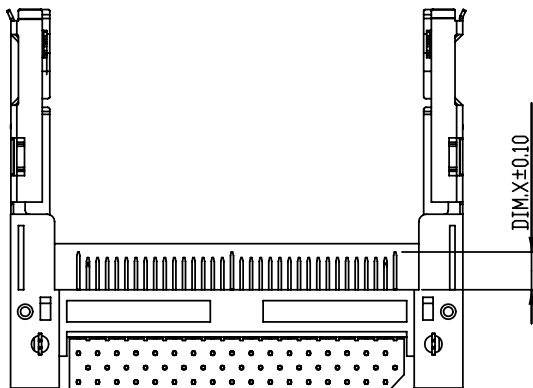
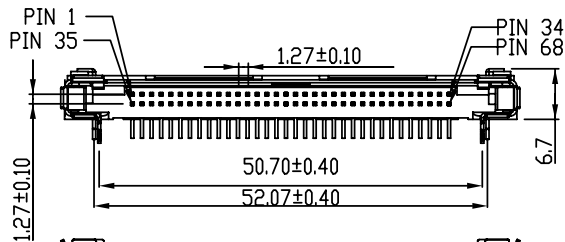
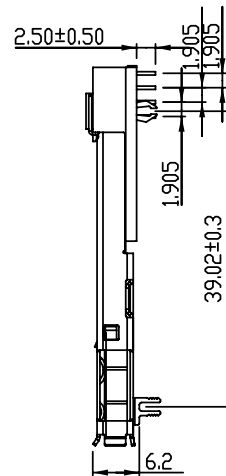
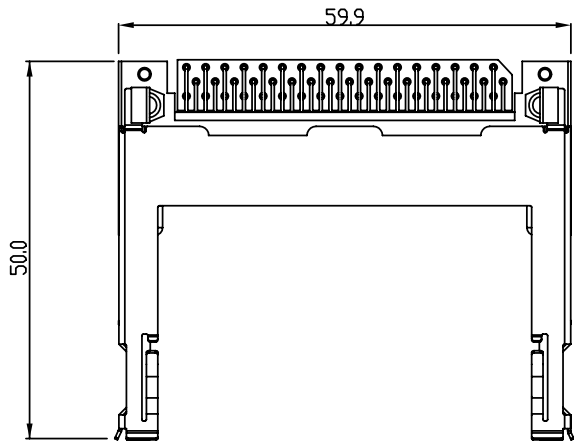
PRODUCT NO.
10074595-001LF
10074595-000MLF

LOW COST REVISION NONE: NO
M: YES
HALOGEN FREE OPTIONAL 0: NO
1: YES
STAND OFF 0: 0MM
5: 5MM

NOTES:

1. MATERIAL
 - 1.1 HEADER ASS'Y:
 - PLASTIC:HOUSING..PLASTIC UL94-V0 BLACK
 - PIN: COPPER ALLOY
 - COVER PLATE: STEEL
2. FINISH
 - UNDER PLATING :1.27 um MIN. Ni
 - CONTACT AREA :0.075 um MIN. GOLD OVER
 - SOLDER TAIL : 2.5 um MIN.PURE TIN
 - COVER PLATE:0.5 um Ni MIN UNDER 2.54um PURE TIN MIN
 - [PLATING OF HOLD DOWN AREA MUST MEET THIS SPEC, NOT CONTROL OTHER AREA]
3. DIM "X"

4.25±0.10	3.5±0.10	5.0±0.10
OTHERS	36,67	1,17,34,35,51,68
4. IF LEAD FREE P/N,THE HOUSING WILL WITHSTAND EXPOSURE TO 260° C PEAK TEMPERATURE FOR 10 SECONDS IN A WAVE SOLDER APPLICATION WITH A 1.0MM MINIMUM THICK CIRCUIT BOARD.
5. LEAD FREE PRODUCT MEETS EUROPEAN UNION DIRECTIVES AND OTHER COUNTRY REGULATIONS AS DISCRIBED IN GS-22-008
6. PACKAGE MEETS GS-14-1090 SPECIFICATION



www.fciconnect.com				surface <input checked="" type="checkbox"/>	tolerance std	projection			
				TOLERANCES UNLESS OTHERWISE SPECIFIED					
Dr	MIKE ZHOU	11/20/06		ANGULAR	LINEAR	0.X	±0.3	size A4	Scale 1.000
Eng	MIKE ZHOU	11/20/06				0.XX	±0.15		
Chr	QIN DAVID	11/20/06		0°	±2°	0.XXX	±0.10	ECN	
Appr	WANG JACK	11/20/06		Product family			-	Spec ref	
						title 5.0V PCMCIA ASSEMBLY		Rev. J	
				catalog no		-		sheet 1 of 4	

rev	ecn no	dr	date
H	N10-0062	SH	03/31/10
J	N10-0205	SH	07/12/10
-	-	-	-
-	-	-	-
-	-	-	-
-	-	-	-



Copyright FCI.

1

2

3

4

PRODUCT NO.
 10074595-051MLF
 10074595-050MLF



LOW COST REVISION NONE: NO
 M: YES
 HALOGEN FREE OPTIONAL 0: NO
 1: YES
 STAND OFF 0: 0MM
 5: 5MM

NOTES:

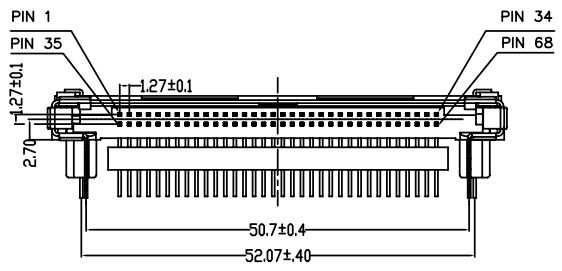
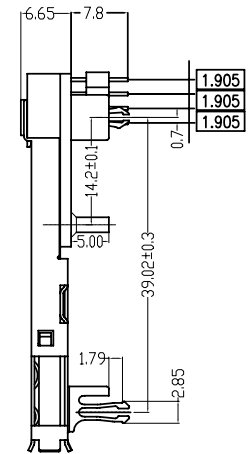
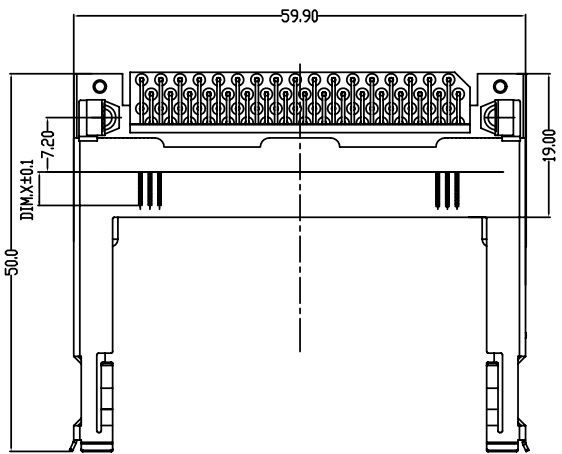
- MATERIAL
 - 1.1 HEADER ASS'Y:
 - PLASTIC: HOUSING...PLASTIC UL94-VO BLACK
 - PIN : COPPER ALLOY.
 - COVER PLATE :SPCC.
 - PLATING: ALL AREA PLATING 3.75um NICKEL Min
 - LOCATOR: PBT, BLACK.
 - HOLDDOWN : COPPER ALLOY
 - PLATING: BRIGHT PURE TIN 2.54um Min
 - OVER 0.508um NI Min

- FINISH (PIN)
 - UNDER PLATING :1.27um MIN. Ni
 - CONTACT AREA :0.075 u m MIN. GOLD OVER
 - SOLDER TAIL : 2.5 u m MIN.PURE TIN

3. DIM "X"

4.25±0.1	3.5±0.1	5.0±0.1
OTHERS	36,67	1,17,34,35,51,68

- IF LEAD FREE P/N, THE HOUSING WILL WITHSTAND EXPOSURE TO 260° C PEAK TEMPERATURE FOR 10 SECONDS IN A WAVE SOLDER APPLICATION WITH A 1.00MM MINIMUM THICK CIRCUIT BOARD.
- LEAD FREE PRODUCT MEETS EUROPEAN UNION DIRECTIVES AND OTHER COUNTRY REGULATIONS AS DISCRIBLED IN GS-22-008
- IF LEAD FREE P/N, PACKAGE MEETS GS-14-1090 SPECIFICATION



Copyright FCI.

www.fciconnect.com			surface 6.4 Iso 1302	tolerance std Iso406 Iso 1101	projection --
			TOLERANCES UNLESS OTHERWISE SPECIFIED		
Dr	MIKE ZHOU	11/20/06	ANGULAR	LINEAR	size A4
Eng	MIKE ZHOU	11/20/06			
Chr	QIN DAVID	11/20/06	0° ± 2°	0.XXX ± 0.05	ECN N10-0205
Appr	WANG JACK	11/20/06	Product family PCMCIA		Spec ref *
title PCMCIA ASS'Y (5V)		catalog no *		dwg no 10074595	Rev. J
			CUSTOMER		sheet 2 of 4

1

2

3 PDM: Rev:J

STATUS: Released

4 Printed: Nov 17, 2010

1

2

3

4

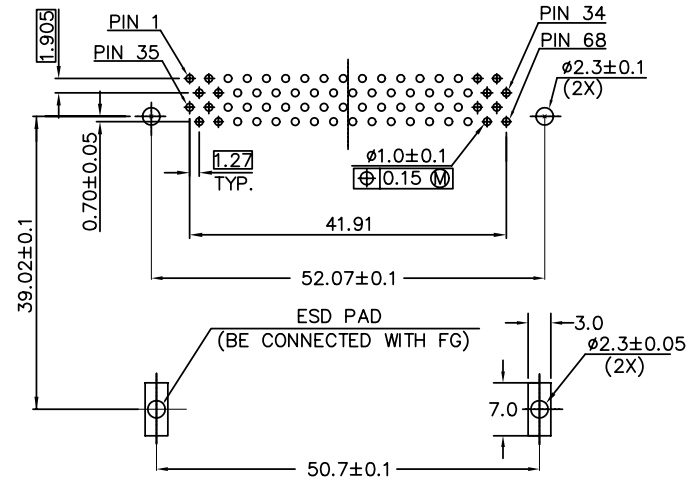
PRODUCT NO.
10074595-001LF/000MLF

A

B

C

D



4 CARD INSERTION DIRECTION
RECOMMENDED FOOT PRINT(MOUNTED SIDE)

A

B

C

D



Copyright FCI.

www.fciconnect.com			surface 6.4/ Iso 1302	tolerance std Iso406 Iso 1101	projection --	TOLERANCES UNLESS OTHERWISE SPECIFIED		
Dr	MIKE ZHOU	11/20/06	ANGULAR	LINEAR	0.X	± 0.3	size A4	Scale 1.000
Eng	MIKE ZHOU	11/20/06			0.XX	± 0.15		
Chr	QIN DAVID	11/20/06			0.XXX	± 0.05		
Appr	WANG JACK	11/20/06	Product family		PCMCIA	Spec ref		*
		title PCMCIA ASS'Y (5V)			dwg no 10074595		Rev. J	
catalog no					*	CUSTOMER	sheet 3 of 4	

REV F - 2006-04-17

1

2

3 PDM: Rev:J

STATUS: Released

4 Printed: Nov 17, 2010

1

2

3

4

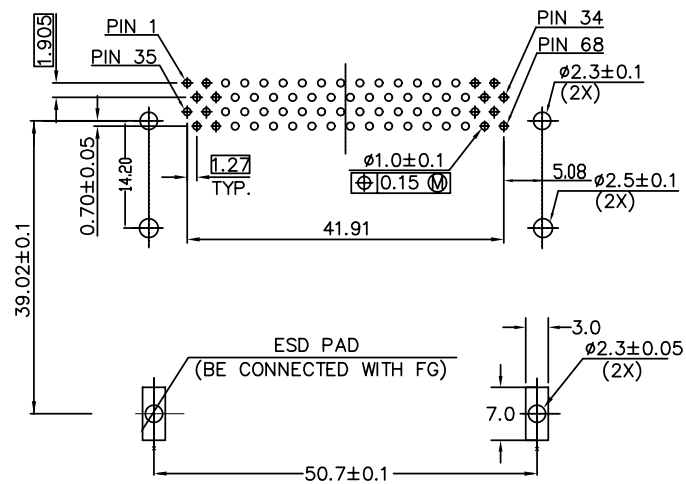
PRODUCT NO.
10074595-051MLF/050MLF

A

B

C

D



4 CARD INSERTION DIRECTION
RECOMMENDED FOOT PRINT(MOUNTED SIDE)

A

B

C

D



Copyright FCI.

www.fciconnect.com			surface 6.4/ Iso 1302	tolerance std Iso406 Iso 1101	projection --			
			TOLERANCES UNLESS OTHERWISE SPECIFIED					
Dr	MIKE ZHOU	11/20/06	ANGULAR	LINEAR	0.X	± 0.3	size A4	Scale 1.000
Eng	MIKE ZHOU	11/20/06			0.XX	± 0.15		
Chr	QIN DAVID	11/20/06			0.XXX	± 0.05	ECN	N10-0205
Appr	WANG JACK	11/20/06	Product family PCMCIA		Spec ref		*	
	title PCMCIA ASS'Y (5V)		catalog no		dwg no 10074595	Rev. J		
					*	CUSTOMER	sheet 4 of 4	

REV F - 2006-04-17

1

2

3 PDM: Rev:J

STATUS: Released

4 Printed: Nov 17, 2010