



Chipsmall Limited consists of a professional team with an average of over 10 year of expertise in the distribution of electronic components. Based in Hongkong, we have already established firm and mutual-benefit business relationships with customers from,Europe,America and south Asia,supplying obsolete and hard-to-find components to meet their specific needs.

With the principle of “Quality Parts,Customers Priority,Honest Operation,and Considerate Service”,our business mainly focus on the distribution of electronic components. Line cards we deal with include Microchip,ALPS,ROHM,Xilinx,Pulse,ON,Everlight and Freescale. Main products comprise IC,Modules,Potentiometer,IC Socket,Relay,Connector.Our parts cover such applications as commercial,industrial, and automotives areas.

We are looking forward to setting up business relationship with you and hope to provide you with the best service and solution. Let us make a better world for our industry!



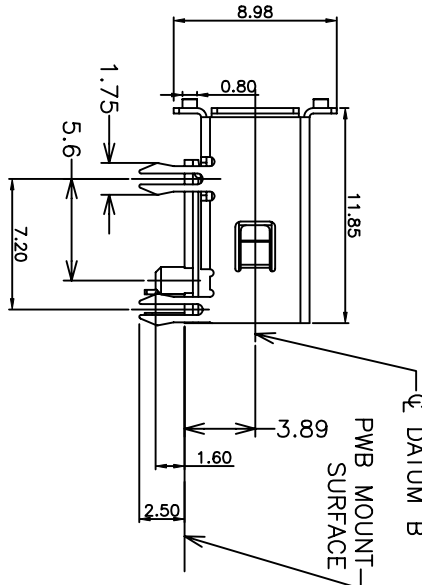
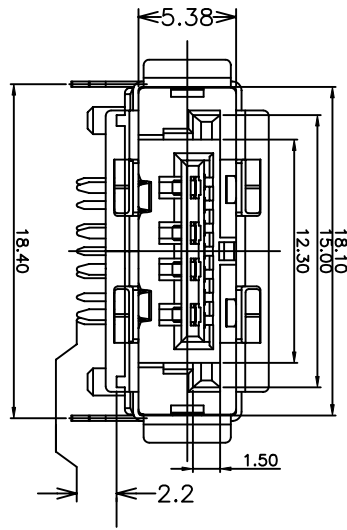
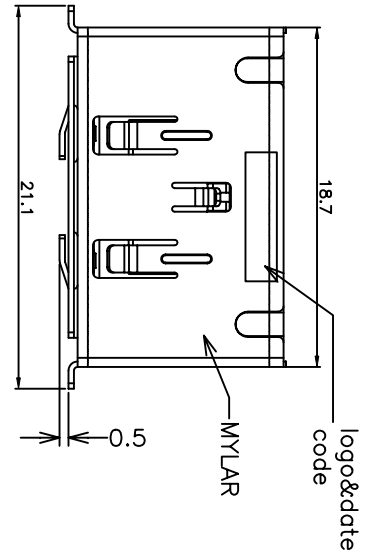
Contact us

Tel: +86-755-8981 8866 Fax: +86-755-8427 6832

Email & Skype: info@chipsmall.com Web: www.chipsmall.com

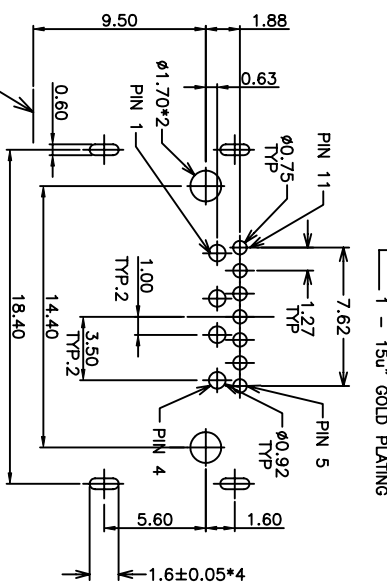
Address: A1208, Overseas Decoration Building, #122 Zhenhua RD., Futian, Shenzhen, China





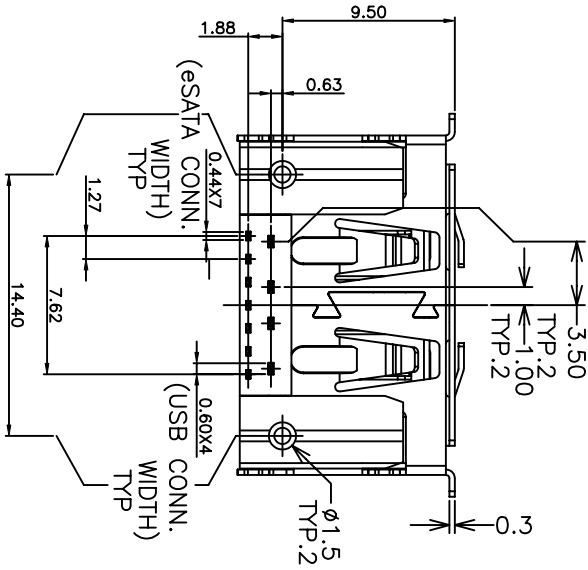
(FRONT EDGE OF CONNECTOR)

RECOMMEND P.C.B. BOARD LAYOUT
PCB TOLERANCE: ±0.05



1 - 15u" GOLD PLATING
LEAD FREE
R : TAPE & REEL PACKING

- NOTES:
1. MATERIAL: HOUSING: HIGH TEMP THERMAL PLASTIC WITH 30% G/F U194 V-0
COLOR: BLACK
ESATA CONTACT: COPPER ALLOY, T=0.20mm
USB CONTACT: COPPER ALLOY, T=0.25mm
SHELL: COPPER ALLOY, T=0.30mm
 2. FINISH: CONTACT: GOLD PLATING ON CONTACT AREA
100u" MIN. MAT TIN PLATING ON SOLDER TAILS
50u" MIN. NICKEL UNDERPLATING OVER ALL
SHELL: 50u" MIN. NICKEL UNDERPLATING OVER ALL
 3. THE HOUSING WILL WITHSTAND EXPOSURE TO 260 C TEMP. FOR 10 SECOND IN A WAVE SOLDER APPLICATION WITH A 1.6MM MIN. THICK CIRCUIT BOARD.
 4. PRODUCT GS-12-402
PACKING SPEC: GS-14-1099
 5. NUMBERING INFORMATION
10074703 - 0 0 X X LF
LEAD FREE



1 2

mot'l. code		tolerances unless otherwise specified		CUSTOMER COPY		FCI	
l/r	ecn no	dr	dtte	lineor	projection	title	www.fciconnect.com
A	108-1064	S.Lin	04/09/08	.XX ± 0.38 .XXX ± 0.25 0 ± 0.15	MM	E SATA + USB 2 IN 1 STD TYPE R/A, DIP	
sheet index	revision sheet		A	dr	scale	product family	code
				engl	NA	SATA	TWN
				chr		10074703	sheet
				pppd			1 of 1
				MINERVA WANG			

3

4

ACAD