



Chipsmall Limited consists of a professional team with an average of over 10 year of expertise in the distribution of electronic components. Based in Hongkong, we have already established firm and mutual-benefit business relationships with customers from,Europe,America and south Asia,supplying obsolete and hard-to-find components to meet their specific needs.

With the principle of “Quality Parts,Customers Priority,Honest Operation,and Considerate Service”,our business mainly focus on the distribution of electronic components. Line cards we deal with include Microchip,ALPS,ROHM,Xilinx,Pulse,ON,Everlight and Freescale. Main products comprise IC,Modules,Potentiometer,IC Socket,Relay,Connector.Our parts cover such applications as commercial,industrial, and automotives areas.

We are looking forward to setting up business relationship with you and hope to provide you with the best service and solution. Let us make a better world for our industry!



Contact us

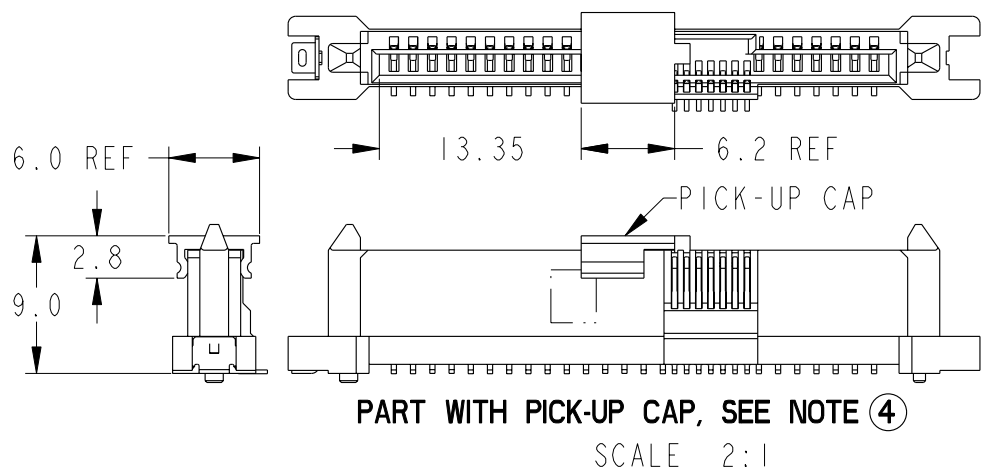
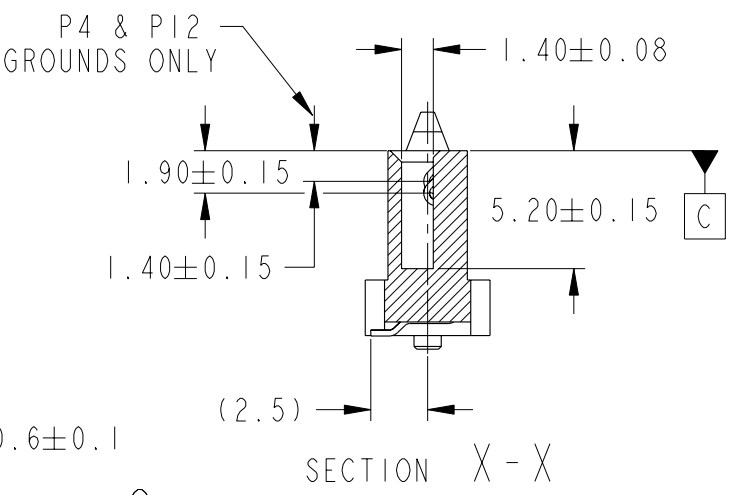
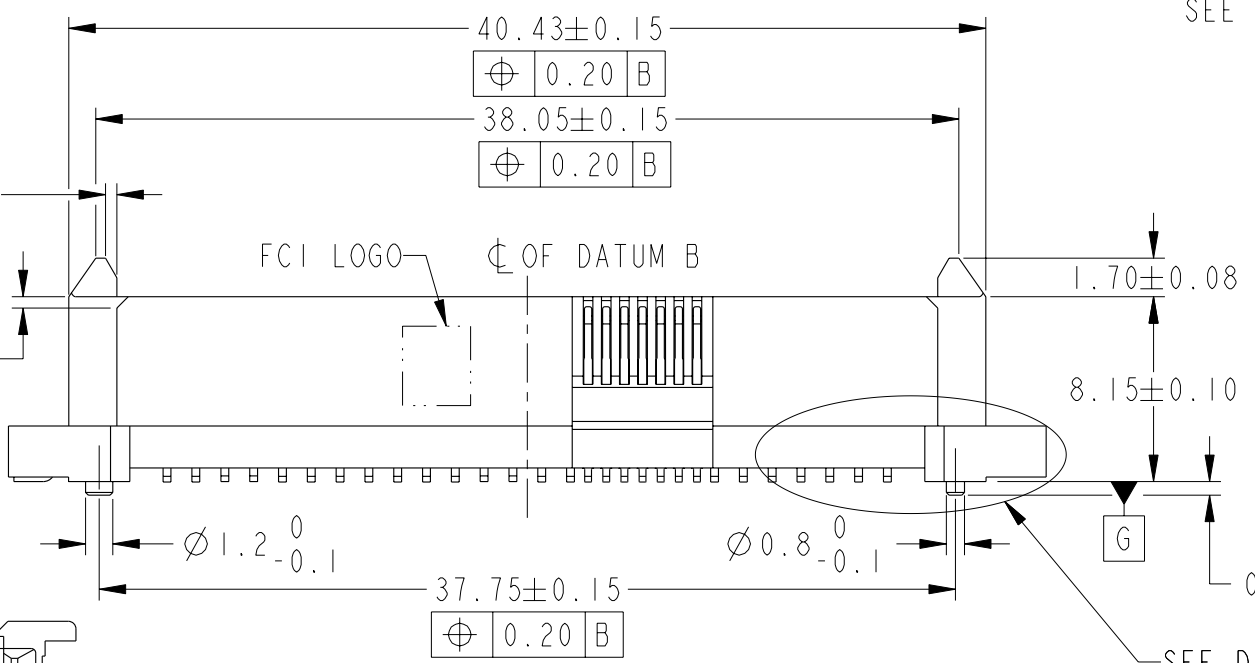
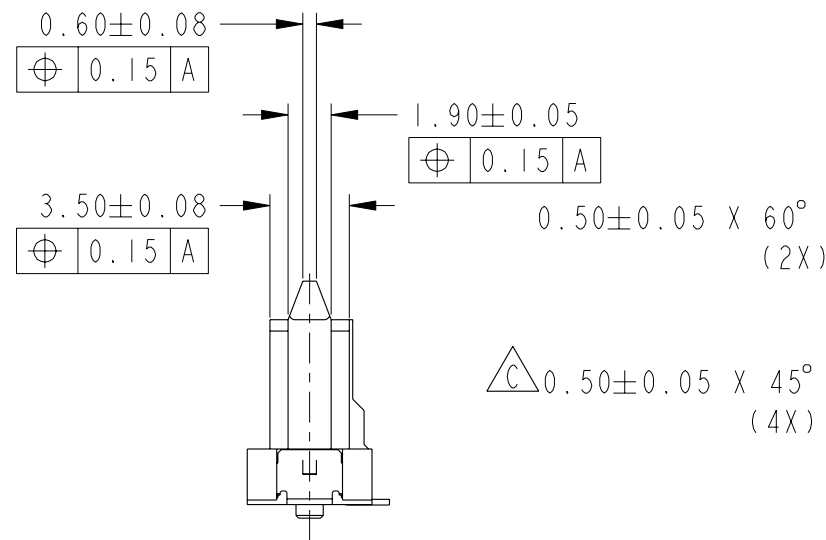
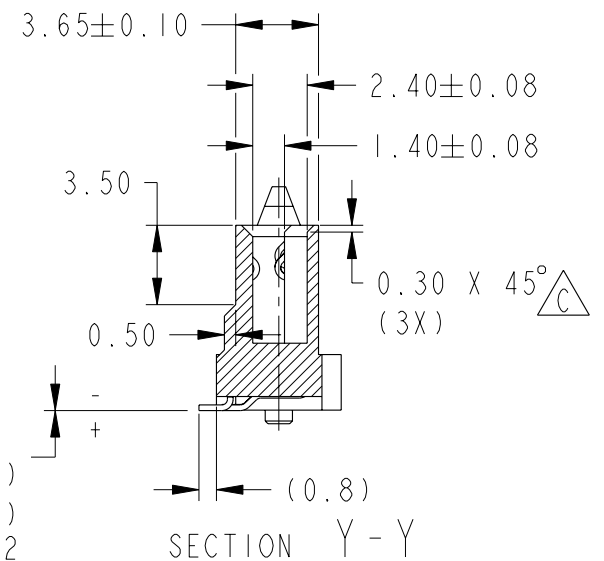
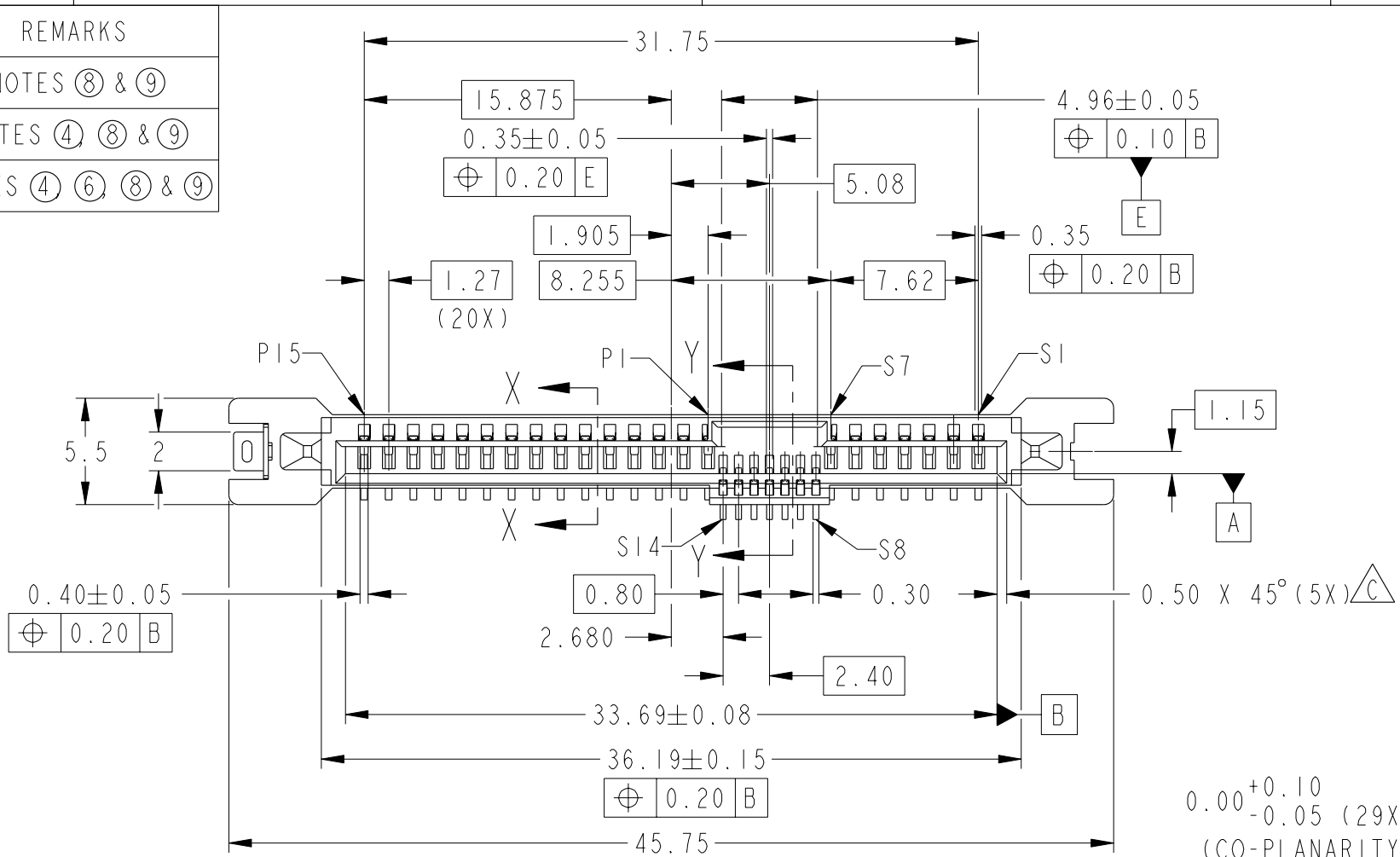
Tel: +86-755-8981 8866 Fax: +86-755-8427 6832

Email & Skype: info@chipsmall.com Web: www.chipsmall.com

Address: A1208, Overseas Decoration Building, #122 Zhenhua RD., Futian, Shenzhen, China



PRODUCT NO	METAL CLIP	REMARKS
10077259-001LF	1 PC	NOTES ⑧ & ⑨
10077259-001CLF		NOTES ④, ⑧ & ⑨
10077259-001C-TRLF		NOTES ④, ⑥, ⑧ & ⑨



spec ref	-	dr	GL LOO	2007-03-06	projection	MM	size	A3	scale	3:1	
tolerance std	ISO 406 ISO 1101	eng	GL LOO	2007-03-06	⊕	←→	ecn no	S10-0228			
TOLERANCES UNLESS OTHERWISE SPECIFIED		chr	GL LOO	2010-10-28			product family	SAS	rel level	-	
surface	✓	appr	JOEY NG	2010-10-28	SAS			rel level	-		
ISO 1302	linear	0.X	±	www.fci.com	SAS RECEPTACLE			10077259	rev		C
		0.XX	±0.20		VERTICAL SMT TYPE ASSY				cat. no.		-
	angular	0°	±2°		Product - Customer Drw				sheet 1 of 3		



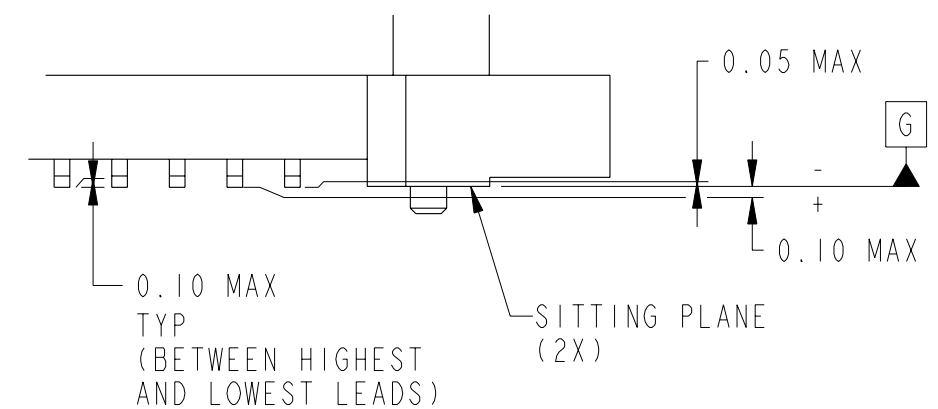
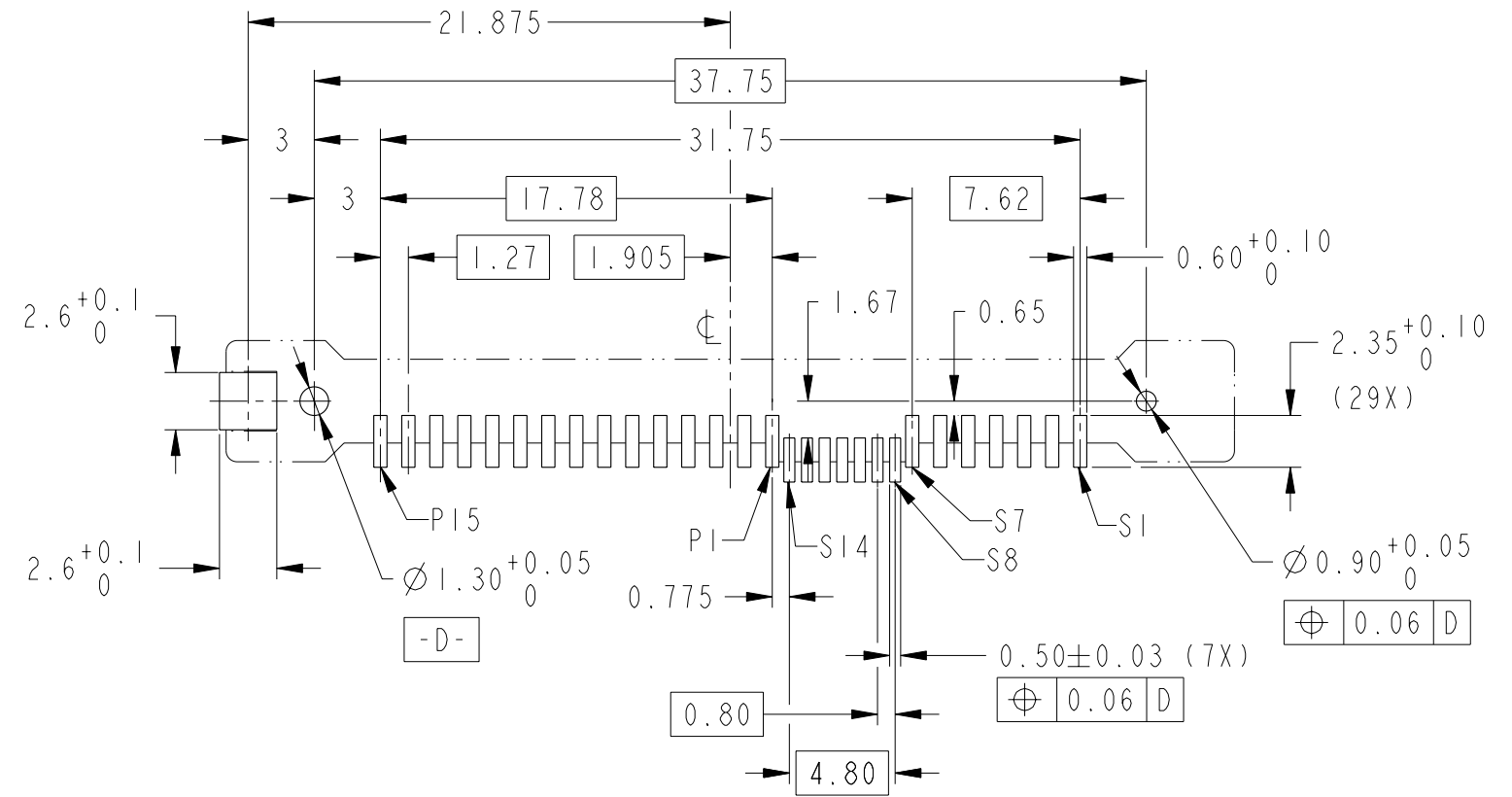
Copyright FCI.

PRODUCT NO
SEE TABLE

RECOMMENDED PCB LAYOUT

NOTES:

1. MATERIAL :
1) HOUSING : HIGH TEMP THERMOPLASTIC,
UL 94V-0, BLACK COLOR
2) TERMINAL : COPPER ALLOY
3) HOLD DOWN : COPPER ALLOY
2. FINISH :
1) TERMINAL : 30μ" Au PLATING (CONTACT POINT)
OVER 50μ" NICKEL
2) SOLDER TAIL : 100μ" MIN Sn OVER 50μ" NICKEL
3) HOLD DOWN : 100μ" MIN Sn OVER 50μ" NICKEL
- ③ PER SFF REV 1.1
- ④ PART WITH PICK-UP CAP, P/N XXXXXXXX-XXXX LF.
- ⑤ THE STD PACKAGING IS IN TRAY
- ⑥ FOR TAPE & REEL PACKAGING, SUFFIX "-TR" ADDED,
P/N XXXXXXXX-XXXX-TR LF
7. THE HOUSING WILL WITHSTAND EXPOSURE TO 260°C PEAK
TEMPERATURE FOR 10 SECONDS IN A CONVECTION, INFRA-RED OR
VAPOR PHASE REFLOW OVEN.
- ⑧ THIS PRODUCT MEETS EUROPEAN UNION DIRECTIVES AND OTHER
COUNTRY REGULATIONS AS DESCRIBED IN GS-22-008.
- ⑨ PART NUMBERS ENDING IN "LF" MEANS FOR NOTE 8 LEAD .
FREE IDENTIFICATION.
10. A $\triangle C$ SYMBOL WILL BE NEXT TO ANY DIMENSION, VIEW, OR NOTE
WHICH HAS BEEN MODIFIED WITH THE CURRENT DRAWING REVISION.



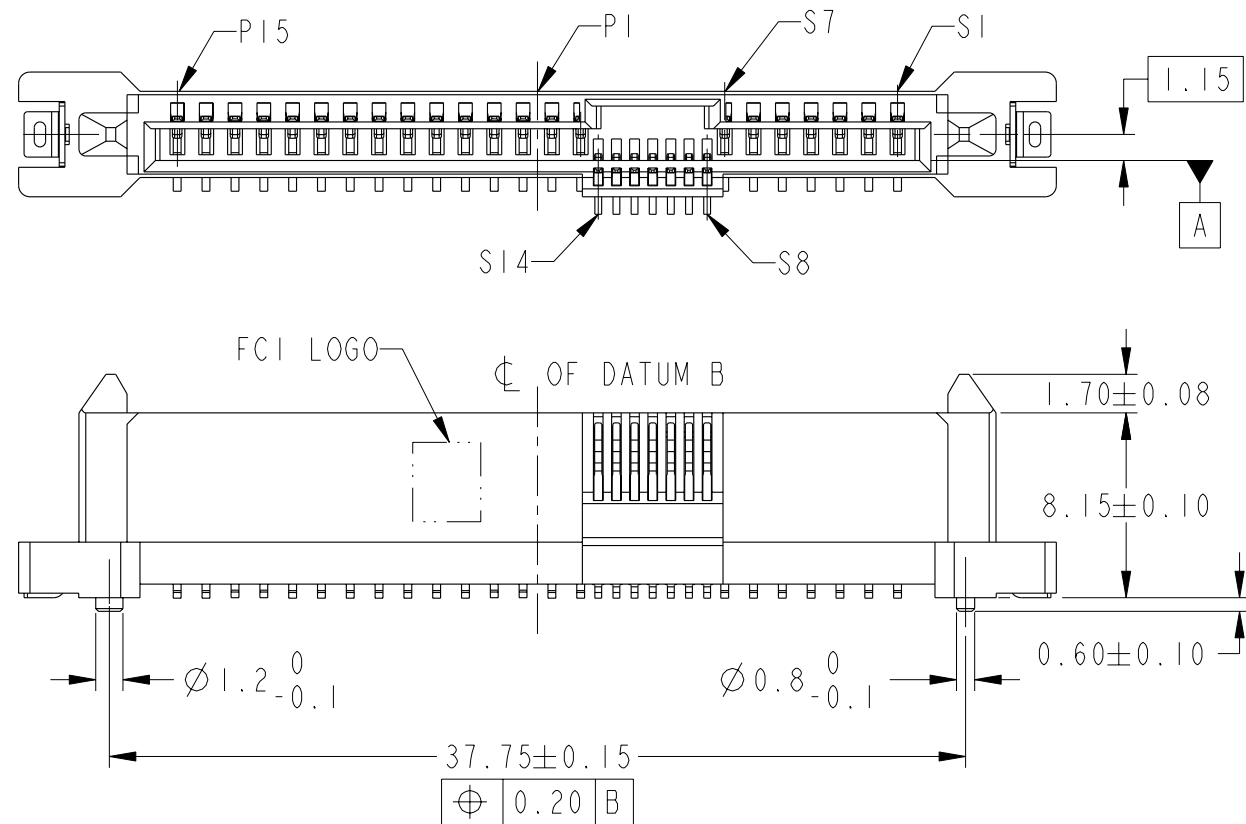
DETAIL 2
SCALE 6:1

spec ref	-	dr	GL LOO	2007-03-06	projection	MM	size	A3	scale	3:1	
tolerance std	ISO 406 ISO 1101	eng	GL LOO	2007-03-06			ecn no	S10-0228			
TOLERANCES UNLESS OTHERWISE SPECIFIED		chr	GL LOO	2010-10-28			product family	SAS	rel level	-	
surface	ISO 1302	appr	JOEY NG	2010-10-28			dwg no	10077259		rev	C
linear	0.X ± - 0.XX ±0.20 0.XXX ± -				SAS RECEPTACLE VERTICAL SMT TYPE ASSY		Product - Customer Drw		sheet 2 of 3		
angular	0° ±2°	www.fci.com			cat. no.	-	PDS: Rev :C		STATUS:Released Printed: Nov 01, 2011		



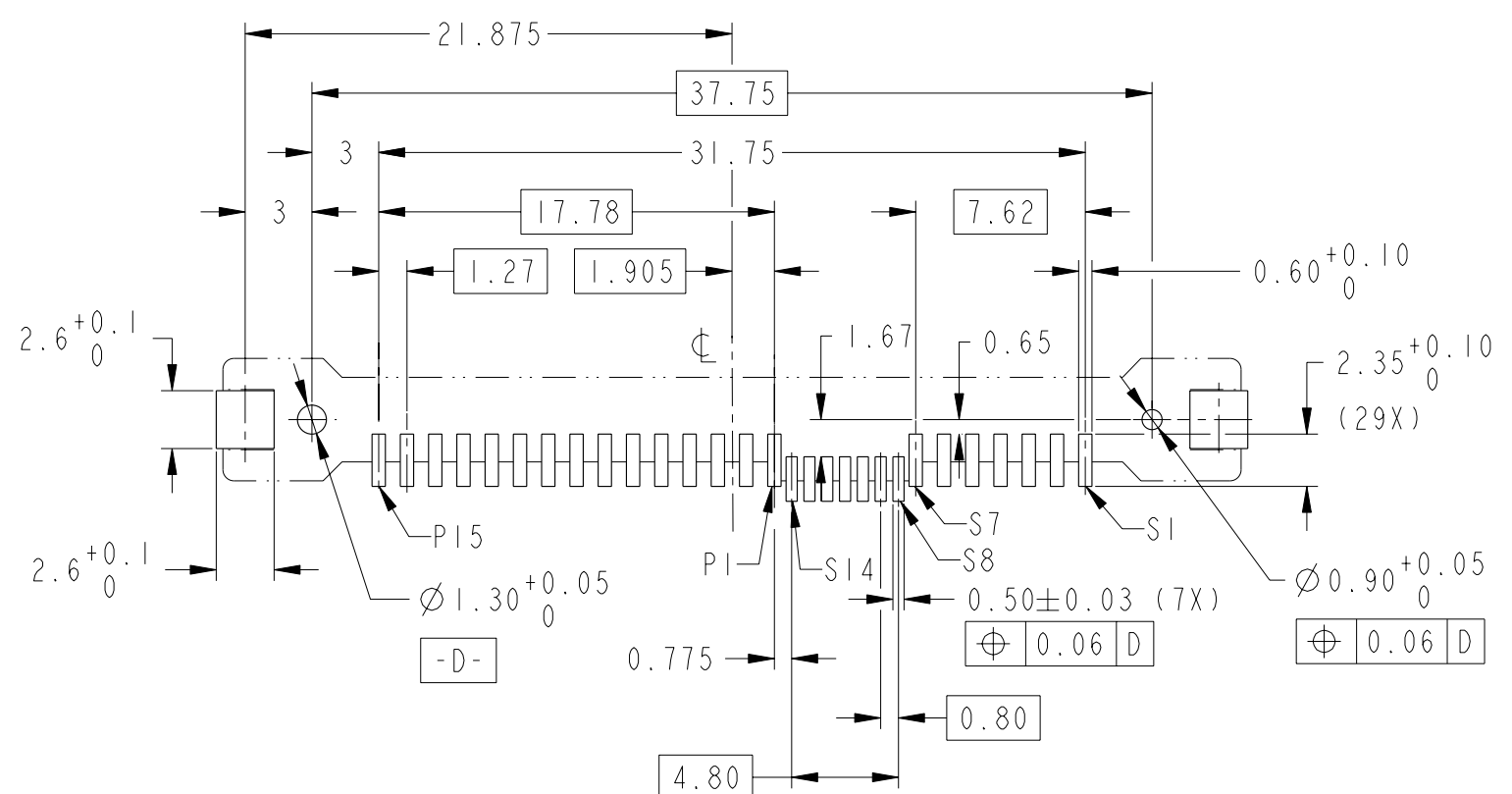
Copyright FCI.

PRODUCT NO	METAL CLIP	REMARKS
10077259-002LF	2 PCS	NOTES ⑧ & ⑨
10077259-002CLF		NOTES ④, ⑧ & ⑨
10077259-002C-TRLF		NOTE ④, ⑥, ⑧ & ⑨

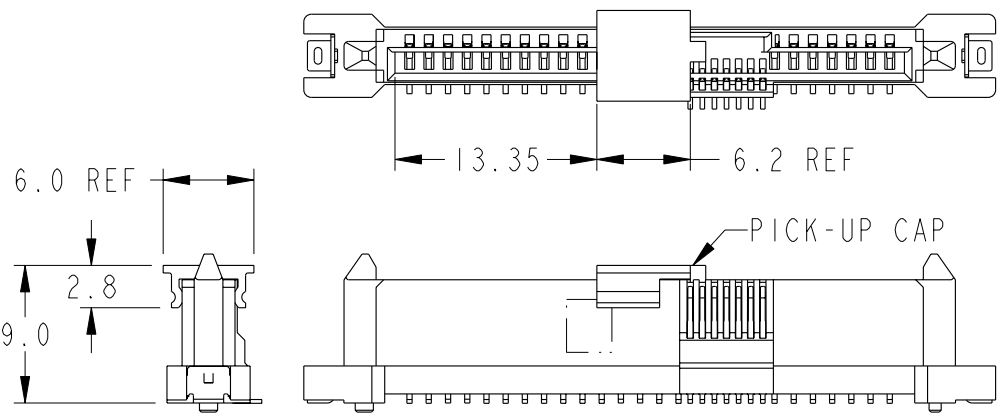


NOTES:
ALL OTHER DIMENSIONS, REFER TO SHEET 1.

RECOMMENDED PCB LAYOUT



Copyright FCI.



PART WITH PICK-UP CAP, SEE NOTE ④
SCALE 2:1

spec ref	-	dr	GL LOO	2007-03-06	projection	MM	size	A3	scale	3:1
tolerance std	ISO 406 ISO 1101	eng	GL LOO	2007-03-06			ecn no	S10-0228	rel level	-
TOLERANCES UNLESS OTHERWISE SPECIFIED		chr	GL LOO	2010-10-28						
surface	✓	appr	JOEY NG	2010-10-28	SAS RECEPTACLE VERTICAL SMT TYPE ASSY		dwg no	10077259	rev	C
ISO 1302	linear angular	0.X 0.XX 0.XXX	± ±0.20 ±	www.fci.com	cat. no.	-	Product - Customer Drw	sheet 3 of 3		