



Chipsmall Limited consists of a professional team with an average of over 10 year of expertise in the distribution of electronic components. Based in Hongkong, we have already established firm and mutual-benefit business relationships with customers from,Europe,America and south Asia,supplying obsolete and hard-to-find components to meet their specific needs.

With the principle of “Quality Parts,Customers Priority,Honest Operation,and Considerate Service”,our business mainly focus on the distribution of electronic components. Line cards we deal with include Microchip,ALPS,ROHM,Xilinx,Pulse,ON,Everlight and Freescale. Main products comprise IC,Modules,Potentiometer,IC Socket,Relay,Connector.Our parts cover such applications as commercial,industrial, and automotives areas.

We are looking forward to setting up business relationship with you and hope to provide you with the best service and solution. Let us make a better world for our industry!



Contact us

Tel: +86-755-8981 8866 Fax: +86-755-8427 6832

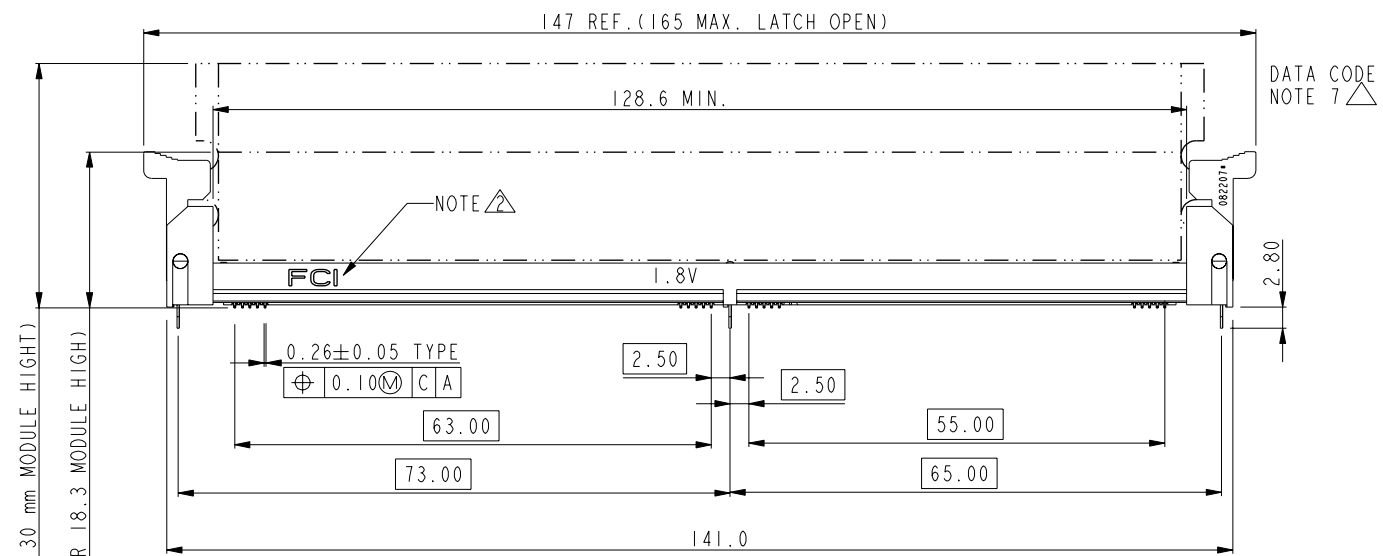
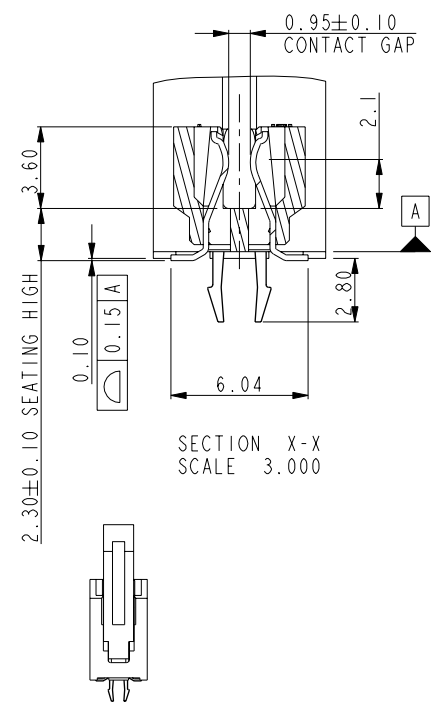
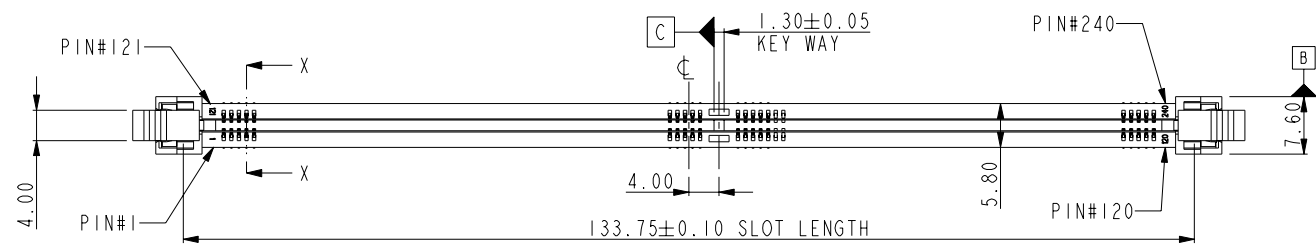
Email & Skype: info@chipsmall.com Web: www.chipsmall.com

Address: A1208, Overseas Decoration Building, #122 Zhenhua RD., Futian, Shenzhen, China





Copyright FCI.



32.30 REF. (FOR 30 mm MODULE HEIGHT)
 20.6 REF. (FOR 18.3 MODULE HIGH)

SCALE 1.000

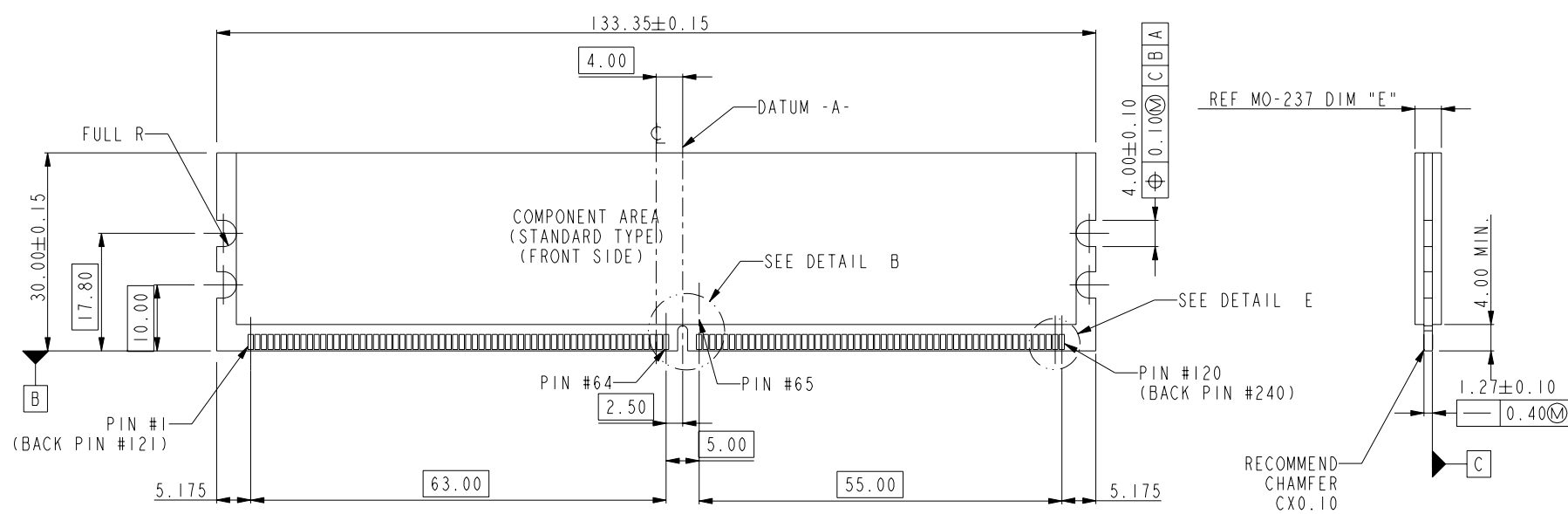
rev	ecn no	dr	date
A	DG07-0466	CS	11/22/07'
B	DG08-0248	BL	09/10/08'
C	DG09-0040	BL	02/19/09'
D	DG09-0094	BL	03/26/09'
E	N10-0076	R.B	2010-04-30

www.fciconnect.com		surface <input checked="" type="checkbox"/>	tolerance std	projection	MM
		TOLERANCES UNLESS OTHERWISE SPECIFIED			
Dr	MAGGIE WU	07/14/06	ANGULAR	size	Scale
Eng	GARY HSIEH	07/14/06	LINEAR	A4	0.707
Chr	PAUL WANG	07/14/06	0° ±°	ECN	N10-0076
Appr	JOSEPH HSIA	07/14/06	Product family	Spec ref	*
FCI logo		title SMT TYPE DDR II ASS'Y		dwg no	10080289
		DDR II 240P		Rev.	E
		catalog no		CUSTOMER	sheet 1 of 4

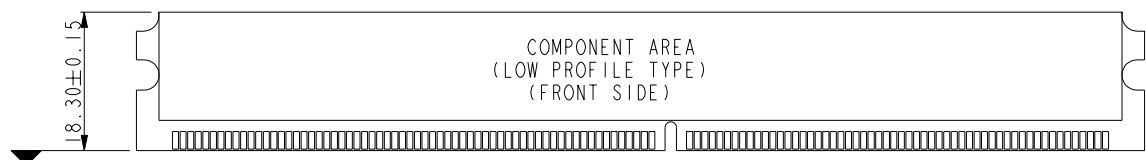
REV F - 2006-04-11



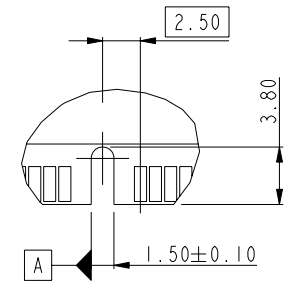
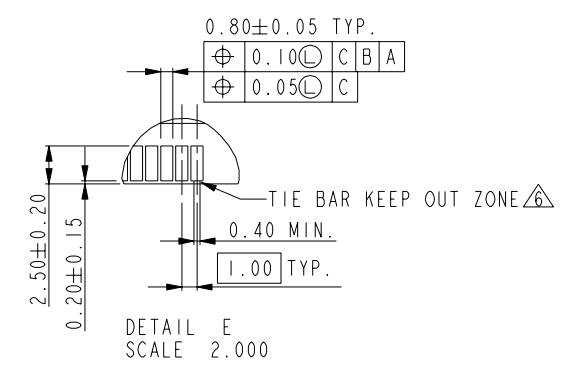
Copyright FCI.



REFERENCE ONLY-SEE MO-237 FOR DETAIL (VARIATION AB, BB, CB)



REFERENCE ONLY-SEE MO-237 FOR DETAIL (VARIATION DB, EB, FB, GB)



DETAIL B
SCALE 2.000

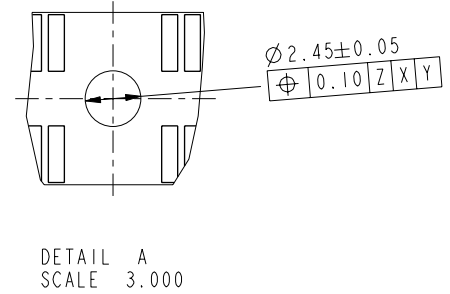
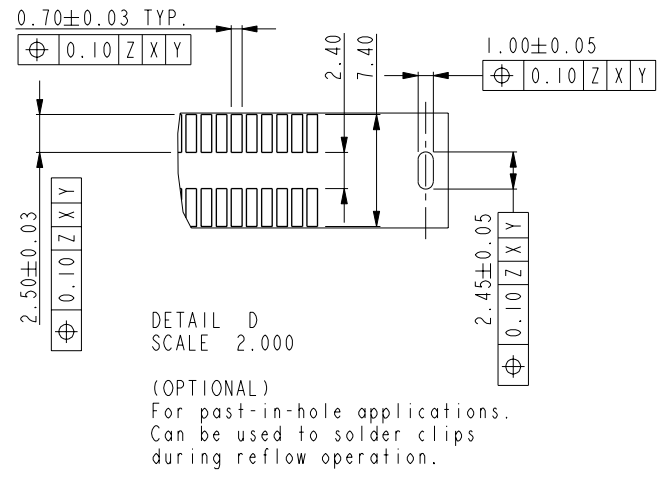
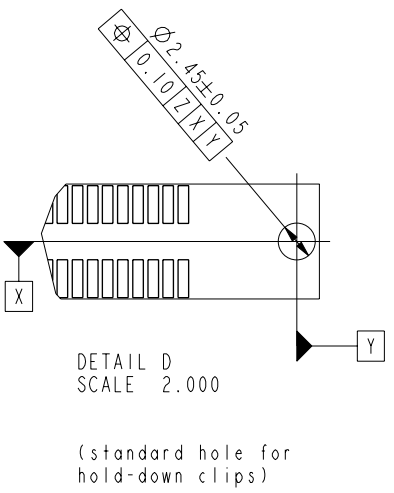
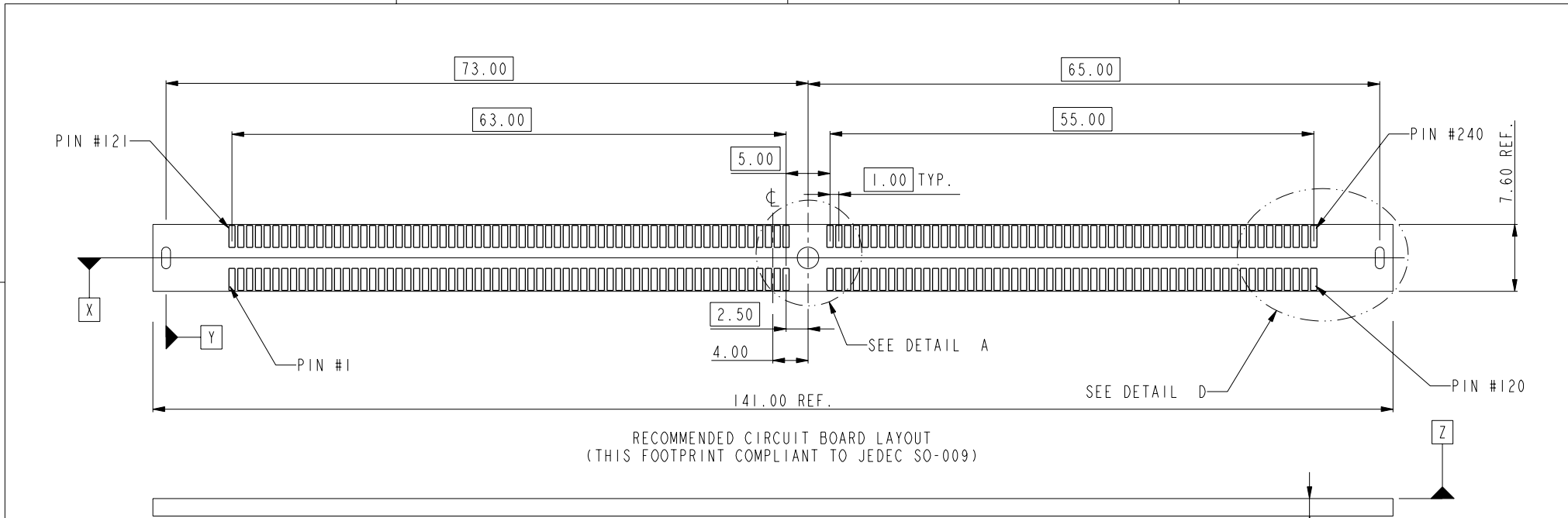
	title	SMT TYPE DDR II ASS'Y	dwg no	10080289	Rev.	E
		DDR II 240P				
	catalog no	-	CUSTOMER	sheet 2 of 4		



Copyright FCI.

A
B
C
D

A
B
C
D



PCB THK ± 0.15 mm



title	SMT TYPE DDR II ASS'Y		dwg no	10080289	Rev.	E
	DDR II 240P					
catalog no	-	CUSTOMER	sheet 3 of 4			

10080289 - □ □ □ □

STYLE : MECHANICAL KEYING

1 : 1.8 VOLT. W/ CENTER KEY

HOLD DOWN TYPE

0 : THREE FORK HOLD DOWN TYPE

PLATING

CODE	CONTACT	SOLDERTAIL	UNDERPLATE
1LF	10u" (0.25um) MIN. GOLD	100u" (2.54um) MIN. 100% MATT TIN	50u" (1.27um) MIN. NICKEL OVERALL
2LF	15u" (0.38um) MIN. GOLD		
3LF	30u" (0.76um) MIN. GOLD		
4LF	GOLD FLASH		

RESERVED

0

COLOR OF HOUSING AND EJECTOR

0 : BLACK HOUSING + IVORY EJECTOR

NOTES:

- MATERIAL:
HOUSING: HIGH PERFORMANCE RESINS, GLASS FILLED UL94V-0 RATED.
EJECTOR: HIGH PERFORMANCE RESINS, GLASS FILLED UL94V-0 RATED.
TERMINAL: HIGH PERFORMANCE COPPER ALLOY
METAL CLIP: COPPER ALLOY.
- FCI LOGO TO BE APPROXIMATELY LOCATED AS SHOWN ON PRINT.
- PRODUCT SPECIFICATION: GS-12-251.
- PACKAGING SPECIFICATION: GS-14-899.
- RECOMMENDED STENCIL THICKNESS NO LESS THAN 0.15 mm.
- FOR OPTIMUM PERFORMANCE, THE TIE BAR IS TO BE ON AN INTERNAL LAYER SO THAT THE REMNANT CANNOT CAUSE CONTACT DAMAGE.
- THE DATE CODE IS SHOWN "MM-DD-YY*": "*" MEANS PRODUCTION LINE.
- THIS PRODUCT MEETS EUROPEAN UNION DIRECTIVES AND OTHER COUNTRY REGULATIONS AS DESCRIBED IN GS-22-008.
- THE HOUSING WILL WITH STAND EXPOSURE TO 260°C PEAK TEMPERATURE FOR 10 SECONDS IN AN IR REFLOW SOLDERING APPLICATION.
- PRODUCT APPLICATION SPEC GS-20-089.



Copyright FCI.

	title	SMT TYPE DDR II ASS'Y	dwg no	10080289	Rev.	E
	catalog no	DDR II 240P		-		CUSTOMER