



Chipsmall Limited consists of a professional team with an average of over 10 year of expertise in the distribution of electronic components. Based in Hongkong, we have already established firm and mutual-benefit business relationships with customers from,Europe,America and south Asia,supplying obsolete and hard-to-find components to meet their specific needs.

With the principle of “Quality Parts,Customers Priority,Honest Operation,and Considerate Service”,our business mainly focus on the distribution of electronic components. Line cards we deal with include Microchip,ALPS,ROHM,Xilinx,Pulse,ON,Everlight and Freescale. Main products comprise IC,Modules,Potentiometer,IC Socket,Relay,Connector.Our parts cover such applications as commercial,industrial, and automotives areas.

We are looking forward to setting up business relationship with you and hope to provide you with the best service and solution. Let us make a better world for our industry!



## Contact us

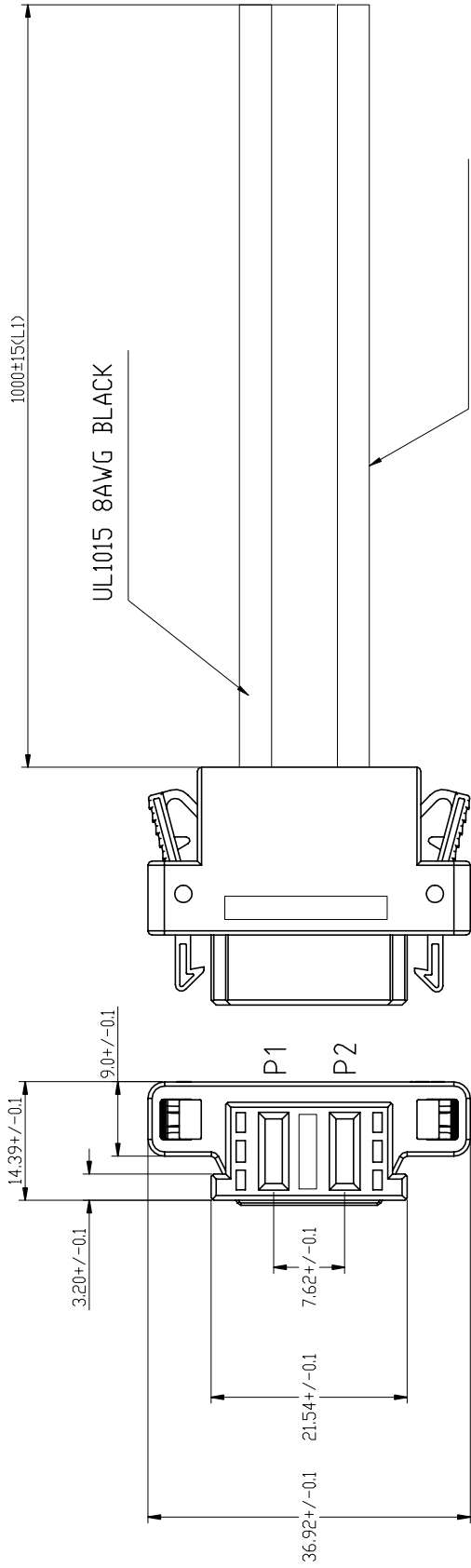
Tel: +86-755-8981 8866 Fax: +86-755-8427 6832

Email & Skype: info@chipsmall.com Web: www.chipsmall.com

Address: A1208, Overseas Decoration Building, #122 Zhenhua RD., Futian, Shenzhen, China



FCI P/N:  
10080594-1AD0078LF



Housing

HOUSING	WIRE
P1	8AWG BLACK
P2	8AWG RED

mat'l. code		surface	tolerance	projection	product family
ltr	ecn no	dr	date		C & A
A	N08-0208	W.W	09-05'08		title
					PWRBLD 2P .3" CABLE ASSEMBLY
					dwg no
					10080594-1AD0078LF
					sheet 1 of 2 size
					A3
					type CUSTOMER
sheet index	revision	A			
	sheet	1			

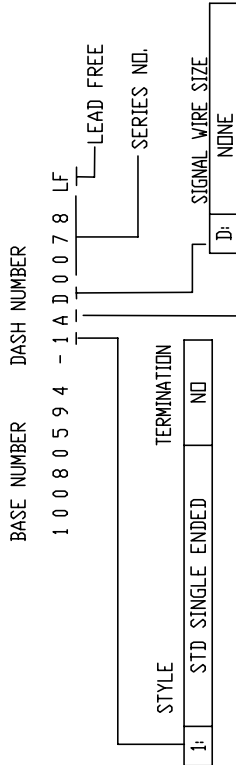


FCI P/N:  
10080594-1AD0078LF

NOTES:

- ① END 'HOUSING' MATES WITH FCI HEADER PART NUMBER 51939-198LF.
- ② UNLESS OTHERWISE SPECIFIED ASSEMBLED LENGTH TOLERANCE =
  - < = 1 METER: ±15.0mm
  - > 1 METER TO 10 METER: ±2% OF L1
  - > 10 METER: +0.00% / -4% OF L1

3. PART NUMBER DESCRIPTION:



SEE NOTE 7 AND 8

- ④ UNLESS OTHERWISE SPECIFIED LABEL POSITION SHALL BE APPROXIMATELY 50mm FROM REAR OF CONNECTOR.
- ⑤ UNLESS OTHERWISE SPECIFIED STANDARD LABEL SHALL BE BRADY LABEL P/N TH1-10-427-3.  
 LABEL DETAILS:  
 - MANUFACTURER CODE OR NAME  
 - FCI P/N  
 - REVISION  
 - DATE CODE WW/YY FORMAT  
 - COUNTRY ORIGIN  
 FONT SHALL BE CLEARLY VISABLE AND BLACK IN COLOR.

- ⑥ ALL CABLE ASSEMBLIES SHALL BE TESTED 100% FOR CONTINUITY AS DEFINED IN WIRING LIST.
- 7. UNLESS OTHERWISE SPECIFIED ALL CABLE ASSEMBLIES SHALL BE 100% HI-POT TESTED BY APPLYING 300V DC FOR MINIMUM OF 10ms, UNLESS ACTIVE COMPONENTS ARE USED IN THIS ASSEMBLY.
- 8. OTHER TESTING PERFORMED AS REQUIRED BY PRODUCT SPECIFICATION: GS-XX-XXX.
- 9. ALL CUSTOMER DRAWINGS ARE SUPPLIED WITH METRIC DIMENSIONS.
- ⑩ LEAD FREE PRODUCTS MEET EUROPEAN UNION DIRECTIVES AND OTHER COUNTRY REGULATIONS AS DESCRIBED IN GS-22-008.  
 PACKAGING OF LEAD FREE PRODUCTS MEETS LABELING AND PACKAGING SPECIFICATION GS-14-920.
- ⑪ CONNECTOR ASSEMBLIES SHOWN ARE FOR REFERENCE ONLY AND MAY NOT SHOW ALL PART DETAIL. REFERENCE CONNECTOR HOUSING DRAWINGS FOR COMPLETE DETAILS.
- 12. GLOBAL STANDARDS FOR CABLE PACKAGING: GS-14-1093.
- ⑬ THIS DIMENSION IS A FINISHED PRODUCT LENGTH.

14. CABLE: UL APPROVED, TEMPERATURE RATING 105°C, 120V MIN. HOUSING: HIGH TEMP. THERMOPLASTIC, UL94V-0 GLASS FILLED, COLOR: BLACK  
 POWER CONTACTS: COPPER ALLOY

mat'l. code		surface	tolerance	projection	product family
ltr	ecn no	dr	date	tolerances unless otherwise specified	title
A	N08-0208	W.W	09-05'08	angles	PWRBLD 2P .3" CABLE ASSEMBLY
				linear	
		dr	Wilson.W	scale	dwg no
		enfr	Wilson.W		10080594-1AD0078LF
		chr	Wilson.W		sheet 2 of 2 size
		appp	Jackson		A3
sheet	revision	A			type
index	sheet	2			CUSTOMER