



Chipsmall Limited consists of a professional team with an average of over 10 year of expertise in the distribution of electronic components. Based in Hongkong, we have already established firm and mutual-benefit business relationships with customers from,Europe,America and south Asia,supplying obsolete and hard-to-find components to meet their specific needs.

With the principle of “Quality Parts,Customers Priority,Honest Operation,and Considerate Service”,our business mainly focus on the distribution of electronic components. Line cards we deal with include Microchip,ALPS,ROHM,Xilinx,Pulse,ON,Everlight and Freescale. Main products comprise IC,Modules,Potentiometer,IC Socket,Relay,Connector.Our parts cover such applications as commercial,industrial, and automotives areas.

We are looking forward to setting up business relationship with you and hope to provide you with the best service and solution. Let us make a better world for our industry!



Contact us

Tel: +86-755-8981 8866 Fax: +86-755-8427 6832

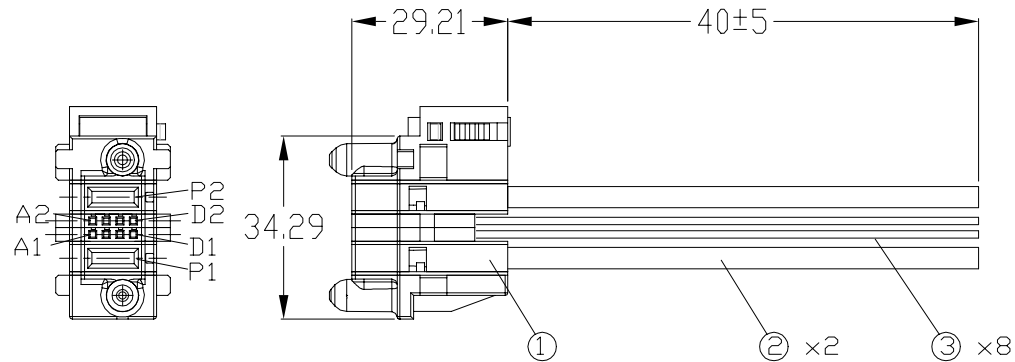
Email & Skype: info@chipsmall.com Web: www.chipsmall.com

Address: A1208, Overseas Decoration Building, #122 Zhenhua RD., Futian, Shenzhen, China



PRODUCT NUMBER
NOTE 3

10080594-4KB0549LF



END 1
FCI P/N:10129998-001

wiring list

END1	WIRE SPEC.
P1	12AWG WIRE,UL1015,BLACK
P2	12AWG WIRE,UL1015,BLACK
A1	24AWG WIRE,UL1007,BLUE
B1	24AWG WIRE,UL1007,BLUE
C1	24AWG WIRE,UL1007,BLUE
D1	24AWG WIRE,UL1007,BLUE
A2	24AWG WIRE,UL1007,BLUE
B2	24AWG WIRE,UL1007,BLUE
C2	24AWG WIRE,UL1007,BLUE
D2	24AWG WIRE,UL1007,BLUE

No.	DESCRIPTION	QTY	UNIT
3	24AWG WIRE,UL1007,BLUE	AR	M
2	12AWG WIRE,UL1015,BLACK	AR	M
1	1P8S1P STL PM RECEPTACLE HOUSING KIT	1	EA

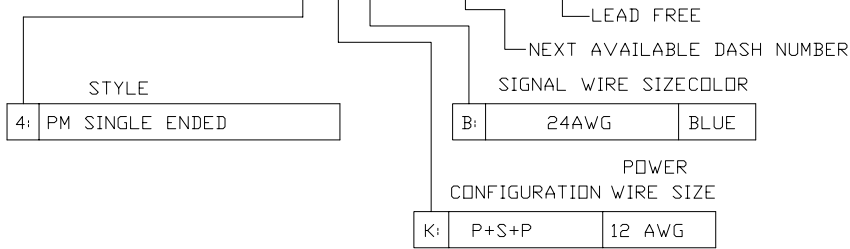
spec ref	-	dr	William He	2014-07-25	projection	mm	size	A3	scale	N/A
tolerance std	TOLERANCES UNLESS OTHERWISE SPECIFIED	eng	William He	2014-07-25			ech no	-		
-		chr	Guo-Feng Jin	2014-07-25	product family	rel level				
-		appr	Guo-Feng Jin	2014-07-25						
surface	linear	0.X	± -	FCJ	title	Pwrblade 1P8S1P STL PM RECEPTACLE CABLE ASSEMBLY	dwg no	10080594-4KB0549LF	rev	A
-		0.XX	± 0.25							
-	angular	0~	± -'							
		www.fci.com	cat. no.	-	Customer Drawing		sheet 1 of 2			

NOTES:

- 1. END1 MATE WITH FCI HEADER PART NUMBER ****
- 2. UNLESS OTHERWISE SPECIFIED ASSEMBLED LENGTH TOLERANCE =
 < 1 METER:±15.0mm
 1 METER TO 10 METER:±2% OF "DIM L"
 > 10 METER:+0.00%-4% OF "DIM L"
- 3. PART NUMBER DESCRIPTION:

BASE NUMBER DASH NUMBER

1 0 0 8 0 5 9 4 - 4 K B 0 5 4 9 L F



- 4. ALL CABLE ASSEMBLIES SHALL BE TESTED 100% FOR CONTINUITY AS DEFINED IN WIRING LIST.
- 5. UNLESS OTHERWISE SPECIFIED ALL CABLE ASSEMBLIES SHALL BE 100% HI-POT TESTED BY APPLYING 300V DC FOR MINIMUM OF 10ms, DIELECTRIC RESISTANCE 10MΩ MIN. CONNECTION RESISTANT 1.0Ω MAX. UNLESS ACTIVE COMPONENTS ARE USED IN THIS ASSEMBLY
- 6. ALL CUSTOMER DRAWINGS ARE SUPPLIED WITH METRIC DIMENSIONS.
- 7. LEAD FREE PRODUCTS MEET EUROPEAN UNION DIRECTIVES AND OTHER COUNTRY REGULATIONS AS DESCRIBED IN GS-47-0004.

LEAD FREE SOLDER TAIL PLATING 2.00um (80u") MIN. MATTE TIN OVER 1.27um (50u") MIN. NICKEL UNDERPLATE.

PACKAGING OF LEAD FREE PRODUCTS MEETS LABELING AND PACKAGING SPECIFICATION GS-14-920.
- 8. CONNECTOR ASSEMBLIES SHOWN ARE FOR REFERENCE ONLY AND MAY NOT SHOW ALL PART DETAIL. REFERENCE CONNECTOR HOUSING DRAWINGS FOR COMPLETE DETAILS.
- 9. GLOBAL STANDARDS FOR CABLE PACKAGING: GS-14-1093.
- 10. THIS DIMENSION IS A FINISHED PRODUCT LENGTH.
- 11. CABLE: UL APPROVED
HOUSING: HIGH TEMP. THERMOPLASTIC, UL94V-0 GLASS FILLED,
COLOR: BLACK
POWER CONTACTS: COPPER ALLOY



Copyright FCI

spec ref	-	dr	William He	2014-07-25	projection		size	A3	scale	N/A													
tolerance std	TOLERANCES UNLESS OTHERWISE SPECIFIED	eng	William He	2014-07-25	product family		ecn no	-															
-		chr	Guo-Feng Jin	2014-07-25			rel level	-															
		appr	Guo-Feng Jin	2014-07-25																			
surface	<table border="1"> <tr> <td>linear</td> <td>0.X</td> <td>± -</td> </tr> <tr> <td></td> <td>0.XX</td> <td>± 0.25</td> </tr> <tr> <td></td> <td>0.XXX</td> <td>± -</td> </tr> <tr> <td>angular</td> <td>0~</td> <td>± -'</td> </tr> </table>	linear	0.X	± -		0.XX	± 0.25		0.XXX	± -	angular	0~	± -'		title	Pwrblade 1P8S1P STL PM RECEPTACLE CABLE ASSEMBLY			dwg no	10080594-4KB0549LF		rev	A
linear	0.X	± -																					
	0.XX	± 0.25																					
	0.XXX	± -																					
angular	0~	± -'																					
-		www.fci.com	cat. no.	-	Customer Drawing			sheet 2 of 2															