



Chipsmall Limited consists of a professional team with an average of over 10 year of expertise in the distribution of electronic components. Based in Hongkong, we have already established firm and mutual-benefit business relationships with customers from,Europe,America and south Asia,supplying obsolete and hard-to-find components to meet their specific needs.

With the principle of "Quality Parts,Customers Priority,Honest Operation,and Considerate Service",our business mainly focus on the distribution of electronic components. Line cards we deal with include Microchip,ALPS,ROHM,Xilinx,Pulse,ON,Everlight and Freescale. Main products comprise IC,Modules,Potentiometer,IC Socket,Relay,Connector.Our parts cover such applications as commercial,industrial, and automotives areas.

We are looking forward to setting up business relationship with you and hope to provide you with the best service and solution. Let us make a better world for our industry!



Contact us

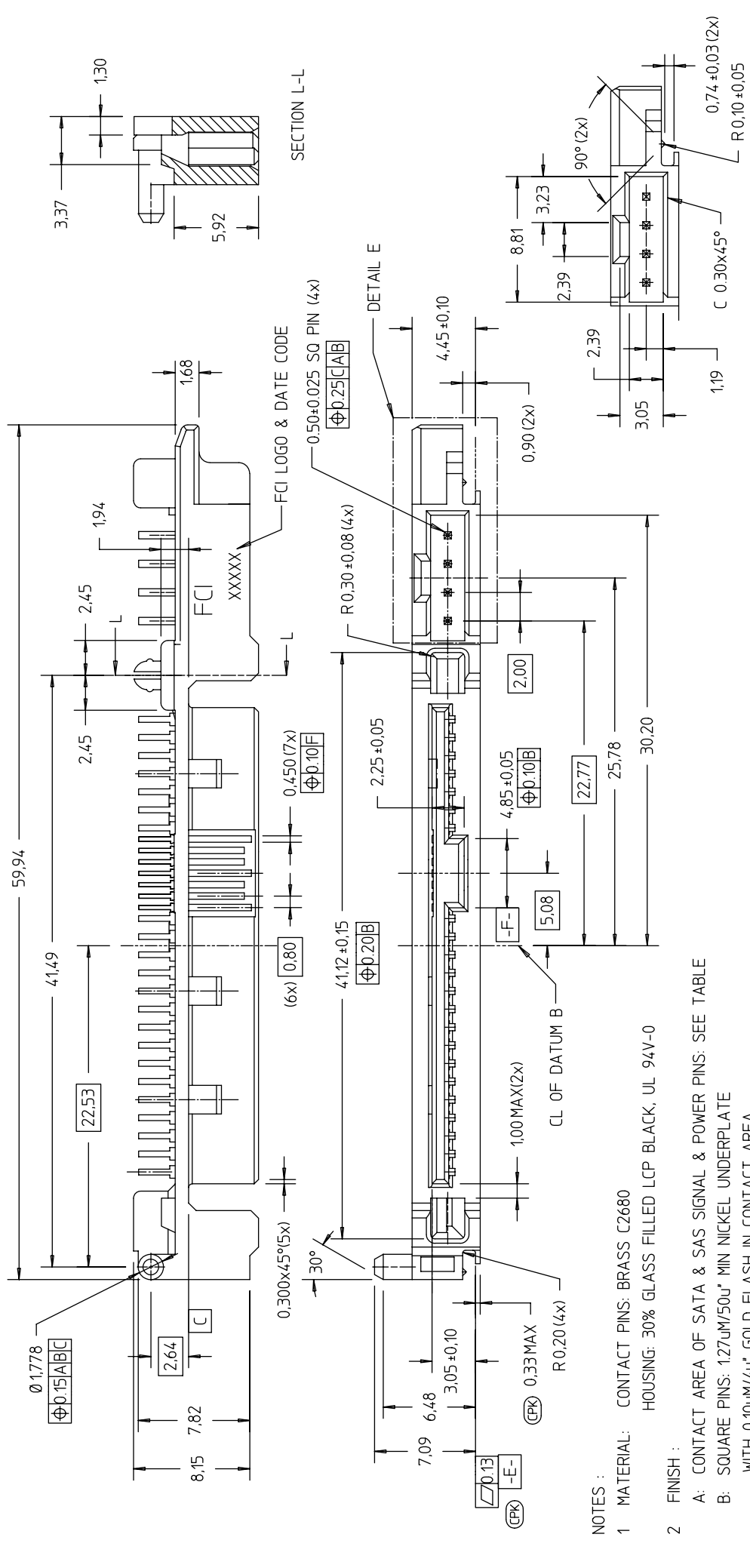
Tel: +86-755-8981 8866 Fax: +86-755-8427 6832

Email & Skype: info@chipsmall.com Web: www.chipsmall.com

Address: A1208, Overseas Decoration Building, #122 Zhenhua RD., Futian, Shenzhen, China



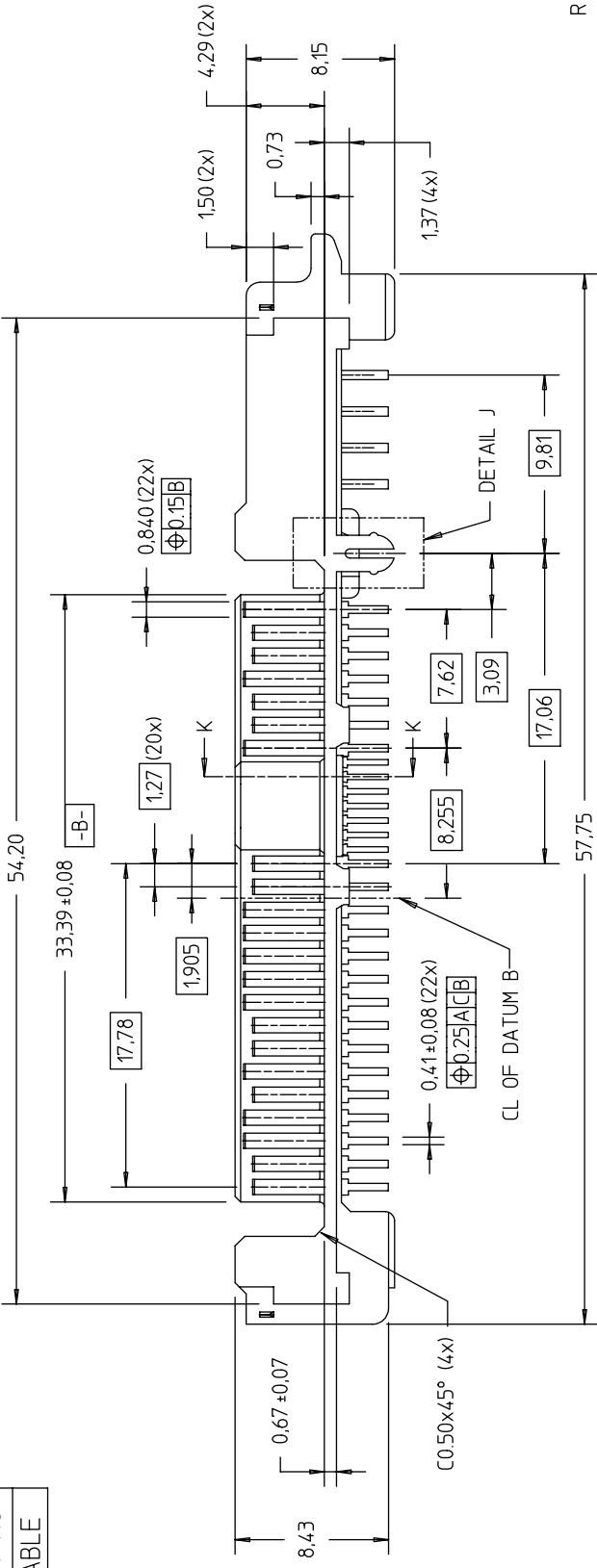
PRODUCT NO	CONTACT AREA PLATING	CUSTOMER P/N
10082443-001LF	1.27µM/50µ" MIN NICKEL UNDERPLATING WITH 0.127µM/5µ" GOLD	2041-771106-X00
10082443-002LF	1.27µM/50µ" MIN NICKEL UNDERPLATING WITH 0.76µM/30µ" GOLD	2041-771106-X01



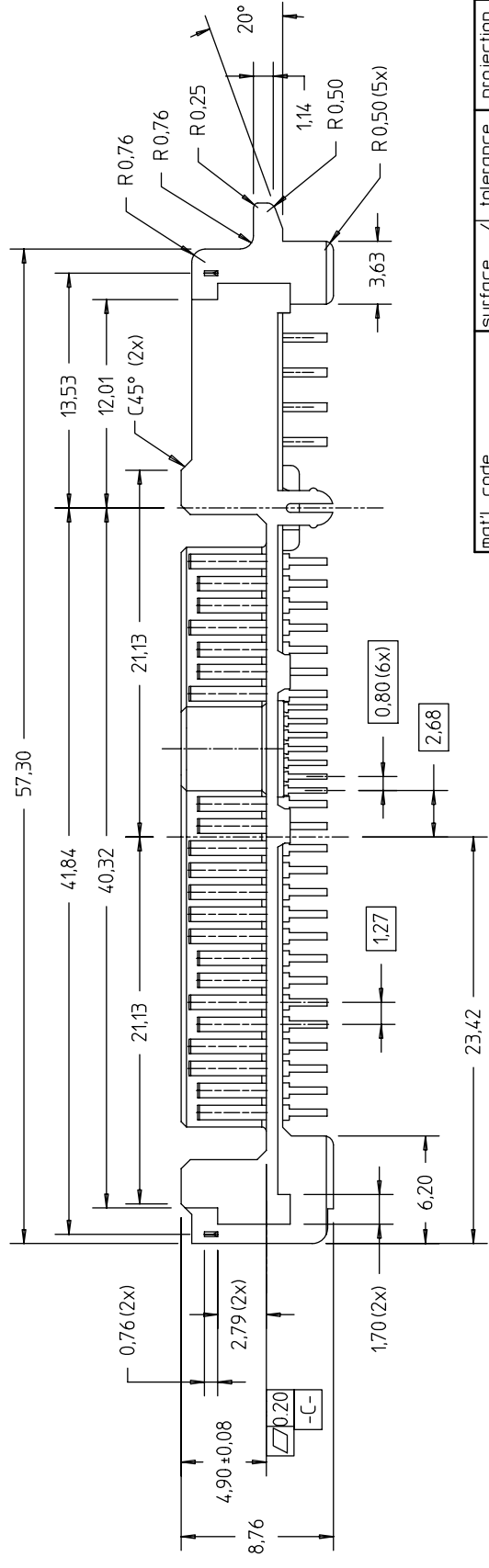
- NOTES :
- MATERIAL: CONTACT PINS: BRASS C2680
HOUSING: 30% GLASS FILLED LCP BLACK, UL 94V-0
 - FINISH :
A: CONTACT AREA OF SATA & SAS SIGNAL & POWER PINS: SEE TABLE
B: SQUARE PINS: 1.27µM/50µ" MIN NICKEL UNDERPLATE WITH 0.10µM/4µ" GOLD FLASH IN CONTACT AREA
C: SOLDER TAIL: 1.91µM/75µ" MIN LEAD FREE (100%) MATTIE TIN
 - PIN RETENTION FORCE: 1.2 LBS MIN PER PIN BEFORE AND AFTER EXPOSURE TO REFLOW (245°C) TEMPERATURE
 - CRITICAL DIMENSIONS; SPC REQUIRED
 - PACKAGING: 44 PCS PER TRAY, 572 PCS PER BOX
 - THIS PRODUCT MEETS EUROPEAN UNION DIRECTIVES AND OTHERY COUNTRY REGULATIONS AS DESCRIBED IN GS-22-008
 - THIS HOUSING WILL WITHSTAND EXPOSURE TO 260°C TEMPERATURE FOR 10 SECONDS IN A CONVECTION, INFRA-RED OR VAPOR PHASE REFLOW OVEN

mat'l. code		surface	tolerance	projection	product family
tr	ecn no	ISO 1302	ISO 406 ISO 1101	ASME Y14.5	SAS PLUG
A	S08-0078	tolerances unless otherwise specified	x.xx ± 0.25	mm	title
B	S08-0106	angles	x.xxx ± 0.13	mm	2.5" SAS PLUG
C	S09-0134	3°	x.xxx ± 0.05	SCALE 2.5 : 1	
dr					dwg no 10082443
engr	R. CRASTA	2008-03-19			sheet 1 of 4 size A4
chr	R. CRASTA	2009-04-28			CUSTOMER Drawing
appd	JOEY NG	2009-04-28			
sheet index	revision				
	sheet				

PRODUCT NO
SEE TABLE

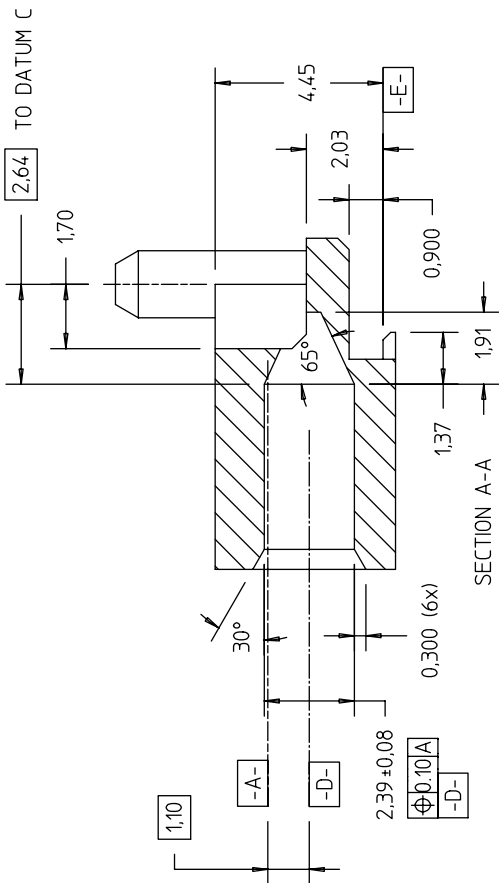
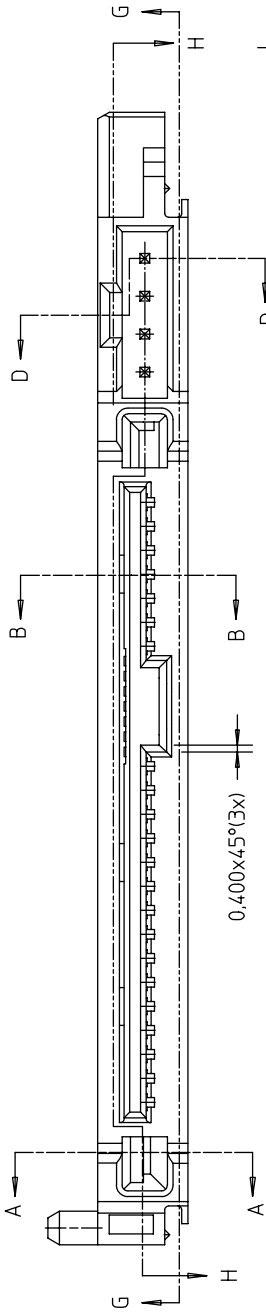


SECTION K-K

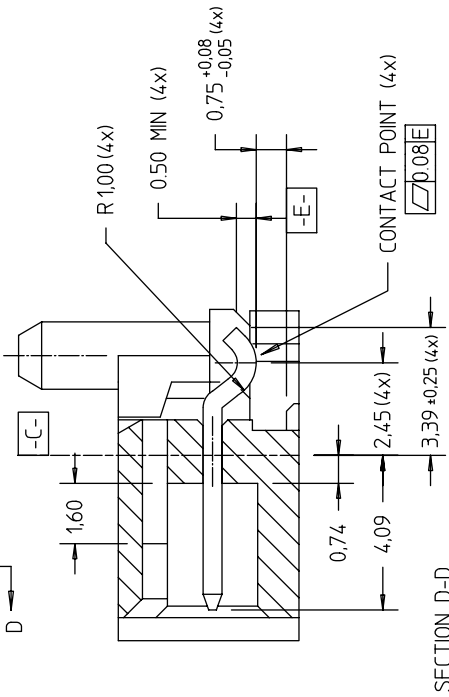


mat'l. code		surface		tolerance		projection		product family	
ISO 1302		ISO 406 ISO 1101		AS PLUG		SAS PLUG		title	
tolerances unless otherwise specified		linear		SCALE		2.5" SAS PLUG		dwg no	
angles		R. CRASTA		2008-03-19		sheet 2 of 4		size	
A		R. CRASTA		2009-04-28		10082443		A4	
B		R. CRASTA		2009-04-28		CUSTOMER		Drawing	
C		JOEY NG		2009-04-28		type		Drawing	
sheet index		revision		sheet		index		sheet	
1		1		1		1		1	

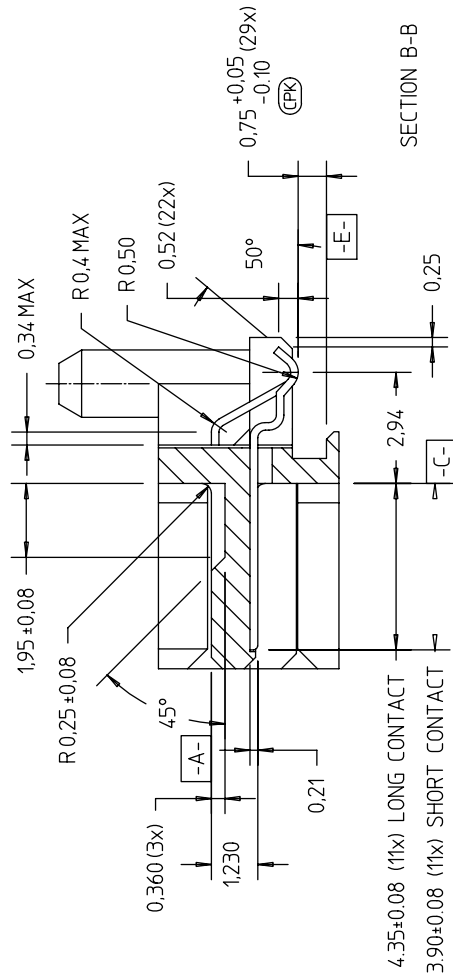
PRODUCT NO
SEE TABLE



SECTION A-A

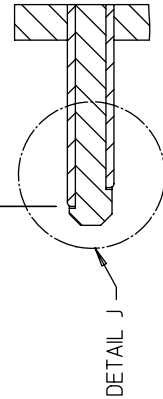


SECTION D-D



SECTION B-B

3.90±0.08 (4x) SHORT CONTACT
4.40±0.08 (3x) LONG CONTACT



SECTION C-C

DETAIL J

mat'l. code		surface	tolerance	projection	product family
tr	ecn no	ISO 1302	ISO 406 ISO 1101	ASME Y14.5	SAS PLUG
A		tolerances unless otherwise specified		1st angle	title
B		angles	linear	SCALE	2.5" SAS PLUG
C					
dr		R. CRASTA	2008-03-19		dwg no
engr		R. CRASTA	2009-04-28		10082443
chr		R. CRASTA	2009-04-28		sheet 3 of 4
appd		JOEY NG	2009-04-28		A4
sheet index	revision	sheet		type	CUSTOMER Drawing

